



Explosion-proof Dome

Quick Start Guide

Quick Start Guide

© 2021 Hangzhou Hikvision Digital Technology Co., Ltd. All rights reserved.

This Manual is the property of Hangzhou Hikvision Digital Technology Co., Ltd. or its affiliates (hereinafter referred to as “Hikvision”), and it cannot be reproduced, changed, translated, or distributed, partially or wholly, by any means, without the prior written permission of Hikvision. Unless otherwise expressly stated herein, Hikvision does not make any warranties, guarantees or representations, express or implied, regarding to the Manual, any information contained herein.

About this Manual

This manual is applicable to Explosion-proof Dome.

The Manual includes instructions for using and managing the product. Pictures, charts, images and all other information hereinafter are for description and explanation only. The information contained in the Manual is subject to change, without notice, due to firmware updates or other reasons. Please find the latest version of this Manual at the Hikvision website (<http://www.hikvision.com>).

Please use this Manual with the guidance and assistance of professionals trained in supporting the Product.

Trademarks Acknowledgement

- **HIKVISION** and other Hikvision’s trademarks and logos are the properties of Hikvision in various jurisdictions.
- Other trademarks and logos mentioned are the properties of their respective owners.

LEGAL DISCLAIMER

TO THE MAXIMUM EXTENT PERMITTED BY APPLICABLE LAW, THIS MANUAL AND THE PRODUCT DESCRIBED, WITH ITS HARDWARE, SOFTWARE AND FIRMWARE, ARE PROVIDED “AS IS” AND “WITH ALL FAULTS AND ERRORS”. HIKVISION MAKES NO WARRANTIES, EXPRESS OR IMPLIED, INCLUDING WITHOUT LIMITATION, MERCHANTABILITY, SATISFACTORY QUALITY, OR FITNESS FOR A PARTICULAR PURPOSE. THE USE OF THE PRODUCT BY YOU IS AT YOUR OWN RISK. IN NO EVENT WILL HIKVISION BE LIABLE TO YOU FOR ANY SPECIAL, CONSEQUENTIAL, INCIDENTAL, OR INDIRECT DAMAGES, INCLUDING, AMONG OTHERS, DAMAGES FOR LOSS OF BUSINESS PROFITS, BUSINESS INTERRUPTION, OR LOSS OF DATA, CORRUPTION OF SYSTEMS, OR LOSS OF DOCUMENTATION, WHETHER BASED ON BREACH OF CONTRACT, TORT (INCLUDING NEGLIGENCE), PRODUCT LIABILITY, OR OTHERWISE, IN CONNECTION WITH THE USE OF THE PRODUCT, EVEN IF HIKVISION HAS BEEN ADVISED OF THE POSSIBILITY OF SUCH DAMAGES OR LOSS.

YOU ACKNOWLEDGE THAT THE NATURE OF INTERNET PROVIDES FOR INHERENT SECURITY RISKS, AND HIKVISION SHALL NOT TAKE ANY RESPONSIBILITIES FOR ABNORMAL OPERATION, PRIVACY LEAKAGE OR OTHER DAMAGES RESULTING FROM CYBER-ATTACK, HACKER ATTACK, VIRUS INSPECTION, OR OTHER INTERNET SECURITY RISKS; HOWEVER, HIKVISION WILL PROVIDE TIMELY TECHNICAL SUPPORT IF REQUIRED.

YOU AGREE TO USE THIS PRODUCT IN COMPLIANCE WITH ALL APPLICABLE LAWS, AND YOU ARE SOLELY RESPONSIBLE FOR ENSURING THAT YOUR USE CONFORMS TO THE APPLICABLE LAW. ESPECIALLY, YOU ARE RESPONSIBLE, FOR USING THIS PRODUCT IN A MANNER THAT DOES NOT INFRINGE ON THE RIGHTS OF THIRD PARTIES, INCLUDING WITHOUT LIMITATION, RIGHTS OF PUBLICITY, INTELLECTUAL PROPERTY RIGHTS, OR DATA PROTECTION AND OTHER PRIVACY RIGHTS. YOU SHALL NOT USE THIS PRODUCT FOR ANY PROHIBITED END-USES, INCLUDING THE DEVELOPMENT OR PRODUCTION OF WEAPONS OF MASS DESTRUCTION, THE DEVELOPMENT OR PRODUCTION OF CHEMICAL OR BIOLOGICAL WEAPONS, ANY ACTIVITIES IN THE CONTEXT RELATED TO ANY NUCLEAR EXPLOSIVE OR UNSAFE NUCLEAR FUEL-CYCLE, OR IN SUPPORT OF HUMAN RIGHTS ABUSES.

IN THE EVENT OF ANY CONFLICTS BETWEEN THIS MANUAL AND THE APPLICABLE LAW, THE LATER PREVAILS.

05060020211231

Regulatory Information

FCC Information

Please take attention that changes or modification not expressly approved by the party responsible for compliance could void the user's authority to operate the equipment.

FCC compliance: This equipment has been tested and found to comply with the limits for a Class A digital device, pursuant to part 15 of the FCC Rules. These limits are designed to provide reasonable protection against harmful interference when the equipment is operated in a commercial environment. This equipment generates, uses, and can radiate radio frequency energy and, if not installed and used in accordance with the instruction manual, may cause harmful interference to radio communications. Operation of this equipment in a residential area is likely to cause harmful interference in which case the user will be required to correct the interference at his own expense.

FCC Conditions

This device complies with part 15 of the FCC Rules. Operation is subject to the following two conditions:

1. This device may not cause harmful interference.
2. This device must accept any interference received, including interference that may cause undesired operation.

EU Conformity Statement



This product and - if applicable - the supplied accessories too are marked with "CE" and comply therefore with the applicable harmonized European standards listed under the EMC Directive 2014/30/EU, the RoHS Directive 2011/65/EU and the ATEX Directive 2014/34/EU.



2012/19/EU (WEEE directive): Products marked with this symbol cannot be disposed of as unsorted municipal waste in the European Union. For proper recycling, return this product to your local supplier upon the purchase of equivalent new equipment, or dispose of it at designated collection points.

For more information, see: www.recyclethis.info.



2006/66/EC (battery directive): This product contains a battery that cannot be disposed of as unsorted municipal waste in the European Union. See the product documentation for specific battery information. The battery is marked with this symbol, which may include lettering to indicate cadmium (Cd), lead (Pb), or mercury (Hg). For proper recycling, return the battery to your supplier or to a designated collection point. For more information, see: www.recyclethis.info.

Industry Canada ICES-003 Compliance

This device meets the CAN ICES-3 (A)/NMB-3(A) standards requirements.

Warning:

This is a class A product. In a domestic environment this product may cause radio interference in which case the user may be required to take adequate measures.

Intended Use of the Dome

ATEX:  II 2G Ex db IIC T6 Gb / II 2D Ex tb IIIC T80°C Db

IECEX: Ex db IIC T6 Gb /Ex tb IIIC T80°C Db IP68

Hazardous Area Classification: Zone 1, Zone 2, Zone 21, Zone 22

IP Degree: IP68 (1m, 1h)

Ex Standards:

IEC 60079-0: 2017 EN IEC60079-0: 2018

IEC 60079-1: 2014 EN 60079-1: 2014

IEC 60079-31: 2013 EN 60079-31: 2014

Special Conditions for Safe Use

1. Repairs of the flameproof joints may only be made by the manufacturer or on behalf of the manufacturer and his own responsibility. Repair in compliance with the values of IEC 60079-1 is not accepted.
2. The earth connection facility shall be connected reliably.
3. Explosion-Proof Spherical Camera shall be installed to avoid a risk of ignition from electrostatic discharge.

Explosion-proof Dome Nameplate

<h1>Explosion-proof Dome</h1>	
Product Model: xxxxxxxxxxxx	
Protection Level: IP68 (1m/1h) Temperature: -30°C ~ +60°C	
Working Voltage: DC12V	Max Power : 25W
Product No.: xxxxxxxxxxxx	Date of Production: xxxxxx
SEV 20 ATEX 0415 X	IECEX NEP 20.0018X
 II 2 G Ex db IIC T6 Gb	Ex db IIC T6 Gb
 II 2 D Ex tb IIIC T80°C Db	Ex tb IIIC T80°C Db
	
WARNING:DO NOT OPEN WHEN AN EXPLOSIVE ATMOSPHERE IS PRESENT POTENTIAL ELECTROSTATIC CHARGING HAZARD-SEE INSTRUCTIONS	
Hangzhou Hikvision Digital Technology Co., Ltd. No.555 Qianmo Road, Binjiang District, Hangzhou 310052, China Dirk Storklaan 3, 2132 PX Hoofddorp, The Netherlands	



Safety Instruction

These instructions are intended to ensure that user can use the product correctly to avoid danger or property loss.

The precaution measure is divided into **Warnings** and **Cautions**:

Warnings: Neglecting any of the warnings may cause serious injury or death.

Cautions: Neglecting any of the cautions may cause injury or equipment damage.

	
Warnings Follow these safeguards to prevent serious injury or death.	Cautions Follow these precautions to prevent potential injury or material damage.



Warnings

Laws and Regulations

The device should be used in compliance with local laws, electrical safety regulations, and fire prevention regulations.

Electrical Safety

CAUTION: To reduce the risk of fire, replace only with the same type and rating of fuse.

Grounding: The both internal and external earthing shall be connected reliably.

Battery

This equipment is not suitable for use in locations where children are likely to be present.

CAUTION: Risk of explosion if the battery is replaced by an incorrect type.

Improper replacement of the battery with an incorrect type may defeat a safeguard (for example, in the case of some lithium battery types).

Do not dispose of the battery into fire or a hot oven, or mechanically crush or cut the battery, which may result in an explosion.

Do not leave the battery in an extremely high temperature surrounding environment, which may result in an explosion or the leakage of flammable liquid or gas.

Do not subject the battery to extremely low air pressure, which may result in an explosion or the leakage of flammable liquid or gas.

Dispose of used batteries according to the instructions.

Maintenance

To avoid fire danger caused by electrostatic charge, never touch or wipe the speed dome in explosive environment. Perform the wiping and replacing accessories only under non-explosive environment with the glove.

To prevent accumulation of electrostatic charge, use a soft and damp cloth when clean inside and outside surfaces of the bubble. **DO NOT** use alkaline detergents.

Installation

Never place the equipment in an unstable location. The equipment may fall, causing serious personal injury or death.

**Cautions****Fire Prevention**

No naked flame sources, such as lighted candles, should be placed on the equipment. The serial port of the equipment is used for debugging only.

Installation

Install the equipment according to the instructions in this manual.

To prevent injury, this equipment must be securely attached to the wall in accordance with the installation instructions.

Be sure that there is enough space to install the device and accessories.

Make sure that the wall is strong enough to withstand at least 8 times the weight of the device and the mount.

Make sure that the power has been disconnected before you wire, install, or disassemble the device.

Installation could be only conducted by qualified personnel according to relevant national regulations.

Transportation

Do not drop the product or subject it to physical shock.

Keep all wrappers after unpack them for future use. In case of any failure occurred, you need to return the device to the factory with the original wrapper. Transportation without the original wrapper may result in damage on the device and lead to additional costs.

Power Supply

The power source should meet limited power source or PS2 requirements according to IEC 60950-1 or IEC 62368-1 standard.

Refer to the device label for the standard power supply. Please make sure your power supply matches with your device.

Use a power adapter provided by qualified manufacturers. It is recommended to provide an independent power adapter for each device as adapter overload may cause over-heating or a fire hazard.

System Security

Please understand that you have the responsibility to configure all the passwords and other security settings about the device, and keep your user name and password.

Maintenance

If the product does not work properly, please contact your dealer or the nearest service center. We shall not assume any responsibility for problems caused by unauthorized repair or maintenance.

A few device components (e.g., electrolytic capacitor) require regular replacement. The average lifespan varies, so periodic checking is recommended. Contact your dealer for details.

To ensure explosion-proof performance, do not damage explosion-proof surface.

Use the glove when open up the dome cover, and avoid direct contact with the dome cover, because the acidic sweat of the fingers may erode the surface coating of the dome cover.

Ambient temperature: -30°C to +60°C

DO NOT OPEN WHEN ENERGIZED.

POTENTIAL ELECTROSTATIC CHARGING HAZARD – SEE INSTRUCTIONS.

When assembly and operation, the operator must follow the requirements of the IEC 60079-14: latest version Explosive atmospheres- Part 14: Electrical installations design, selection and erection, beside of the manufacturer's operating instructions or its National equivalent.

Maintenance shall comply with IEC 60079-17.

Repair and overhaul shall comply with IEC 60079-19: latest version or its National equivalent.

Cleaning

Please use a soft and dry cloth to clean the inner and outer surfaces. Do not use alkaline detergents.

Keep the surface clean and prevent dust accumulation. DO NOT clean the surface by compressed air duster.

Do not touch sensor modules with fingers. If cleaning is necessary, use clean cloth with a bit of ethanol and wipe it gently. If the camera will not be used for an extended period, please replace the lens cap to protect the sensor from dirt.

Using Environment

When any laser equipment is in use, make sure that the device lens is not exposed to the laser beam, or it may burn out.

DO NOT aim the lens at the sun or extra bright places. A blooming or smear may occur otherwise (which is not a malfunction however), and affecting the endurance of sensor at the same time.

To avoid heat accumulation, good ventilation is required for a proper operating environment.

DO NOT expose the device to extremely hot, cold, dusty, corrosive, saline-alkali, or damp environments. For temperature and humidity requirements, see device specification.

DO NOT expose the device to high electromagnetic radiation.

Emergency

If smoke, odor, or noise arises from the device, immediately turn off the power, unplug the power cable, and contact the service center.

Time Synchronization

Set up device time manually for the first time access if the local time is not synchronized with that of the network. Visit the device via web browser/client software and go to time settings interface.

Table of Contents

1 Overview	1
1.1 Explanation of model naming.....	1
1.2 Power Supply.....	1
1.3 Explosion-proof Parameters	1
1.4 Mechanical Specification	1
1.5 Working Environment.....	2
2 Installation	2
2.1 Preparation	2
2.1.1 Basic Requirement	2
2.1.2 Checking Installing Environment	2
2.1.3 Preparing Cables	2
2.1.4 Preparing Tools.....	2
2.1.5 Original Packaging	2
2.1.6 Run the Device in Safe Area	3
2.2 Cable Description and Routing	3
2.3 Installing the Explosion-proof Dome	4
2.3.1 Disconnecting the Cables	5
2.3.2 Wall Mounting.....	5
2.3.3 Pendant Mounting	7
2.3.4 Cable Entry Installation	9
2.4 Protective Measures for Outdoor Installation	10
3 Activate and Access Network Camera	11

1 Overview

The explosion-proof dome captures high quality colored images in dim light environment with its low illumination and offers more details over expansive areas. It is equipped with explosion-proof enclosure made of stainless steel. It can be widely used in places such as port, wharf, petrochemical industry.

1.1 Explanation of model naming

The product can be named by rule of Figure 1-1.

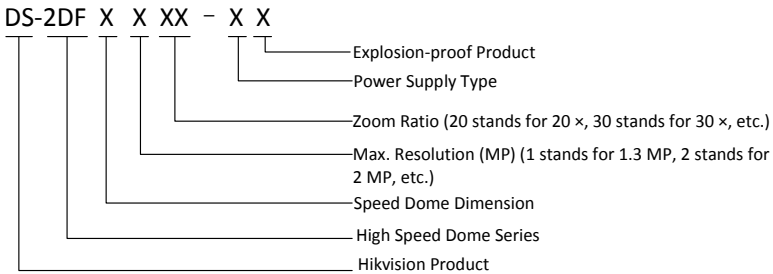


Figure 1-1 Product Naming Rule

1.2 Power Supply

For detailed information about the power supply, refer to **Explosion-proof Dome Nameplate**.

1.3 Explosion-proof Parameters

For detailed information about explosion-proof parameters, refer to **Explosion-proof Dome Nameplate**.

1.4 Mechanical Specification

- Material: 316L stainless steel with anti-corrosion surface spray treatment.
- Cable Entry of Bracket: One G 3/4 explosion-proof cable entry, inner hole diameter Φ15.

1.5 Working Environment

- Altitude (Above sea level): Within 2000 m.
- Humidity: Within 95%.
- Temperature: Refer to *Explosion-proof Dome Nameplate*.

Note:

To ensure safety of the users and explosion-proof performance of the device, your installation environment must meet the installation requirements of the device you purchased.

2 Installation

2.1 Preparation

2.1.1 Basic Requirement

- All the electronic operation should be in strictly compliance with the electrical safety regulations, fire prevention regulations and other related regulations in your local region.
- Make sure the device in the package is in good condition and all the assembly parts are included.

2.1.2 Checking Installing Environment

- Make sure that there is enough space to install the device and accessories.
- Make sure that the wall is strong enough to withstand at least eight times the weight of the device and accessories.

2.1.3 Preparing Cables

You should prepare proper cables according to the actual network bandwidth, transmission distance and installation environment:

- Network Cable
- Power Cord

2.1.4 Preparing Tools

Before installation, prepare the tools, such as the expansion screws, electric hammer, electric drill, wrench, screwdriver, electroprobe, and network cable.

2.1.5 Original Packaging

When you unpack the device, keep the original package properly, in case of returning or repairing the camera, you can pack the device with the package.

Note:

The user should be responsible for any damage caused due to transporting in unoriginal package.

2.1.6 Run the Device in Safe Area

It is recommended to trial run the device in the safe area before installation.

Steps:

1. Make sure the power cable and network cable are connected properly. Then power on the device to trial run the device.
2. Check if the device performs power-up action. If not, contact the technical support. Normally, the power-up action should include the device movement of automatically panning and tilting.
3. Check if the image can be displayed normally. If not, contact the technical support.
4. Start the installation after making sure the device works properly.

Note:

If the device cannot be powered up, check the cable connection carefully.

2.2 Cable Description and Routing

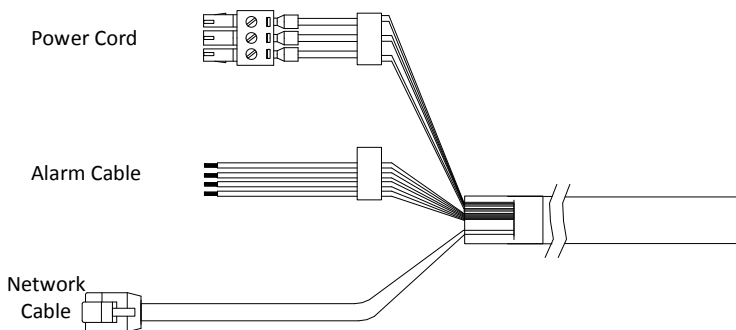


Figure 2-1 Cable Description

Notes:

- The cables vary depending on different device models.
- The three cables of the power cord should be connected to corresponding wires. The red cable should be connected to live wire. The black cable should be connected to neutral wire. The yellow/green cable must be connected to the ground.
- To avoid transmitting interference, route power cables separately.

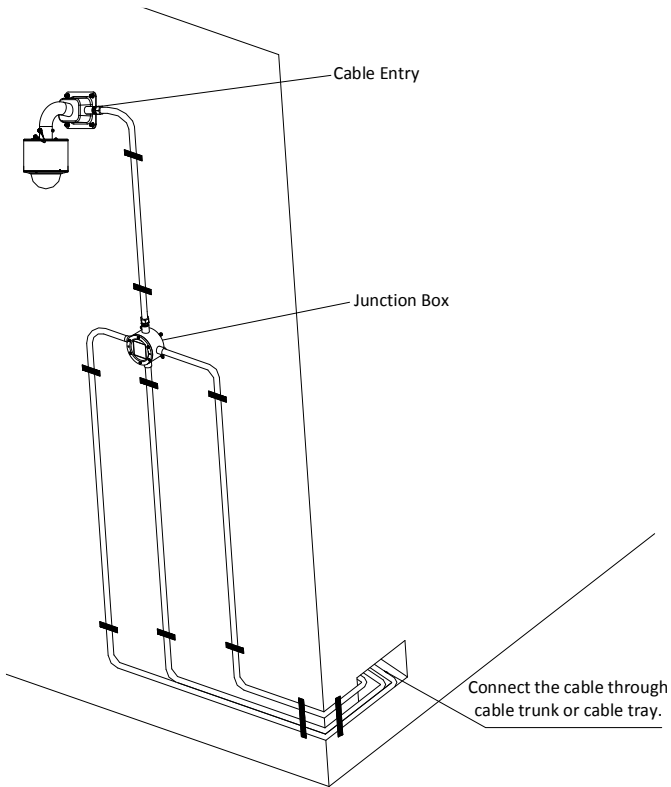


Figure 2-2 Cable Wiring Diagram

2.3 Installing the Explosion-proof Dome

Before you start:

Make sure the device in the package is in good condition and all the assembly parts are included.

Notes:

- Do not drag the device with its waterproof cables. The waterproof performance is affected otherwise.
- Do not touch the bubble directly by hand. The image blurs otherwise.
- All installation operations shall be performed when the device is powered off.
- Do not disassemble the device.

2.3.1 Disconnecting the Cables

After testing the device, disconnect the power cord as shown in Figure 2-3.

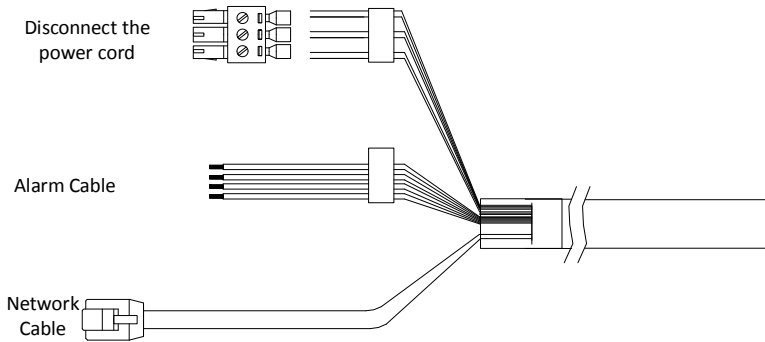


Figure 2-3 Disconnect the cables

2.3.2 Wall Mounting

Before you start:

- Make sure that the wall is thick enough to withstand the expansion screws.
- Make sure that the wall is strong enough to withstand more than eight times the weight of the dome and the accessories.
- There must be enough space for installing the explosion-proof dome and its accessories.
- Make sure the device is power off before connecting the cables.

Steps:

1. Fix the explosion-proof dome to the bracket.
 - a. Route the cables through the bracket. Align the limit screw on the bracket to the notch on the device, and rotate clockwise until firmly fixed.

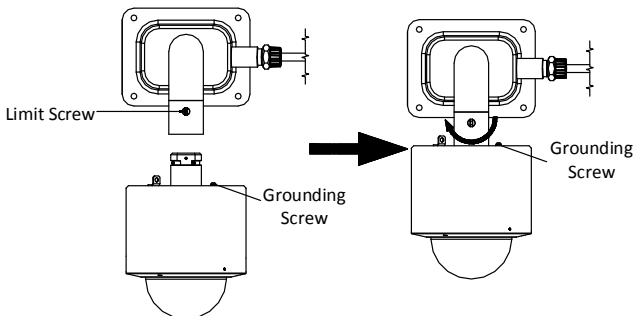


Figure 2-4 Fix the Device to the Bracket

- b. Tighten the two fixing screws on the bracket by hex wrench to secure the explosion-proof dome, and lock the safety rope to the bracket.

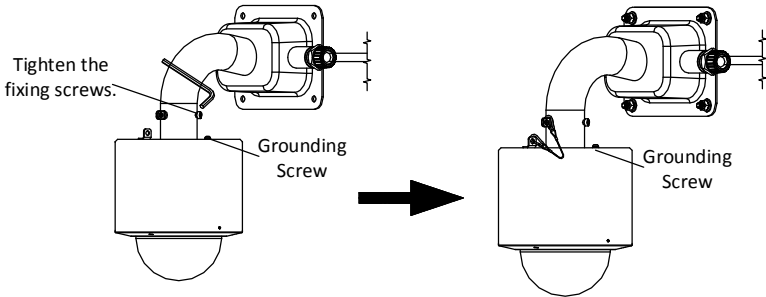


Figure 2-5 Secure the Device

2. Drill four screw holes for $\phi 12.5$ expansion screws in the wall.

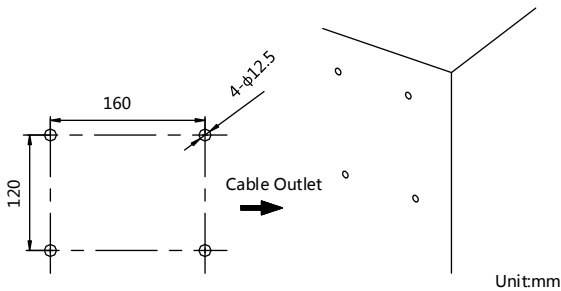


Figure 2-6 Drill Screw Holes

3. Fix the mounting bracket onto the wall by inserting the four expansion screws. Insert the flat washer and the spring washer. Then tighten the four screws to secure the installation plate as shown in Figure 2-7.

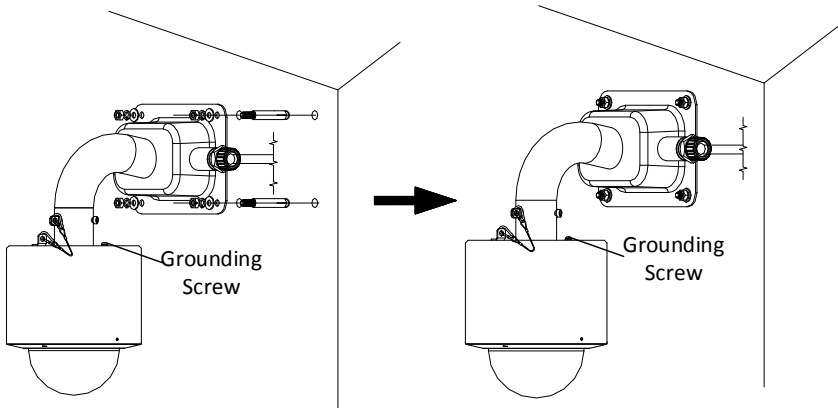


Figure 2-7 Mount the Bracket and Device

4. Remove the protective film on the bubble after the installation is finished.

2.3.3 Pendant Mounting

Before you start:

- Make sure the ceiling is thick enough to withstand the expansion screws.
- Make sure the ceiling must be strong enough to withstand more than eight times the weight of the dome and its accessories.
- There must be enough space for installing the explosion-proof dome and its accessories.
- Make sure the device is power off before connecting the cables.

Steps:

1. Fix the explosion-proof dome to the bracket.
 - a. Route the cables through the bracket. Align the limit screw on the bracket to the notch on the device, and rotate clockwise until firmly fixed.

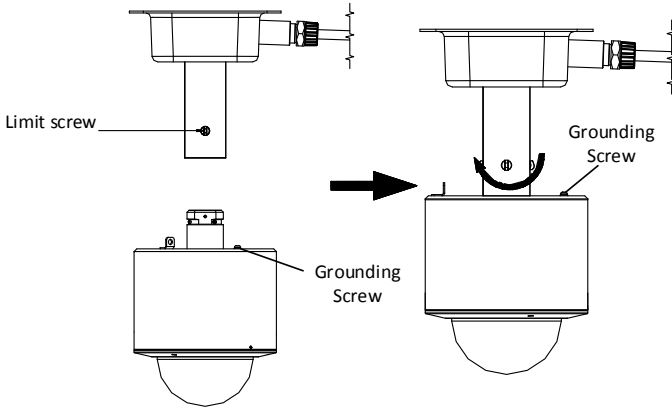


Figure 2-8 Fix the Device to the Bracket

- b. Tighten the two fixing screws on the bracket by hex wrench to secure the device, and lock the safety rope to the bracket.

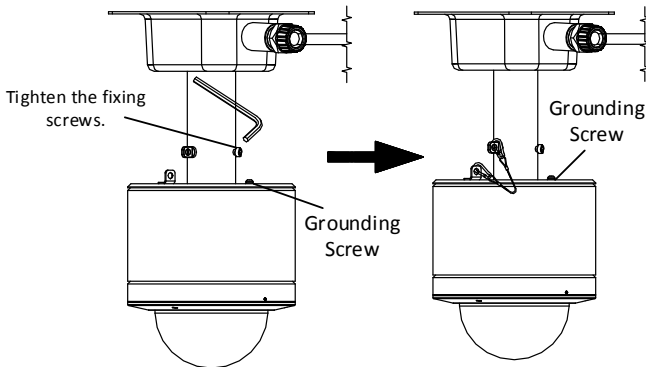


Figure 2-9 Secure the Device

2. Drill four screw holes for $\phi 12.5$ expansion screws in the wall.

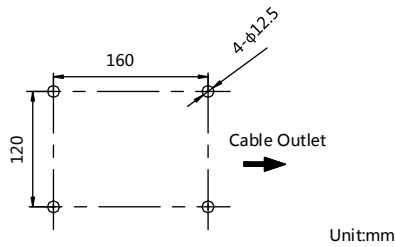


Figure 2-10 Drill Screw Holes

- Fix the mounting bracket onto the wall by inserting the four expansion screws. Insert the flat washer and the spring washer. Then tighten the four screws to secure the installation plate as shown in Figure 2-11.

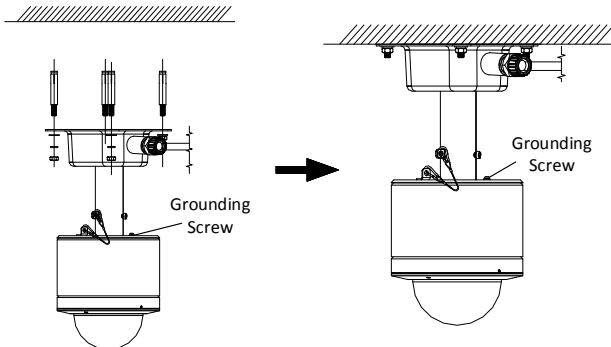


Figure 2-11 Mount the Bracket and Explosion-proof Dome

- Remove the protective film on the bubble after the installation is finished.

2.3.4 Cable Entry Installation

Purpose:

To ensure the explosion-proof performance of the device, you shall route the cable through the cable entry to protect the cables after device installation.

Steps:

- Loosen and remove the thread protector on the adapter.
- Seal the cable entry by installing the protective steel tube on the adapter as shown in Figure 2-12.

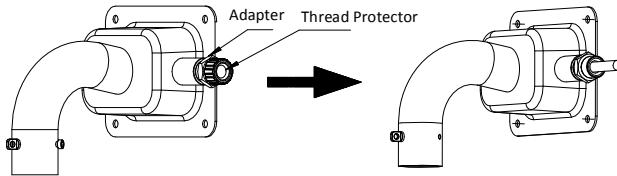


Figure 2-12 Seal the Cable Entry

3. Screw tight the gland nut to the base.

2.4 Protective Measures for Outdoor Installation

If the device is installed outdoors, necessary protective measures should be taken to ensure safety. Scan the following QR code to get protective measures for outdoor installation.



3 Activate and Access Network Camera

Scan the QR code to get *Activate and Visit Network Camera*. Note that mobile data charges may apply if Wi-Fi is unavailable.





See Far, Go Further