

DarkFighter



DS-2DF6223-CX (W316L) 2MP Explosion-Proof Network Speed Dome



II 2 G Ex db IIC T6 Gb
II 2 D Ex tb IIIC T80°C Db

Hikvision DS-2DF6223-CX (W316L) 2MP

Explosion-Proof Network Speed Dome captures high quality colored images in dim light environment with its low illumination, down to 0.002 Lux (color). Embedded with 1/1.9" progressive scan CMOS chip, it makes 120db WDR and 2 MP real-time resolution possible. With the 23× optical zoom and day/night IR cut filter, the speed dome offers more details over expansive areas.

The explosion-proof speed dome is equipped with explosion-proof enclosure made of stainless steel. It can be widely used in places such as: port, wharf, petrochemical industry, military industry.

Key Features

- 2MP 1/1.9" progressive scan CMOS
- Up to 1920 × 1080 resolution
- 23× optical zoom, focal length 5.9 mm to 135.7 mm
- Min. illumination:
Color: 0.002 Lux @(F1.5, AGC ON)
B/W: 0.0002 Lux @(F1.5, AGC ON)
- IR cut filter with auto switch
- 3D DNR, low bitrate, 120 dB WDR
- Explosion-Proof Certificate No.:
TÜV 16 ATEX 7950X, IECEx TUR 16.0050X
- IP68 standard
- Three streams
- Support H.265+/H.265 video compression



Specification

Camera	DS-2DF6223-CX (W316L) 2MP Explosion-Proof Network Speed Dome
Image Sensor	1/1.9" progressive scan CMOS
Main Stream Resolution	50Hz: 25fps (1920 × 1080, 1280 × 960, 1280 × 720) 50fps (1920 × 1080, 1280 × 960, 1280 × 720) 60Hz: 30fps (1920 × 1080, 1280 × 960, 1280 × 720) 60fps (1920 × 1080, 1280 × 960, 1280 × 720)
Sub-Stream Resolution	50Hz: 25fps (704 × 576, 640 × 480, 352 × 288) 60Hz: 30fps (704 × 480, 640 × 480, 352 × 240)
Third Stream Resolution	50Hz: 25fps (1920 × 1080, 1280 × 960, 1280 × 720, 704 × 576, 640 × 480, 352 × 288) 60Hz: 30fps (1920 × 1080, 1280 × 960, 1280 × 720, 704 × 480, 640 × 480, 352 × 240)
Min. Illumination	Color: 0.002 Lux @(F1.5, AGC ON) B/W: 0.0002 Lux @(F1.5, AGC ON)
S/N Ratio	> 52 dB (AGC OFF)
White Balance	Auto/MWB/Auto-tracking/Indoor/Outdoor/Fluorescent Lamp/Sodium Lamp
AGC	Auto/Manual
Defog	Support
Focus Mode	Auto/Semiautomatic/Manual
Exposure Mode	Auto/Iris Priority/Shutter Priority/Manual
3D DNR	Support
BLC	Support
HLC	Support
WDR	120 dB
Regional Exposure	Support
Regional Focus	Support
Shutter Time	1/1 s to 1/30,000 s
Day & Night	IR cut filter
Digital Zoom	16×
Privacy Mask	8 programmable privacy masks
Lens	
Focal Length	5.9 mm to 135.7 mm, 23× optical zoom
Field of View	59.8° to 3.0° (Wide-Tele)
Working Distance	10 mm to 1500 mm (Wide-Tele)
Zoom Speed	Approx. 4.8 s (Optical Lens, Wide-Tele)
Aperture Range	F1.5 to F3.4
Pan and Tilt	
Movement Range (Pan)	360° endless
Pan Speed	Configurable, from 0.1°/s to 300°/s Preset Speed: 540°/s
Movement Range (Tilt)	From 0° to 90° (Auto Flip)
Tilt Speed	Configurable, from 0.1°/s to 240°/s Preset Speed: 400°/s
Proportional Zoom	Support
Presets	300
Patrol Scan	8 patrols, up to 32 presets for each patrol
Pattern Scan	4 pattern scans, record time over 10 minutes for each scan
Power-off Memory:	Support
Park Action	Preset/Pattern Scan/Patrol Scan/Auto Scan/Tilt Scan/Random Scan/Frame Scan/Panorama Scan

PTZ Status Display	Support
Preset Freezing	Support
Scheduled Task	Preset/Pattern Scan/Patrol Scan/Auto Scan/Tilt Scan/Random Scan/Frame Scan/Panorama Scan/Dome Reboot/Dome Adjust/Aux Output
Smart	
Smart Detection	Intrusion Detection/Line Crossing Detection/Audio Exception Detection/Face Detection/Region Entrance Detection/Region Exiting Detection
Smart Tracking	Manual Tracking/Auto Tracking/Panorama Tracking/Event Tracking
Smart Recording	ANR (Automatic Network Replenishment), Dual-VCA
Network	
Video Compression	Main Stream: H.265+/H.265/H.264+/H.264 Sub-Stream: H.265/H.264/MJPEG Third Stream: H.265/H.264/MJPEG H.264 with Baseline/Main/High Profile
ROI	Support
SVC	Support
Audio Compression	G.711alaw/G.711ulaw/G.722.1/G.726/MP2L2/PCM
Protocols	IPv4/IPv6, HTTP, HTTPS, 802.1X, QoS, FTP, SMTP, UPnP, SNMP, DNS, DDNS, NTP, RTSP, RTP, TCP, UDP, IGMP, ICMP, DHCP, PPPoE, Bonjour
Application Programming	Open-ended API, support ONVIF, PSIA, CGI and Genetec, support HIKVISION SDK and Third-Party Management Platform
Simultaneous Live View	Up to 20 channels
User/Host	Up to 32 users 3 levels: Administrator, Operator and User
Security Measures	User Authentication (User ID and Password), Host Authentication (MAC Address), HTTPS Encryption, IEEE 802.1x Port-Based Network Access Control, IP Address Filtering
General	
Alarm Input	7-ch alarm input
Alarm Output	2-ch alarm output
Audio Input	1-ch audio input
Audio Output	1-ch audio output
Ethernet	1× RJ45 100 M self-adaptive Ethernet interface
Storage	Built-in memory card slot, support Micro SD/SDHC/SDXC, up to 128 GB
Client	iVMS-4200
Web Browser	IE7+, Chrome18+, Firefox5.0+, Safari5.02+
Explosion-Proof	TÜV 16 ATEX 7950X: Ex db IIC T6 Gb/Ex tb IIIC T80°C Db IECEx TUR 16.0050X: Ex db IIC T6 Gb/Ex tb IIIC T80°C Db For explosive gas atmospheres, the maximum surface temperature is 85°C; For flammable dust atmospheres, the maximum surface temperature is 80°C; IIC: for explosive gas atmospheres other than mines susceptible to firedamp; For explosive gas mixture atmospheres: Zone 1, Zone 2, Zone 21, Zone 22.
Weatherproof Grade	IP68 standard
Enclosure Material	Stainless Steel 316L
Power	100 VAC to 240 VAC, Max.: 60 W
Working Environment	Working Temperature: -40° C to 60° C (-40° F to 140° F) Working Humidity: ≤ 95%
Dimensions	Φ 281 mm × 405 mm (11.06" × 15.94")
Weight	Approx. 22 kg (48.5 lb)

DORI

The DORI (detect, observe, recognize, identify) distance gives the general idea of the camera ability to distinguish persons or objects within its field of view.

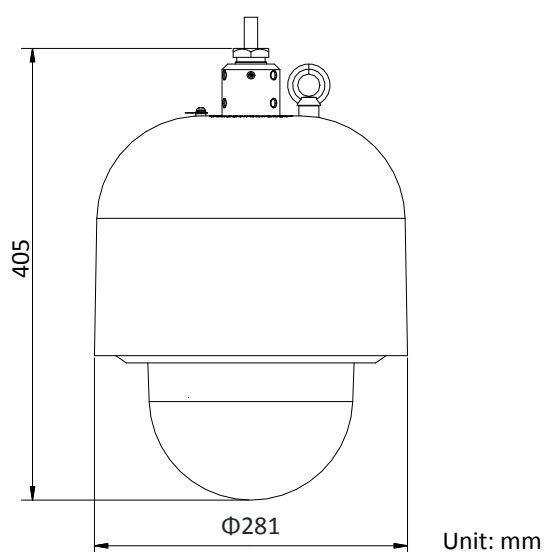
It is calculated based on the camera sensor specification and the criteria given by EN 62676-4: 2015.

DORI	Detect	Observe	Recognize	Identify
Definition	25 px/m	63 px/m	125 px/m	250 px/m
Distance (Tele)	1434.7 m (4705.7 ft)	569.3 m (1867.3 ft)	286.9 m (941.1 ft)	143.5 m (470.6 ft)

Available Model

DS-2DF6223-CX (W316L)

Dimensions



Accessory Included



DS-1692ZJ-X-AC(OS)

Wall mount

Optional



DS-1677ZJ-XS-1.0 (C2)

Flexible conduit

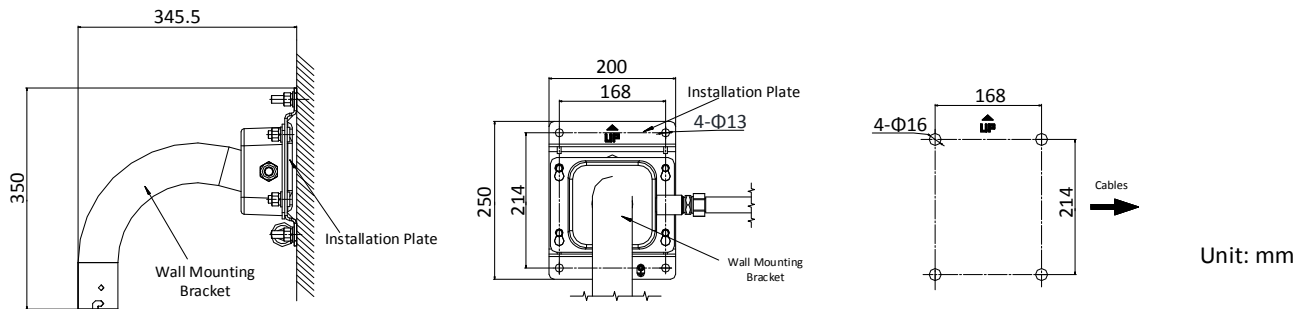


DS-2780ZJ-X/316L(OS)

Explosion-proof terminal box

Dimensions of Bracket

DS-1692ZJ-X-AC(OS) Dimensions



Distributed by



HIKVISION®

Headquarters

No.555 Qianmo Road, Binjiang District,
Hangzhou 310051, China
T +86-571-8807-5998
overseasbusiness@hikvision.com

Hikvision USA
T +1-909-895-0400
sales.usa@hikvision.com

Hikvision Australia
T +61-2-8599-4233
salesau@hikvision.com

Hikvision India
T +91-22-28469900
sales@pramahikvision.com

Hikvision Canada
T +1-866-200-6690
sales.canada@hikvision.com

Hikvision Thailand
T +662-275-9949
sales.thailand@hikvision.com

Hikvision Europe
T +31-23-5542770
sales.eu@hikvision.com

Hikvision Italy
T +39-0438-6902
info.it@hikvision.com

Hikvision Brazil
T +55 11 3318-0050
Latam.support@hikvision.com

Hikvision Turkey
T +90 (216)521 7070- 7074
sales.tr@hikvision.com

Hikvision Malaysia
T +601-7652-2413
sales.my@hikvision.com

Hikvision UK & Ireland
T +01628-902140
sales.uk@hikvision.com

Hikvision South Africa
Tel: +27 (10) 0351172
sale.africa@hikvision.com

Hikvision France
T +33(0)1-85-330-450
info.fr@hikvision.com

Hikvision Kazakhstan
T +7-727-9730667
nikia.panfilov@hikvision.ru

Hikvision Vietnam
T +84-974270888
sales.vt@hikvision.com

Hikvision UAE
T +971-4-4432090
salesme@hikvision.com

Hikvision Singapore
T +65-6684-4718
sg@hikvision.com

Hikvision Spain
T +34-91-737-16-55
info.es@hikvision.com

Hikvision Tashkent
T +99-87-1238-9438
uzb@hikvision.ru

Hikvision Hong Kong
T +852-2151-1761
info.hk@hikvision.com

Hikvision Russia
T +7-495-669-67-99
saleru@hikvision.com

Hikvision Korea
T +82-[0]31-731-8817
sales.korea@hikvision.com

Hikvision Poland
T +48-22-460-01-50
info.pl@hikvision.com

Hikvision Indonesia
T +62-21-2933759
Sales.Indonesia@hikvision.com

Hikvision Colombia
sales.colombia@hikvision.com