

## DS-2XE6442F-IZHRS (B) 4 MP Explosion-Proof Network Bullet Camera



- Explosion-proof design: the camera has passed international ATEX & IECEx certifications, and can be used in gas and dust hazardous scenarios
- 316L stainless steel enclosure and anti-corrosion spray treatment, protecting the camera from damage caused by sparks or corrosive materials
- IP68 water resistant, preventing water ingress for outdoor use
- H.265+/H.265/H.264+/H.264 encoding: efficient compression technology saves storage space and reduces bandwidth requirements
- AC 100 V to 240 V wide range power supply: easy to deploy cables and safer compared to a power adapter solution



## ▪ Specification

Camera	
Shutter Speed	1/3s to 1/100,000s
P/N	P/N
Wide Dynamic Range	120 dB
Lens	
Focus	Auto, semi-auto, manual
Camera	
Image Sensor	1/1.8" Progressive Scan CMOS
Min. Illumination	Color: 0.0005 Lux @(F1.2, AGC ON) B/W: 0.0001 Lux @(F1.2, AGC ON), 0 Lux with IR
Slow Shutter	Yes
DNR	3D DNR
Day & Night	IR cut filter
Lens	2.8 mm to 12 mm, F1.4, horizontal FOV: 94° to 38°, vertical FOV: 49.9° to 21.3°, diagonal FOV: 112.3° to 43.7° 8 mm to 32 mm, F1.7, horizontal field of view: 42.2° to 15.1°, vertical FOV: 23.4° to 8.6°, diagonal FOV: 49.6° to 17.3°
Auto-Iris	DC drive
Video	
Max. Resolution	2688 × 1520
Main Stream	50 Hz: 25fps (2688 × 1520, 2304 × 1296, 1920 × 1080, 1280 × 720) 60 Hz: 30 fps (2688 × 1520, 2304 × 1296, 1920 × 1080, 1280 × 720)
Sub-Stream	50 Hz: 25 fps (640 × 480, 640 × 360, 320 × 240) 60 Hz: 30fps (640 × 480, 640 × 360, 320 × 240)
Third Stream	50 Hz: 25 fps (1280 × 720, 640 × 480, 640 × 360, 320 × 240) 60 Hz: 30 fps (1280 × 720, 640 × 480, 640 × 360, 320 × 240)
Video Compression	Main stream: H.265/H.264 Sub-stream: H.265/H.264/MJPEG Third stream: H.265/H.264
Video Bit Rate	32 Kbps~8Mbps
H.264 Type	BaselLine Profile/Main Profile/High Profile
H.265 Type	Main Profile
H.264+	Main stream supports
H.265+	Main stream supports
Bit Rate Control	VBR/CBR
Scalable Video Coding (SVC)	H.265 and H.264 support
Region of Interest (ROI)	1 fixed region for main stream and sub-stream
Audio	
Environment Noise Filtering	Yes
Audio Sampling Rate	8 kHz/16 kHz/32 kHz/44.1 kHz/48 kHz
Audio Compression	G.711/G.722.1/G.726/MP2L2/PCM/AAC/MP3
Audio Bit Rate	64Kbps(G.711)/16Kbps(G.722.1)/16Kbps(G.726)/32-192Kbps(MP2L2)/8Kbps-320Kbps(MP3)

Audio Type	Mono sound
<b>Network</b>	
Simultaneous Live View	Up to 6 channels
API	Open Network Video Interface, ISAPI, SDK, Ehome
Protocols	TCP/IP, ICMP, HTTP, HTTPS, FTP, SFTP, DHCP, DNS, DDNS, RTP, RTSP, RTCP, PPPoE, NTP, UPnP, SMTP, SNMP, IGMP, 802.1X, QoS, IPv6, UDP, SSL/TLS
User/Host	Up to 32 users, 3 levels: administrator, operator and user
Network Storage	microSD/SDHC/SDXC card (256 GB) local storage, and NAS (NFS, SMB/CIFS), auto network replenishment (ANR) Together with high-end Hikvision memory card, memory card encryption and health detection are supported.
Client	iVMS-4200, Hik-Connect, Hik-Central
Web Browser	Plug-in required live view: IE8+, Chrome41.0~44, Firefox30.0~51, Safari8.0~11 Plug-in free live view: Chrome45.0+, Firefox52.0+ Local service: Chrome 57.0+, Firefox 52.0+ Not recommended: Safari 11+, Edge
<b>Image</b>	
Smart IR	The IR LEDs on camera should support Smart IR function to automatically adjust power to avoid image overexposure.
Day/Night Switch	Day/Night/Auto/Schedule
Target Cropping	Yes
Image Enhancement	BLC, HLC, 3D DNR, Defog, EIS
Image Parameters Switch	Yes
SNR	≥50db
Privacy Mask	Yes
<b>Smart Feature-Set</b>	
Smart Event	Line crossing detection, up to 4 lines configurable Intrusion detection, up to 4 regions configurable Region entrance detection, up to 4 regions configurable Region exiting detection, up to 4 regions configurable Unattended baggage detection, up to 4 regions configurable Object removal detection, up to 4 regions configurable, Scene change detection, defocus detection
Exception Detection	Network disconnected, IP address conflict, illegal login, HDD full, HDD error
<b>General</b>	
Linkage Method	Upload to FTP/NAS/memory card, notify surveillance center, send email, trigger alarm output, trigger recording, trigger capture
Online Upgrade	Yes
Firmware Version	5.5.153
General Function	Anti-flicker, 3 streams, heartbeat, mirror, privacy masks, flash log, password reset via e-mail, pixel counter
Software Reset	Yes
<b>Audio</b>	
Audio I/O	1 line in/out

Image	
Picture Overlay	LOGO picture can be overlaid on video with 128 × 128 24bit bmp format
Image Settings	Support rotate mode. Saturation, brightness, contrast, sharpness, white balance, and AGC are adjustable by client software or web browser
Interface	
Communication Interface	1 RJ45 10 M/100 M self-adaptive Ethernet port, Camera with no wiper also supports RS-485
Alarm	2 alarm inputs, 2 alarm outputs (up to 24 VDC, 1 A or 110 VAC, 500 mA)
Video Output	1Vp-p Composite Output(75Ω/BNC)
On-board Storage	Built-in microSD/SDHC/SDXC slot, up to 256GB <i>*You are recommended to purchase memory card together with the product if needed. After ordering, the memory card will be installed to product during manufacturing.</i>
Approval	
EMC	FCC: FCC-SDoC(ANSI C63.4,FCC Part15 sub B) CE: CE-EMC(EN 50130-4:2011+A1:2014,EN 55032:2015,EN 61000-3-2:2014,EN 61000-3-3:2013) IC: IC-VoC(ICES-003 Issue 7:2020) KC: KN 301489-1,KN 301489-17,RRA NOTICE 2017-14(2017.12.05),RRA NOTICE 2017-19(2017.12.28)
Safety	CB: IEC 60950-1 CE: CE-LVD(EN 60950-1:2006+A11:2009+A1:2010+A12:2011+A2:2013) LOA: SANS IEC60950-1
Chemistry	CE: CE-RoHS(RoHS Directive 2011/65/EU+2015/863)
Explosion-proof Certificate	ATEX: II 2 G Ex db op is IIC T6 Gb/ II 2D Ex tb op is IIIC T80°C Db IECEX: Ex db IIC T6 Gb /Ex tb IIIC T80°C Db For explosive gas atmospheres, the maximum surface temperature is 85°C; For flammable dust atmospheres, the maximum surface temperature is 80°C; IIC: for explosive gas atmospheres other than mines susceptible to firedamp; For explosive gas mixture atmospheres: Zone 1, Zone 2, Zone 21, Zone 22.
IR	
IR Range	2.8 mm to 12 mm lens: up to 80 m (262.5 ft.) 8 mm to 32 mm lens: up to 150 m (492.1 ft.)
Smart Feature-set	
Line Crossing Detection	Cross a pre-defined virtual line
Intrusion Detection	Enter and loiter in a pre-defined virtual region
Behavior Analysis	Line crossing detection, intrusion detection, region entrance detection, region exiting detection, unattended baggage detection, object removal detection
Region Entrance	Enter a pre-defined virtual region from the outside place
Region Exit	Exit from a pre-defined virtual region
Unattended Baggage	Objects left over in the pre-defined region such as the baggage, purse, dangerous materials
Object Removal	Objects removed from the pre-defined region, such as the exhibits on display.
General	
Power Supply	100 VAC to 240 VAC, three-core terminal block PoE (802.3at, class 4)
Material	316L+Anti-corrosion coating

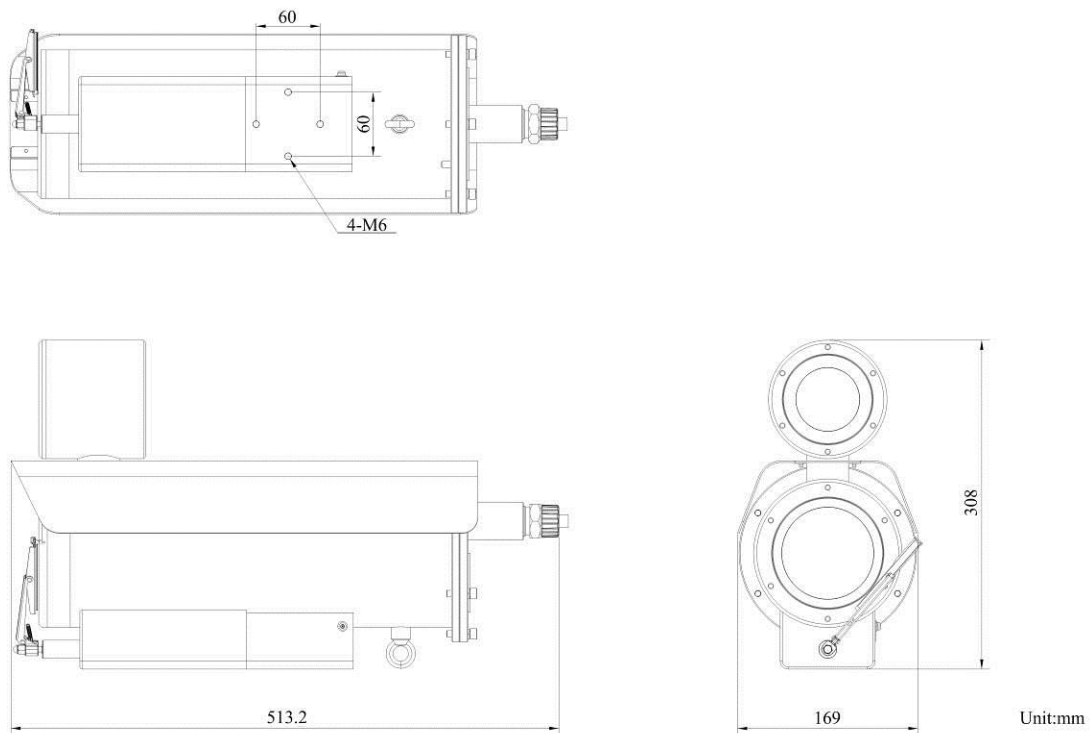
Dimensions	513.2 × 169 × 308 mm (20.2" × 6.65" × 12.13") Package: 753 × 313 × 424 mm (29.65" × 12.32" × 16.69")
Weight	17.8 kg (39.24 lb.); with package, 19.8 kg (43.65lb.)
Power Consumption	100 VAC to 240 VAC, 0.38 A to 0.18 A, max. 22.6W; PoE (802.3at, 42.5 V to 57 V), 0.56 A to 0.42 A, max. 23.6W
Heater	Yes
Wiper	Yes

*\*You are recommended to purchase memory card together with the product if needed. After ordering, the memory card will be installed to product during manufacturing.*

## ▪ Available Model



DS-2XE6442F-IZHRS (B)

## ▪ Dimension



- **Accessory**

- **Optional**

<b>DS-2780ZJ-X/316 L(OS) Junction box</b>	<b>DS-1707ZJ-Y-AC( OS) Wall mount</b>
	

Distributed by

**HIKVISION®****Headquarters**

No.555 Qianmo Road, Binjiang District,  
Hangzhou 310051, China  
T +86-571-8807-5998  
overseasbusiness@hikvision.com

**Hikvision USA**  
T +1-909-895-0400  
sales.usa@hikvision.com

**Hikvision Australia**  
T +61-2-8599-4233  
salesau@hikvision.com

**Hikvision India**  
T +91-22-28469900  
sales@pramahikvision.com

**Hikvision Canada**  
T +1-866-200-6690  
sales.canada@hikvision.com

**Hikvision Thailand**  
T +662-275-9949  
sales.thailand@hikvision.com

**Hikvision Europe**  
T +31-23-5542770  
sales.eu@hikvision.com

**Hikvision Italy**  
T +39-0438-6902  
info.it@hikvision.com

**Hikvision Brazil**  
T +55 11 3318-0050  
Latam.support@hikvision.com

**Hikvision Turkey**  
T +90 (216)521 7070- 7074  
sales.tr@hikvision.com

**Hikvision Malaysia**  
T +601-7652-2413  
sales.my@hikvision.com

**Hikvision UK & Ireland**  
T +01628-902140  
sales.uk@hikvision.com

**Hikvision South Africa**  
Tel: +27 (10) 0351172  
sale.africa@hikvision.com

**Hikvision France**  
T +33(0)1-85-330-450  
info.fr@hikvision.com

**Hikvision Kazakhstan**  
T +7-727-9730667  
nikia.panfilov@hikvision.ru

**Hikvision Vietnam**  
T +84-974270888  
sales.vt@hikvision.com

**Hikvision UAE**  
T +971-4-4432090  
salesme@hikvision.com

**Hikvision Singapore**  
T +65-6684-4718  
sg@hikvision.com

**Hikvision Spain**  
T +34-91-737-16-55  
info.es@hikvision.com

**Hikvision Tashkent**  
T +99-87-1238-9438  
uzb@hikvision.ru

**Hikvision Hong Kong**  
T +852-2151-1761  
info.hk@hikvision.com

**Hikvision Russia**  
T +7-495-669-67-99  
saleru@hikvision.com

**Hikvision Korea**  
T +82-(0)31-731-8817  
sales.korea@hikvision.com

**Hikvision Poland**  
T +48-22-460-01-50  
info.pl@hikvision.com

**Hikvision Indonesia**  
T +62-21-2933759  
Sales.Indonesia@hikvision.com

**Hikvision Colombia**  
sales.colombia@hikvision.com