

DS-2XE6452F-IZH(R)S 5 MP Explosion-Proof Network Bullet Camera



II 2 G Ex db op is IIC T6 Gb

II 2D Ex tb op is IIIC T80°C Db

Key Features

- Up to 5 megapixel high resolution
- 2.8 to 12mm lens
- Digital Wide Dynamic Range
- H.265, H.265+, H.264, H.264+
- Three video streams
- 6 behavior analyses, 3 exception detections, 1 statistics and face detection
- Support on-board storage, up to 128 GB
- IR range, 80 m for 2.8 to 12 mm lens
- Wiper optional
- Power supply: 100 VAC to 240VAC and PoE
- IP68



Specifications

Camera	
Image Sensor	1/1.8" Progressive Scan CMOS
Min. Illumination	0.01Lux @(F1.2, AGC ON), 0.014Lux @(F1.4, AGC ON), 0 Lux with IR on
Shutter Speed	1 s to 1/100,000 s, support slow shutter
Lens	2.8 mm to 12 mm, F1.4, horizontal FOV: 70° to 34°, vertical FOV: 52° to 24°, diagonal FOV: 90° to 41°
Focus	Auto
Auto-Iris	DC drive
Day & Night	IR cut filter
DNR	3D DNR
Wide Dynamic Range	Digital WDR
Compression Standard	
Video Compression	Main stream: H.265/H.264 Sub stream: H.265/H.264/MJPEG Third stream: H.265/H.264
H.264 Type	Baseline profile/main profile/high profile
H.264+	Yes
H.265 Type	Main profile
H.265+	Yes
Video Bit Rate	32 Kbps to 16 Mbps
Audio Compression	G.711/G.722.1/G.726/MP2L2/PCM
Audio Bit Rate	64Kbps(G.711)/16Kbps(G.722.1)/16Kbps(G.726)/32-192Kbps(MP2L2)
Image	
Max. Resolution	2592 × 1944
Main Stream Max. Frame Rate	50Hz: 25fps (2592 × 1944, 2560 × 1920, 2048 × 1536), 50fps (1920 × 1080, 1280 × 960, 1280 × 720) 60Hz: 30fps (2592 × 1944, 2560 × 1920, 2048 × 1536), 60fps (1920 × 1080, 1280 × 960, 1280 × 720)
Sub Stream Max. Frame Rate	50Hz: 25fps (704 × 576, 640 × 480, 352 × 288, 320 × 240) 60Hz: 30fps (704 × 480, 640 × 480, 352 × 240, 320 × 240)
Third Steam Max. Frame Rate	50Hz: 25fps (1920 × 1080, 1280 × 960, 1280 × 720, 704 × 576, 640 × 480, 352 × 288, 320 × 240) 60Hz: 30fps (1920 × 1080, 1280 × 960, 1280 × 720, 704 × 480, 640 × 480, 352 × 240, 320 × 240)
Image Enhancement	BLC/3D DNR/Defog/EIS
Image Settings	Support rotate mode. Saturation, brightness, contrast, sharpness, white balance, and AGC are adjustable by client software or web browser
Region of Interest	Support 4 customized region for each stream, and face dynamic tracking
Target Cropping	Yes
Day/Night Switch	Auto/Schedule/Triggered by Alarm In
Picture Overlay	LOGO picture can be overlaid on video with 128 × 128 24bit bmp format
Audio	
Environment Noise Filter	Yes
Sampling Rate	Max. 48 kHz
Network	
Network Storage	Support microSD/SDHC/SDXC card (up to 128 GB) local storage and NAS (NFS,SMB/CIFS), ANR

Alarm Trigger	Motion detection, tampering alarm, HDD full, HDD error, network disconnected, IP address conflicted, illegal login
Protocols	TCP/IP, ICMP, HTTP, HTTPS, FTP, DHCP, DNS, DDNS, RTP, RTSP, RTCP, PPPoE, NTP, UPnP, SMTP, SNMP, IGMP, 802.1X, QoS, IPv6, UDP, Bonjour
Standard	ONVIF (PROFILE S, PROFILE G), ISAPI
General Function	One-key reset, mirror, anti-flicker, heartbeat, watermark, password protection, privacy mask, IP address filter
Interface	
Communication Interface	1 RJ45 10 M/100 M/1000 M self-adaptive Ethernet port, Camera with no wiper also supports RS-485
Audio	3.5 mm audio input (line in), 3.5 mm audio output (line out), stereo
Alarm	2 alarm input, 2 alarm output (up to 24 VDC, 1 A or 110 VAC, 500 mA)
Video Out	1Vp-p Composite Output(75Ω/BNC)
On-board Storage	Built-in microSD/SDHC/SDXC slot, up to 128 GB <i>*You are recommended to purchase memory card together with the product if needed. After ordering, the memory card will be installed to product during manufacturing.</i>
Reset Button	Yes
Smart Feature-set	
Behavior Analysis	Line crossing detection, intrusion detection, region entrance detection, region exiting detection, unattended baggage detection, object removal detection
Line Crossing Detection	Cross a pre-defined virtual line
Intrusion Detection	Enter and loiter in a pre-defined virtual region
Region Entrance Detection	Enter a pre-defined virtual region from the outside place
Region Exiting Detection	Exit from a pre-defined virtual region
Unattended Baggage	Objects left over in the pre-defined region such as the baggage, purse, dangerous materials
Object Removal	Objects removed from the pre-defined region, such as the exhibits on display.
Exception Detections	Scene change detection, defocus detection, audio exception detection
Face Detection	Human face appears in the image can be detected and trigger linkage method
Statistics	Counting which calculates the number of targets entering and exiting a configured area
General	
Operating Conditions	-40°C to +60 °C (-40 °F to +140 °F), Humidity 95% or less (non-condensing)
Power Supply	100 VAC to 240 VAC, three-core terminal block PoE (802.3at, class 4)
Power Consumption	-IZHRS: 100 VAC to 240 VAC, 0.38 A to 0.18 A, max. 22.6W; PoE (802.3at, 42.5 V to 57 V), 0.56 A to 0.42 A, max. 23.6W -IZHS: 100 VAC to 240 VAC, 0.32 A to 0.11 A, max. 18.6 W; PoE (802.3at, 42.5 V to 57 V), 0.46 A to 0.34 A max. 19.6 W
IR Range	2.8 mm to 12 mm lens: up to 80 m (262.5 ft.)
Wiper	With -R model supports
Heater	-H: yes
Housing Material	316L Stainless steel
Ingress Protection	IP68
Explosion-Proof	ATEX: II 2 G Ex db op is IIC T6 Gb/II 2D Ex tb op is IIIC T80°C Db IECEx: Ex db IIC T6 Gb /Ex tb IIIC T80°C Db For explosive gas atmospheres, the maximum surface temperature is 85°C; For flammable dust atmospheres, the maximum surface temperature is 80°C; IIC: for explosive gas atmospheres other than mines susceptible to firedamp; For explosive gas mixture atmospheres: Zone 1, Zone 2, Zone 21, Zone 22.

Dimensions	513.2 × 169 × 308 mm (20.2" × 6.65" × 12.13") Package: 753 × 313 × 424 mm (29.65" × 12.32" × 16.69")
Weight	-IZHRS: camera, 17.8 kg (39.24 lb.); with package, 19.8 kg (43.65lb.) -IZHS: camera, 16.8 kg (37.04 lb.); with package, 18.8 kg (41.45 lb.)
Approval	
EMC	FCC: FCC-SDoC(ANSI C63.4,FCC Part15 sub B) CE: CE-EMC(EN 50130-4:2011+A1:2014,EN 55032:2015,EN 61000-3-2:2014,EN 61000-3-3:2013) IC: IC-VoC(ICES-003 Issue 7:2020)
Safety	CB: IEC 60950-1 CE: CE-LVD(EN 60950-1:2006+A11:2009+A1:2010+A12:2011+A2:2013) LOA: SANS IEC60950-1
Chemistry	CE: CE-RoHS(RoHS Directive 2011/65/EU+2015/863)

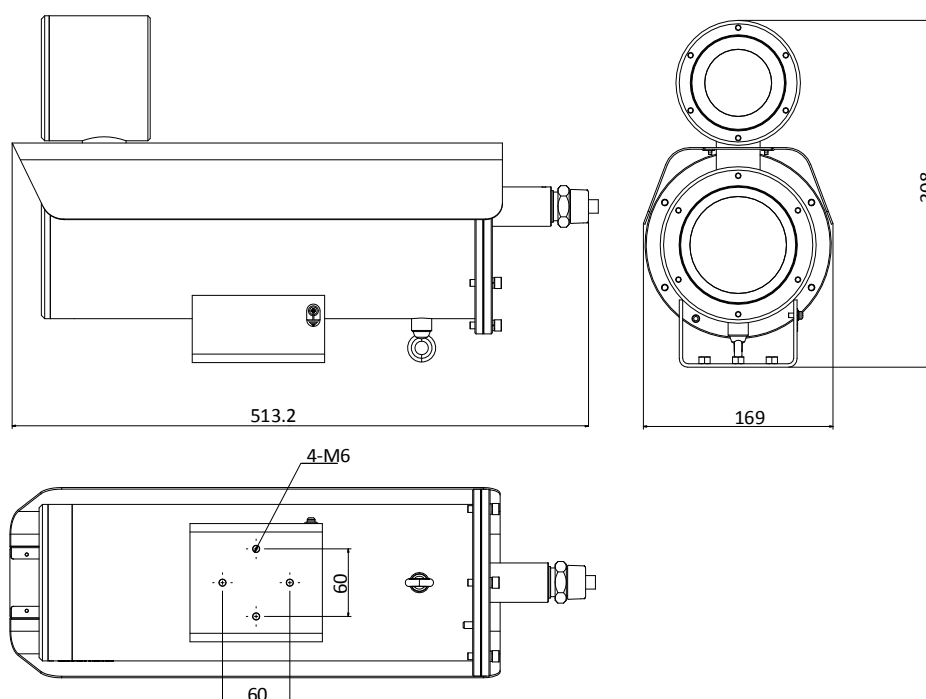
Available Models

DS-2XE6452F-IZHS (2.8-12mm), DS-2XE6452F-IZHRS (2.8-12mm)

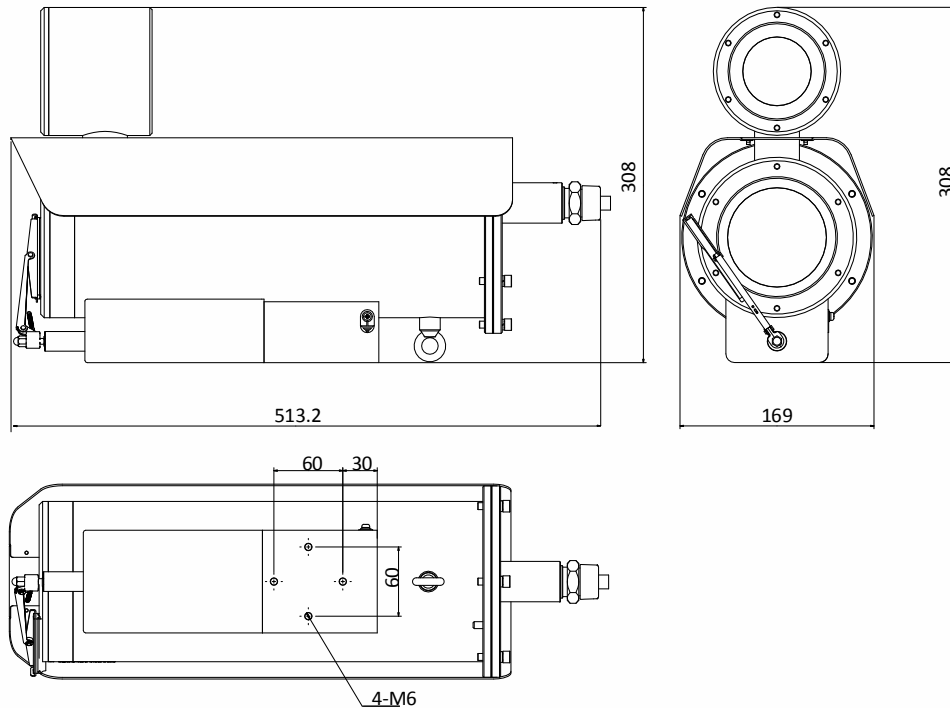
**You are recommended to purchase memory card together with the product if needed. After ordering, the memory card will be installed to product during manufacturing.*

Dimension

-IZHS:



-IZHRS:



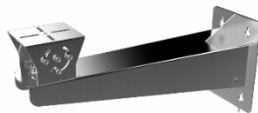
Unit: mm

Accessories

Distributed by



DS-1707ZJ-Y
Wall mount (316L stainless steel)



DS-1707ZJ-Y-E
Wall mount (316L stainless steel)



DS-1677ZJ-XS-1.0 (D)
Flexible conduit



DS-2780ZJ-X/316L
Explosion-proof terminal box

HIKVISION

Headquarters

No.555 Qianmo Road, Binjiang District,
Hangzhou 310051, China
T +86-571-8807-5998
overseasbusiness@hikvision.com

Hikvision USA
T +1-909-895-0400
sales.usa@hikvision.com

Hikvision Italy
T +39-0438-6902
info.it@hikvision.com

Hikvision Singapore
T +65-6684-4718
sg@hikvision.com

Hikvision Africa
T +27 (10) 0351172
sale.africa@hikvision.com

Hikvision Europe
T +31-23-55-42-770
info.eu@hikvision.com

Hikvision France
T +33(0)1-85-330-450
info.fr@hikvision.com

Hikvision Oceania
T +61-2-8599-4233
salesau@hikvision.com

Hikvision Hong Kong
T +852-2151-1761

Hikvision Middle East
T +971-4-8816086
salesme@hikvision.com

Hikvision Spain
T +34-91-737-16-55
info.es@hikvision.com

Hikvision Canada
T +1-909-895-0400
sales.usa@hikvision.com

Hikvision Russia
T +7-495-669-67-99
saleru@hikvision.com

Hikvision Poland
T +48-22-460-01-50
poland@hikvision.com

Hikvision Korea
T +82-31-731-8841
sales.korea@hikvision.com

Hikvision India
T +91-22-28469900
sales@pramahikvision.com

Hikvision UK
T +01628-902140
support.uk@hikvision.com

Hikvision Brazil
T +55 11 3318-0050
Latam.support@hikvision.com

05058020200423