


## DS-2XE6126FWD-HS 2 MP Explosion-Proof Network Dome Camera



 II 2 G D Ex db IIC T6 Gb/Ex tb IIIC T80°C Db IP68  
Ex db IIC T6 Gb/Ex tb IIIC T80°C Db IP68

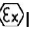
### Key Features

- 1/2.8" Progressive Scan CMOS
- 2 mm, 2.8 mm, 4 mm, 6 mm, optional
- 1920 × 1080 resolution
- 120dB WDR
- Stainless steel 316L
- IP68
- H.265, H.265+, H.264+, H.264
- Image enhancement: BLC, 3D DNR, HLC, defog, EIS
- Behavior analyses, exception detections and face detection



## Specifications

| <b>Camera</b>               |   |
|-----------------------------|---|
| Image Sensor                | 1/2.8" Progressive Scan CMOS  |
| Min. Illumination           | Color 0.003lux @(F1.2,AGC ON); 0.005Lux @ (F1.6, AGC ON)<br>B/W 0.001lux @(F1.2,AGC ON); 0.017Lux @ (F1.6, AGC ON);   |
| Shutter Speed               | 1 s to 1/100,000 s  |
| Slow Shutter                | Support   |
| Digital Noise Reduction     | 3D DNR  |
| Day & Night                 | Electronic  |
| WDR                         | 120dB   |
| 2-Axis Adjustment           | 2mm: pan: 0° to 340°, tilt: 0° to 60°<br>2.8 mm, 4 mm, 6 mm: 0° to 340°, tilt: 0° to 75°  |
| <b>Lens</b>                 |   |
| Focal length                | 2 mm, 2.8 mm, 4 mm, 6 mm, optional  |
| Aperture                    | 2 mm@F2.2, 2.8 mm@F1.6, 4 mm@F1.6, 6 mm@F1.6  |
| FOV                         | 2 mm: horizontal FOV 126.5°, vertical FOV 73.8°, diagonal FOV 144°<br>2.8 mm: horizontal FOV 108°, vertical FOV 59.3°, diagonal FOV 129°<br>4 mm: horizontal FOV 86°, vertical FOV 46°, diagonal FOV 102.3°<br>6 mm: horizontal FOV 52.8°, vertical FOV 29.7°, diagonal FOV 60.7° |
| Lens Mount                  | M12   |
| <b>Compression Standard</b> |   |
| Video Compression           | Main stream: H.265/H.264<br>Sub stream: H.265/H.264/MJPEG<br>Third stream: H.265/H.264  |
| H.264 Type                  | Baseline Profile/Main Profile/High Profile  |
| H.264+                      | Main stream support   |
| H.265 Type                  | Main Profile  |
| H.265+                      | Main stream support   |
| Video Bit Rate              | 32 Kbps to 16 Mbps  |
| Audio Compression           | G.711/G.722.1/G.726/MP2L2/PCM   |
| Audio Bit Rate              | 64Kbps(G.711) / 16Kbps(G.722.1) / 16Kbps(G.726) / 32-192Kbps(MP2L2)   |
| <b>Smart Feature-set</b>    |   |
| Behavior Analysis           | Line crossing detection, intrusion detection, region entrance detection, region exit detection, unattended baggage detection, object removal detection  |
| Exception                   | Audio exception detection   |
| Face Detection              | Yes   |
| Region of Interest          | Support 4 fixed regions for each stream, and dynamic face tracking  |
| <b>Image</b>                |   |
| Max. Resolution             | 1920 × 1080   |
| Main Stream                 | 50Hz: 25fps (1920 × 1080, 1280 × 960, 1280 × 720)<br>60Hz: 30fps (1920 × 1080, 1280 × 960, 1280 × 720)  |
| Sub Stream                  | 50Hz: 25fps (704 × 576, 640 × 480, 352 × 288, 320 × 240)<br>60Hz: 30fps (704 × 480, 640 × 480, 352 × 240, 320 × 240)  |
| Third Stream                | 50Hz: 25fps (1920 × 1080, 1280 × 960, 1280 × 720, 704 × 576, 640 × 480, 352 × 288, 320 × 240)<br>60Hz: 30fps (1920 × 1080, 1280 × 960, 1280 × 720, 704 × 480, 640 × 480, 352 × 240, 320 × 240)  |
| Image Enhancement           | BLC, 3D DNR, HLC, defog, EIS  |

|                               |   |
|-------------------------------|---|
| Image Setting                 | Rotate mode, saturation, brightness, contrast, sharpness, AGC, and white balance are adjustable by client software or web browser   |
| Day/Night Switch              | Day/Night/Auto/Schedule/Triggered by Alarm In   |
| Target Cropping               | Yes   |
| SVC                           | H.264 and H.265 support   |
| Picture Overlay               | Logo picture can be overlaid on video with 128 × 128 24bit bmp format   |
| <b>Network</b>                |   |
| Network Storage               | Support microSD/SDHC/SDXC card (128 GB) local storage and NAS (NFS,SMB/CIFS), ANR   |
| Alarm Trigger                 | Motion detection, video tampering, network disconnected, IP address conflict, illegal login, HDD full, HDD error  |
| Protocols                     | TCP/IP, ICMP, HTTP, HTTPS, FTP, DHCP, DNS, DDNS, RTP, RTSP, RTCP, PPPoE, NTP, UPnP, SMTP, SNMP, IGMP, 802.1X, QoS, IPv6, UDP, Bonjour   |
| General Function              | One-key reset, anti-flicker, three streams, heartbeat, mirror, password protection, privacy mask, watermark, IP address filter  |
| API                           | ONVIF (PROFILE S, PROFILE G), ISAPI   |
| Simultaneous Live View        | Up to 20 channels   |
| User/Host                     | Up to 32 users<br>3 levels: Administrator, Operator and User  |
| Client                        | iVMS-4200, iVMS-4500, iVMS-5200, Hik-Connect  |
| Web Browser                   | IE8+, Chrome 41.0-44, Firefox30.0-51, Safari8.0+  |
| <b>Interface</b>              |   |
| Audio                         | 1 audio input (line in), 1 audio output (line out), mono soundtrack   |
| Communication Interface       | 1 RJ45 10M/100M/1000M self-adaptive Ethernet port, 1 RS-485 interface   |
| Alarm                         | 1 alarm input, 1 alarm output (supports max. 24 VDC, 1 A or 110 VAC, 500mA)   |
| On-board storage              | Built-in microSD/SDHC/SDXC slot, up to 128 GB   |
| Video Output                  | 1Vp-p composite output (75 Ω/BNC)   |
| BNC                           | CVBS analog output (4CIF resolution)  |
| Reset Button                  | Support   |
| <b>Audio</b>                  |   |
| Environment Noise Filtering   | Yes   |
| Audio Sampling Rate           | 8 kHz/16 kHz/32 kHz/44.1 kHz/48 kHz   |
| <b>General</b>                |   |
| Operating Conditions          | -40 °C to +60 °C (-40 °F to +140 °F), humidity 95% or less (non-condensing)   |
| Power Supply                  | 12 VDC ±20%, PoE (802.3af, class 3)<br>Terminal block for DC input  |
| Power Consumption and Current | 12 VDC, 0.8 A, max. 10 W<br>PoE (802.3af, 36V to 57V), 0.3 A to 0.2 A, max. 12.5 W  |
| Explosion-Proof               | ATEX:  II 2 G D Ex db IIC T6 Gb/Ex tb IIIC T80°C Db IP68<br>IECEX: Ex db IIC T6 Gb/Ex tb IIIC T80°C Db IP68<br>For explosive gas atmospheres, the maximum surface temperature is 85°C;<br>For flammable dust atmospheres, the maximum surface temperature is 80°C;<br>IIC: for explosive gas atmospheres other than mines susceptible to firedamp;<br>For explosive gas mixture atmospheres: Zone 1, Zone 2, Zone 21, Zone 22. |
| Ingress Protection            | IP68  |
| Heater                        | -H: yes   |
| Material                      | Stainless steel 316L  |
| Dimensions                    | Camera: Ø138 × 123.4 mm (Ø5.43" × 4.86")<br>Package: 251 × 215 × 189 mm (9.88" × 8.46" × 7.44")   |

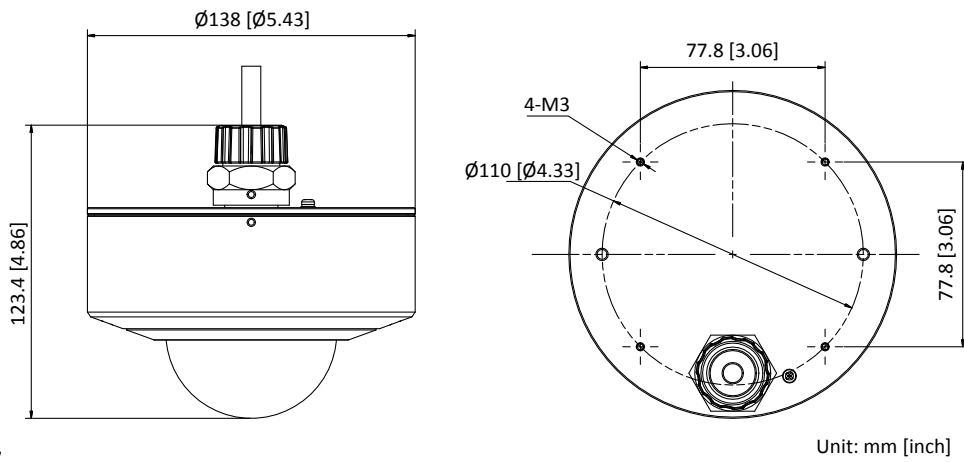
|        |   |
|--------|---|
| Weight | Camera: Approx. 2.5 kg (5.51 lb.)<br>With package: approx. 3.46 kg (7.63 lb.) |
|--------|---|

**Available Model:**

DS-2XE6126FWD-HS

*\*You are recommended to purchase memory card together with the product if needed. After ordering, the memory card will be installed to product during manufacturing.*

**Dimensions**



**Accessory**



DS-1696ZJ-X  
Pendant mount-316L



DS-1697ZJ-X  
Wall mount-316L



DS-2781ZJ-X/316L  
Explosion-proof terminal box  
(with power adapter)



DS-2780ZJ-X/316L  
Explosion-proof terminal box  
(no power adapter)



DS-1677ZJ-XS-1.0 (D)  
Flexible conduit



Distributed by

**HIKVISION®****Headquarters**

No.555 Qianmo Road, Binjiang District,  
Hangzhou 310051, China  
T +86-571-8807-5998  
overseasbusiness@hikvision.com

**Hikvision USA**  
T +1-909-895-0400  
sales.usa@hikvision.com

**Hikvision Italy**  
T +39-0438-6902  
info.it@hikvision.com

**Hikvision Singapore**  
T +65-6684-4718  
sg@hikvision.com

**Hikvision Africa**  
T +27 (10) 0351172  
sale.africa@hikvision.com

**Hikvision Europe**  
T +31-23-55-42-770  
info.eu@hikvision.com

**Hikvision France**  
T +33(0)1-85-330-450  
info.fr@hikvision.com

**Hikvision Oceania**  
T +61-2-8599-4233  
salesau@hikvision.com

**Hikvision Hong Kong**  
T +852-2151-1761

**Hikvision Middle East**  
T +971-4-8816086  
salesme@hikvision.com

**Hikvision Spain**  
T +34-91-737-16-55  
info.es@hikvision.com

**Hikvision Canada**  
T +1-909-895-0400  
sales.usa@hikvision.com

**Hikvision Russia**  
T +7-495-669-67-99  
saleru@hikvision.com

**Hikvision Poland**  
T +48-22-460-01-50  
poland@hikvision.com

**Hikvision Korea**  
T +82-31-731-8841  
sales.korea@hikvision.com

**Hikvision India**  
T +91-22-28469900  
sales@pramahikvision.com

**Hikvision UK**  
T +01628-902140  
support.uk@hikvision.com

**Hikvision Brazil**  
T +55 11 3318-0050  
Latam.support@hikvision.com

**05058020200423**