

**DS-2CD6626DS-IZ(H)S**

**2 MP Ultra Low-Light Anti-Corrosion Dome Camera**



## Key Features

- 1/1.8" progressive scan CMOS
- Up to 2.0 megapixel high resolution
- 120 dB wide dynamic range
- On-board storage, up to 128 GB
- IR distance: 10 to 30 m
- 24 VAC/12 VDC /PoE (802.3at)
- Anti-corrosion standard: WF2, C5-M, NEMA-4XMA 4X
- IP 67



## Specifications

<b>Camera</b>	
Image Sensor	1/1.8" progressive scan CMOS
Min. Illumination	Color: 0.002 Lux @ (F1.2, AGC ON) B/W: 0.0002 Lux @ (F1.2, AGC ON)
Shutter Speed	1 s to 1/100,000 s, support slow shutter
Lens	2.8 to 12 mm F1.4, horizontal field of view: 92° to 32°
Lens Mount	Φ 14
Day & Night	IR cut filter with auto switch
Digital Noise Reduction	3D DNR
Wide Dynamic Range	120 dB
3-axis adjustment	Pan: 0° to 355°, tilt: 0° to 75°, rotation: 0° to 355°
<b>Compression Standard</b>	
Video Compression	H.264/MJPEG/MPEG4
H.264 Type	Baseline profile/main profile/high profile
Video Bit Rate	32 Kbps to 16 Mbps
Audio Compression	G.711/G.722.1/G.726/MP2L2/PCM
Audio Bit Rate	64 Kbps (G.711)/16 Kbps (G.722.1)/16 Kbps (G.726)/32 to 128 Kbps (MP2L2)
<b>Image</b>	
Max. Resolution	1920 × 1080
Main Stream Max. Frame Rate	50 Hz: 50 fps (1920 × 1080, 1280 × 960, 1280 × 720) 60 Hz: 60 fps (1920 × 1080, 1280 × 960, 1280 × 720)
Sub Stream Max. Frame Rate	PAL: 50 Hz: 25 fps (352 × 288, 640 × 480, 704 × 576), NTSC: 25 fps (352 × 240, 640 × 480, 704 × 480) PAL: 60 Hz: 30 fps (352 × 288, 640 × 480, 704 × 576), NTSC: 25 fps (352 × 240, 640 × 480, 704 × 480)
Third Stream Max. Frame Rate	Independent with Main Stream and Sub Stream, up to: 50 Hz: 25 fps (1920 × 1080) 60 Hz: 30 fps (1920 × 1080)
Image Settings	Corridor mode, rotate mode, saturation, brightness, contrast, and sharpness are adjustable by client software or web browser
Backlight Compensation	Yes, zone optional
Defog	Support
EIS	Support
HLC	Support
Picture Overlay	Support 24-bit, BMP, image overlay, zone optional
Day/Night Switch	Auto, schedule, alarm trigger
ROI	Up to 4 fixed areas in each stream or dynamic tracking
<b>Network</b>	
Network Storage	Micro SD/SDHC/SDXC card (up to 128 GB) local storage and NAS (NFS, SMB/CIFS)
Alarm Trigger	Tampering alarm, network disconnect, IP address conflict, storage full, storage error
Smart features	Behavior analysis, line crossing detection, intrusion detection, region entrance detection, unattended Baggage, object removal, exception detection
Protocols	TCP/IP, ICMP, HTTP, HTTPS, FTP, DHCP, DNS, DDNS, RTP, RTSP, RTCP, PPPoE, NTP, UPnP, SMTP, SNMP, IGMP, 802.1X, QoS, IPv6, Bonjour

Standard	ONVIF (PROFILE S, PROFILE G), ISAPI
General function	One-key recovery, anti-flicker, three streams, heartbeat, mirror, password protection, privacy mask, watermark, IP address filtering, anonymous access
<b>Interface</b>	
Audio interface	Audio in (mic in/line in)/output external interface (plug wire type)
Communication	1 RJ45 10M/100M Ethernet network
Housing interface	1 anti-corrosion inlet protected by a metal hose
Video Output	1 Vp-p composite output (75 Ω/BNC)
Alarm	1 input/1 output (up to 24 V DC 1A or 110 V AC 500 mA)
<b>General</b>	
Operating Conditions	-40°C to 60 °C (-40 °F to 140 °F), Humidity 95% or less (non-condensing)
Power Supply	24 VAC/12 VDC/PoE (802.3at)
Material	316 L
Ingress Protection	IP 67
Anti-Corrosion	WF2, NEMA-4X C5-M: 720H neutral salt spray, 480H water condensation; Exterior environments: industrial areas with high humidity and aggressive atmosphere and coastal areas with high salinity; Interior environments: buildings or areas with almost permanent condensation and with high pollution.
Power Consumption	Max. 16 W
IR Distance	10 to 30 m
Electric auxiliary heating	-H: With intelligent heating
Dimensions (mm)	Φ 165.4 mm × 130 mm (6.5" × 5.1")
Weight	3360 g (7.4 lb.)

## Order Models

DS-2CD6626DS-IZS, DS-2CD6626DS-IZHS

## Accessories

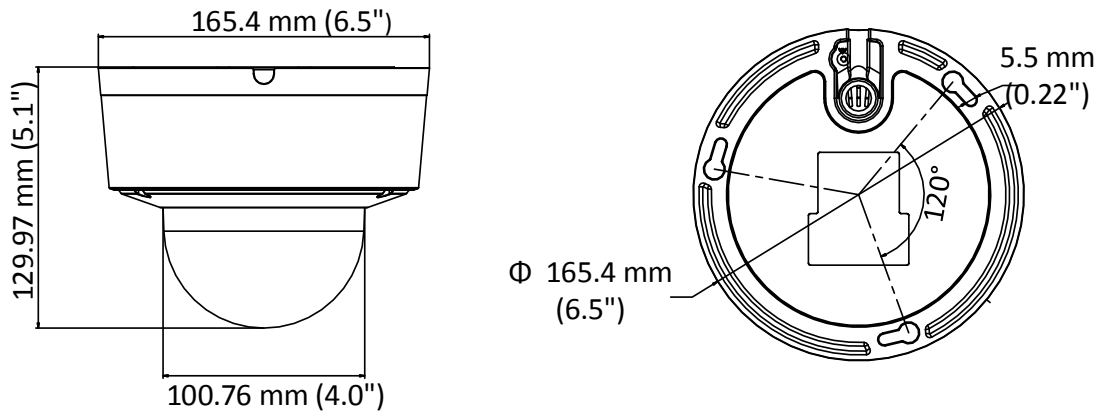


DS-1284ZJ-M-AC  
Junction Box



DS-1703ZJ-AC  
Wall Mount

**Dimension**



Distributed by



**HIKVISION**

**Headquarters**

No.555 Qianmo Road, Binjiang District,  
Hangzhou 310051, China  
T +86-571-8807-5998  
overseasbusiness@hikvision.com

**Hikvision USA**  
T +1-909-895-0400  
sales.usa@hikvision.com

**Hikvision Australia**  
T +61-2-8599-4233  
salesau@hikvision.com

**Hikvision India**  
T +91-22-28469900  
sales@pramahikvision.com

**Hikvision Canada**  
T +1-866-200-6690  
sales.canada@hikvision.com

**Hikvision Thailand**  
T +662-275-9949  
sales.thailand@hikvision.com

**Hikvision Europe**  
T +31-23-5542770  
sales.eu@hikvision.com

**Hikvision Italy**  
T +39-0438-6902  
info.it@hikvision.com

**Hikvision Brazil**  
T +55 11 3318-0050  
Latam.support@hikvision.com

**Hikvision Turkey**  
T +90 (216)521 7070- 7074  
sales.tr@hikvision.com

**Hikvision Malaysia**  
T +601-7652-2413  
sales.my@hikvision.com

**Hikvision UK & Ireland**  
T +01628-902140  
sales.uk@hikvision.com

**Hikvision South Africa**  
Tel: +27 (10) 0351172  
sale.africa@hikvision.com

**Hikvision France**  
T +33(0)1-85-330-450  
info.fr@hikvision.com

**Hikvision Kazakhstan**  
T +7-727-9730667  
nikia.panfilov@hikvision.ru

**Hikvision Vietnam**  
T +84-974270888  
sales.vt@hikvision.com

**Hikvision UAE**  
T +971-4-4432090  
salesme@hikvision.com

**Hikvision Singapore**  
T +65-6684-4718  
sg@hikvision.com

**Hikvision Spain**  
T +34-91-737-16-55  
info.es@hikvision.com

**Hikvision Tashkent**  
T +99-87-1238-9438  
uzb@hikvision.ru

**Hikvision Hong Kong**  
T +852-2151-1761  
info.hk@hikvision.com

**Hikvision Russia**  
T +7-495-669-67-99  
saleru@hikvision.com

**Hikvision Korea**  
T +82-(0)31-731-8817  
sales.korea@hikvision.com

**Hikvision Poland**  
T +48-22-460-01-50  
info.pl@hikvision.com

**Hikvision Indonesia**  
T +62-21-2933759  
Sales.Indonesia@hikvision.com

**Hikvision Colombia**  
sales.colombia@hikvision.com