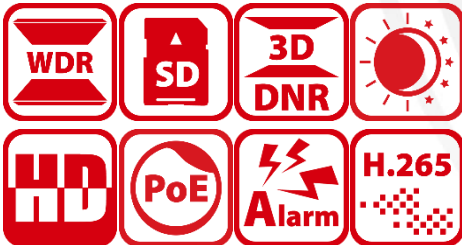


## DS-2DF5232X-AE3 (T3) 2 MP 32 × Network Speed Dome

**DarkFighter**



Hikvision DS-2DF5232X-AE3 2 MP 32 × Network Speed Dome adopts 1/2.8" progressive scan CMOS chip. With the 32 × optical zoom lens, the camera offers more details over expansive areas.

This series of cameras can be widely used for wide ranges of high-definition, such as the rivers, forests, roads, railways, airports, ports, squares, parks, scenic spots, stations and large venues, etc.

- 1/2.8" progressive scan CMOS
- Up to 1920 × 1080 resolution
- Min. illumination:  
Color: 0.002 Lux @(F1.2, AGC ON)  
B/W: 0.0002 Lux @(F1.2, AGC ON)
- 32 × optical zoom, 16 × digital zoom
- 120dB WDR, 3D DNR, HLC
- 24 VAC & Hi-PoE
- Support H.265+/H.265 video compression
- Deep-learning-based target classification algorithm for auto-tracking 2.0 and perimeter protection
- Support face capture to detect, track, capture, grade, and select face in motion
- Support road traffic to detect vehicles, including license plate number, vehicle model, and vehicle color
- IK 10



## Specifications

Camera Module	
Image Sensor	1/2.8" progressive scan CMOS
Min. Illumination	Color: 0.002 Lux @(F1.2, AGC ON); B/W: 0.0002 Lux @(F1.2, AGC ON)
Shutter Time	1 to 1/30,000 s
White Balance	Auto/Manual/ATW (Auto-tracking White Balance)/Indoor/Outdoor/Fluorescent Lamp/Sodium Lamp
Day & Night	IR Cut Filter
Digital Zoom	16 ×
Privacy Mask	Up to 24 masks, polygon region, mosaic mask, mask color configurable
Focus Mode	Auto/Semi-automatic/Manual
3D DNR	Yes
BLC	Yes
HLC	Yes
WDR	120 dB WDR
Defog	Yes
EIS	Yes
Regional Exposure	Yes
Regional Focus	Yes
Lens	
Focal Length	4.8 to 153 mm, 32 × optical zoom
Zoom Speed	Approx. 5.6 s (optical lens, wide-tele)
Field of View	Horizontal field of view: 58.4° to 2.14° (wide-tele) Vertical field of view: 33.8° to 1.2° (wide-tele) Diagonal field of view: 65.6° to 2.46° (wide-tele)
Aperture	F1.2
PTZ	
Movement Range (Pan)	360° endless
Pan Speed	Configurable, from 0.1°/s to 300°/s. Preset speed: 540°/s
Movement Range (Tilt)	From -15° to 90° (auto flip)
Tilt Speed	Configurable, from 0.1°/s to 240°/s. Preset speed: 400°/s
Proportional Zoom	Yes
Presets	300
Patrol Scan	8 patrols
Pattern Scan	4 pattern scans
Power-off Memory	Yes
Park Action	Preset/Pattern Scan/Patrol Scan/Auto Scan/Tilt Scan/Random Scan/Frame Scan/Panorama Scan
3D Positioning	Yes
PTZ Status Display	Yes
Preset Freezing	Yes

Scheduled Task	Preset/Pattern Scan/Patrol Scan/Auto Scan/Tilt Scan/Random Scan/Frame Scan/Panorama Scan/Dome Reboot/Dome Adjust/Aux Output
<b>Smart Features</b>	
Face Capture	Support detecting up to 30 faces at the same time. Support detecting, tracking, capturing, grading, selecting of face in motion, and output the best face picture of the face.
Road Traffic	Support vehicle detection (license plate number, vehicle model, and vehicle color recognition)
Basic Event	Audio exception detection, motion detection, alarm input and output
Smart Event	Intrusion detection, line crossing detection, region entrance detection, region exiting detection, unattended baggage detection, object removal detection
Smart Tracking	Manual tracking, auto tracking (support tracking specified target types such as human and vehicle), event tracking
Smart Record	ANR (Automatic Network Replenishment), Dual-VCA
ROI	dynamic face tracking, dynamic license plate tracking, dynamic target tracking
Premier Protection	Line crossing, intrusion, region entrance, region exiting Support alarm triggering by specified target types (human and vehicle)
<b>Network</b>	
Max. Resolution	1920 × 1080
Main Stream	50Hz: 25fps (1920 × 1080, 1280 × 960, 1280 × 720) 60Hz: 30fps (1920 × 1080, 1280 × 960, 1280 × 720)
Sub-Stream	50Hz: 25fps (704 × 576, 640 × 480, 352 × 288) 60Hz: 30fps (704 × 480, 640 × 480, 352 × 240)
Third Stream	50Hz: 25fps (1920 × 1080, 1280 × 960, 1280 × 720, 704 × 576, 640 × 480, 352 × 288) 60Hz: 30fps (1920 × 1080, 1280 × 960, 1280 × 720, 704 × 480, 640 × 480, 352 × 240)
SVC	Yes
Video Compression	H.265/H.264/MJPEG
H.264 Type	baseline profile, main profile, high profile
H.265 Type	main profile
H.264+	Yes
H.265+	Yes
Audio Compression	G.711alaw/G.711ulaw/G.722.1/G.726/MP2L2/PCM
Protocols	IPv4/IPv6, HTTP, HTTPS, 802.1x, Qos, FTP, SMTP, UPnP, SNMP, DNS, DDNS, NTP, RTSP, RTCP, RTP, TCP/IP, DHCP, PPPoE, UDP, IGMP, ICMP, Bonjour
Simultaneous Live View	Up to 20 channels
User/Host	Up to 32 users. 3 user levels: administrator, operator and user
Security Measures	User authentication (ID and PW), Host authentication (MAC address); HTTPS encryption; IEEE 802.1x port-based network access control; IP address filtering
<b>System Integration</b>	
Alarm Interface	7-ch alarm input/2-ch alarm output
Audio Interface	1-ch audio input, 2.0 to 2.4 V[p-p], 1kΩ ± 10% 1-ch audio output , line level, impedance: 600Ω

Alarm Linkage	Preset, patrol scan, pattern scan, memory card video recording, sending email, notify surveillance center, upload to FTP, NAS video recording
Network Interface	RJ45, self-adaptive 10 M/100 M Ethernet Interface
BNC	1.0V [p-p]/75 Ω, NTSC (or PAL) composite
RS-485	Half duplex, HIKVISION, Pelco-P, Pelco-D, self-adaptive
Storage	Built-in memory card slot, support Micro SD/Micro SDHC/Micro SDXC, up to 256 GB; NAS (NFS, SMB/ CIFS), ANR
API	ONVIF (Profile S, Profile G, Profile T), ISAPI, SDK
Client	iVMS-4200, Hik-Connect, HikCentral
Web Browser	IE 8 to 11, Chrome 31.0+, Firefox 30.0+, Safari 11+
<b>General</b>	
Language	32 languages. English, Russian, Estonian, Bulgarian, Hungarian, Greek, German, Italian, Czech, Slovak, French, Polish, Dutch, Portuguese, Spanish, Romanian, Danish, Swedish, Norwegian, Finnish, Croatian, Slovenian, Serbian, Turkish, Korean, Traditional Chinese, Thai, Vietnamese, Japanese, Latvian, Lithuanian, Portuguese (Brazil)
Power	24 V, 2.5 A, 50/60Hz, AC (max. 25 W), Hi-PoE, 42.5 to 57 V, 1.41 A (max. 25 W)
Working Temperature	-10°C to 50°C (14°F to 122°F)
Working Humidity	≤95%
Protection Level	IK10
Dimensions	Φ 245.1 mm × 239 mm (Φ 9.65" × 9.41")
Weight	Approx. 3.4 kg (7.50 lb)

## DORI

The DORI (detect, observe, recognize, identify) distance gives the general idea of the camera ability to distinguish persons or objects within its field of view. It is calculated based on the camera sensor specification and the criteria given by EN 62676-4: 2015.

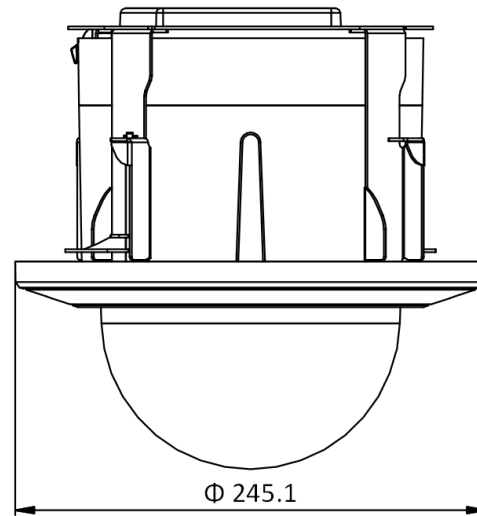
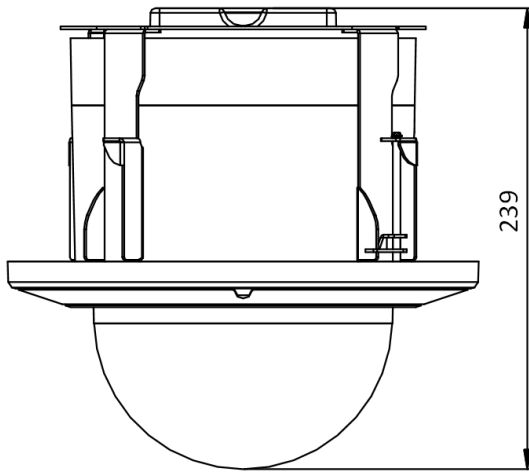
DORI	Detect	Observe	Recognize	Identify
Definition	25 px/m	63 px/m	125 px/m	250 px/m
Distance (Tele)	2046.9 m (6715.5 ft)	812.3 m (2664.9 ft)	409.4 m (1343.1 ft)	204.7 m (671.6 ft)

## Available Model

DS-2DF5232X-AE3 (T3)

**Dimensions**

Indoor Speed Dome



Unit: mm

**Accessory**

**Optional**



LAS60-57CN-RJ45  
Hi-PoE Midspan



TEAC-66-243000V (EU)  
MKAC-66-243000U (USA)  
TEAC-66-243000VB (UK)  
Power adapter  
(for outdoor model)



HKA-A24220-230 (EU)  
HKKD-12077 (USA)  
HKA-A24250-230-BS (UK)  
PSE-A1525/5060 (JP)  
Power adapter  
(for indoor model)

Distributed by

**HIKVISION®****Headquarters**

No.555 Qianmo Road, Binjiang District,  
Hangzhou 310051, China  
T +86-571-8807-5998  
overseasbusiness@hikvision.com

**Hikvision USA**  
T +1-909-895-0400  
sales.usa@hikvision.com

**Hikvision Australia**  
T +61-2-8599-4233  
salesau@hikvision.com

**Hikvision India**  
T +91-22-28469900  
sales@pramahikvision.com

**Hikvision Canada**  
T +1-866-200-6690  
sales.canada@hikvision.com

**Hikvision Thailand**  
T +662-275-9949  
sales.thailand@hikvision.com

**Hikvision Europe**  
T +31-23-5542770  
sales.eu@hikvision.com

**Hikvision Italy**  
T +39-0438-6902  
info.it@hikvision.com

**Hikvision Brazil**  
T +55 11 3318-0050  
Latam.support@hikvision.com

**Hikvision Turkey**  
T +90 (216)521 7070- 7074  
sales.tr@hikvision.com

**Hikvision Malaysia**  
T +601-7652-2413  
sales.my@hikvision.com

**Hikvision UK & Ireland**  
T +01628-902140  
sales.uk@hikvision.com

**Hikvision South Africa**  
Tel: +27 (10) 0351172  
sale.africa@hikvision.com

**Hikvision France**  
T +33(0)1-85-330-450  
info.fr@hikvision.com

**Hikvision Kazakhstan**  
T +7-727-9730667  
nikia.panfilov@hikvision.ru

**Hikvision Vietnam**  
T +84-974270888  
sales.vt@hikvision.com

**Hikvision UAE**  
T +971-4-4432090  
salesme@hikvision.com

**Hikvision Singapore**  
T +65-6684-4718  
sg@hikvision.com

**Hikvision Spain**  
T +34-91-737-16-55  
info.es@hikvision.com

**Hikvision Tashkent**  
T +99-87-1238-9438  
uzb@hikvision.ru

**Hikvision Hong Kong**  
T +852-2151-1761  
info.hk@hikvision.com

**Hikvision Russia**  
T +7-495-669-67-99  
sateru@hikvision.com

**Hikvision Korea**  
T +82-[0]31-731-8817  
sales.korea@hikvision.com

**Hikvision Poland**  
T +48-22-460-01-50  
info.pl@hikvision.com

**Hikvision Indonesia**  
T +62-21-2933759  
Sales.Indonesia@hikvision.com

**Hikvision Colombia**  
sales.colombia@hikvision.com