

iDS-2PT9A144MXS-D/T2(1352/6) PanoVu PT Series 4MP + 4MP Target Capture Camera



Hikvision iDS-2PT9A144MXS-D/T2 (1352/6) PanoVu PT Series 4MP + 4MP Target Capture Camera is able to capture distant view images as well as close-up images with the integration design of distant view camera and tracking PTZ camera.

This series of camera can be widely used in the scenes where wide monitoring range and high definition are required, such as the entrance/exit, airport, port, wharf, reservoir, square, park, scenic spot, and station, etc.

Panoramic Camera

- 1/1.8" progressive scan CMOS
- Up to 2560 × 1440 resolution
- Horizontal field of view: 54°
- Min. illumination:
Color: 0.002 Lux@(F1.0, AGC ON),
B/W: 0.0005 Lux@(F1.0, AGC ON)
0 Lux with white light

Tracking PTZ Camera

- 1/1.8" progressive scan CMOS
- Up to 2560 × 1440 resolution
- Horizontal field of view: 32° to 8°
- Pan and tilt range: 0° to 210° (Pan), -15° to 22° (Tilt)
- Min. illumination:
Color: 0.0035 Lux@(F1.6, AGC ON)
0 Lux with supplement light
- 4 × optical zoom, 16× digital zoom



▪ Specification

Camera	
Image Sensor	Two sensors, 1/1.8" progressive scan CMOS
Min. Illumination	[Panoramic channel] Color: 0.002 Lux@(F1.0, AGC ON), B/W: 0.0005 Lux@(F1.0, AGC ON), 0 Lux with white light; [PTZ channel] Color: 0.0035 Lux @ (F1.6, AGC ON), 0 Lux with supplement light
Slow Shutter	Yes
Day & Night	IR cut filter
Zoom	[PTZ channel] 4x optical, 16x digital
Max. Resolution	2560 × 1440
Lens	
Focus	Auto, semi-auto, manual
Focal Length	[Panoramic channel] 6 mm, [PTZ channel] 13 to 52 mm
Zoom Speed	[PTZ channel] approx. 1.8 s (optical, wide-tele)
FOV	[Panoramic channel] horizontal FOV 54°, vertical FOV 29°, diagonal FOV 63° [PTZ channel] horizontal FOV 32° to 8°, vertical FOV 18° to 4.5°, diagonal FOV 37° to 9°
Aperture	[Panoramic channel] F1.0, [PTZ channel] F1.6
Illuminator	
Supplement Light Range	[PTZ channel] up to 30 m for human face, and up to 40 m for human body. Adjusted automatically according to scenes to prevent overexposure [Panoramic channel] warm white light, up to 15 m for vehicle
Smart Supplement Light	Yes
IR Wavelength	[PTZ channel] hybrid illumination, max. wavelength 750 nm
PTZ	
Movement Range (Pan)	[PTZ channel] 0-210°
Movement Range (Tilt)	[PTZ channel] -15° to 22°
Pan Speed	[PTZ channel] pan speed: configurable from 0.1° to 200°/s; preset speed: 300°/s
Tilt Speed	[PTZ channel] tilt speed: configurable from 0.1° to 120°/s, preset speed 120°/s
Proportional Pan	Yes
Presets	300
Patrol Scan	8 patrols, up to 32 presets for each patrol
Pattern Scan	No
Power-off Memory	Yes
Park Action	Preset, patrol scan

3D Positioning	Yes
PTZ Status Display	Yes
Preset Freezing	No
Scheduled Task	Preset, patrol scan, dome reboot, dome adjust, aux output
Video	
Main Stream	[Both channels] 50Hz: 25fps (2560 × 1440, 1920 × 1080, 1280 × 960, 1280 × 720) 60Hz: 30fps (2560 × 1440, 1920 × 1080, 1280 × 960, 1280 × 720)
Sub-Stream	[Both channels] 50Hz: 25fps (704 × 576, 640 × 480, 352 × 288) 60Hz: 30fps (704 × 480, 640 × 480, 352 × 240)
Third Stream	[Both channels] 50Hz: 25fps (1920 × 1080, 1280 × 960, 1280 × 720, 704 × 576, 640 × 480, 352 × 288) 60Hz: 30fps (1920 × 1080, 1280 × 960, 1280 × 720, 704 × 480, 640 × 480, 352 × 240)
Video Compression	Main stream: H.265+/H.265/H.264+/H.264 Sub-stream: H.265/H.264/MJPEG Third stream: H.265/H.264/MJPEG
Video Bit Rate	32 - 16384 Kbps
H.264 Type	Baseline profile, main profile, high profile
H.265 Type	Main profile
Scalable Video Coding (SVC)	H.264 and H.265 encoding
Region of Interest (ROI)	No
Target Cropping	No
Audio	
Audio Compression	G.711alaw, G.711ulaw, G.722.1, G.726, MP2L2, PCM
Environment Noise Filtering	Yes
Network	
Network Storage	NAS (NFS, SMB/ CIFS)
Protocols	ISUP, IPv4/IPv6, HTTP, HTTPS, 802.1x, QoS, FTP, SMTP, UPnP, SNMP, DNS, DDNS, NTP, RTSP, RTCP, RTP, TCP/IP, UDP, IGMP, ICMP, DHCP, PPPoE, Bonjour
API	ONVIF (Profile S, Profile G, Profile T), ISAPI, Hikvision SDK, Ehome, Hik-Connect
Simultaneous Live View	Up to 20 channels
User/Host	Up to 32 users, 3 user levels: administrator, operator, and user
Security	Authenticated username and password, HTTPS encryption, 802.1X authenticated access, IP address filter

Client	iVMS-4200, HikCentral Pro, Hik-Connect
Web Browser	IE 8-11, Firefox 30+, Chrome 41+, Safari 11+
Image	
Day/Night Switch	Day, night, auto, scheduled-switch
Image Enhancement	BLC, HLC, 3D DNR
Wide Dynamic Range (WDR)	120 dB WDR
Defog	Yes
Image Stabilization	EIS
Regional Exposure	Yes
Regional Focus	Yes
Image Settings	Saturation, brightness, contrast, sharpness, gain, and white balance adjustable by client software or web browser
Image Parameters Switch	Yes
Privacy Mask	Up to 24 masks, mask color configurable, rectangle region
SNR	≥ 55 dB
Interface	
Power Output	No
Ethernet Interface	RJ45, Self-adaptive 10M/100M/1000M Ethernet port
Fiber Optical	No
On-board Storage	Built-in memory card slot, support microSD/microSDHC/microSDXC (up to 256 GB)
Alarm	1 input, 1 output
Audio	1 input (line in), max. input amplitude: 2-2.4 vpp, input impedance: 1 KΩ ± 10%; 1 output (line out), line level, output impedance: 600 Ω
RS-485	No
Reset	Yes
Event	
Basic Event	Motion detection, video tampering alarm, alarm input and output, exception
Smart Event	Scene change detection
Smart Tracking	No
Alarm Linkage	Memory card video recording, alarm output, sending email, notify surveillance center, upload to FTP
Deep Learning Function	
Multi-Target-Type Detection	Both camera channels support detecting and capturing human face and body. The panoramic channel provides additional vehicle detection and capture

Face Capture	Detects up to 30 faces at the same time. Supports detecting, tracking, capturing, grading, selecting of face in motion, and outputs the best face picture
Face Comparison	Yes
General	
General Function	Password protection, watermark, IP address filter
Power	36 VDC \pm 25%, max. 60 W (including max. 6 W for panorama channel illuminator, max. 7.8 W for PTZ channel illuminator, max. 10 W for heater)
Operating Condition	Outdoor: -40°C to 70°C (-40°F to 158°F), humidity lower than 90%RH
Demist	Yes
Material	Aluminum alloy ADC12, PC, PC + ABS, PC + 10%gf
Dimension	230 mm \times 277 mm \times 470 mm (9.06" \times 10.91" \times 18.5")
Weight	Approx. 4.9 kg (10.8 lb.) for camera, 2.9 kg (6.39 lb.) for included wall mount, 7.8 kg (16.53 lb.) in total
Language	English, Russian, Estonian, Bulgarian, Hungarian, Greek, German, Italian, Czech, Slovak, French, Polish, Dutch, Portuguese, Spanish, Romanian, Danish, Swedish, Norwegian, Finnish, Croatian, Slovenian, Serbian, Turkish, Korean, Traditional Chinese, Thai, Vietnamese, Japanese, Latvian, Lithuanian, Portuguese (Brazil)
Approval	
EMC	Lightning Protection, Surge Protection and Voltage Transient Protection, \pm 6kV Line to Gnd, \pm 3kV Line to Line, IEC61000-4-5
Protection	IP66

DORI (Tracking PTZ Camera)

The DORI (detect, observe, recognize, identify) distance gives the general idea of the camera ability to distinguish persons or objects within its field of view.

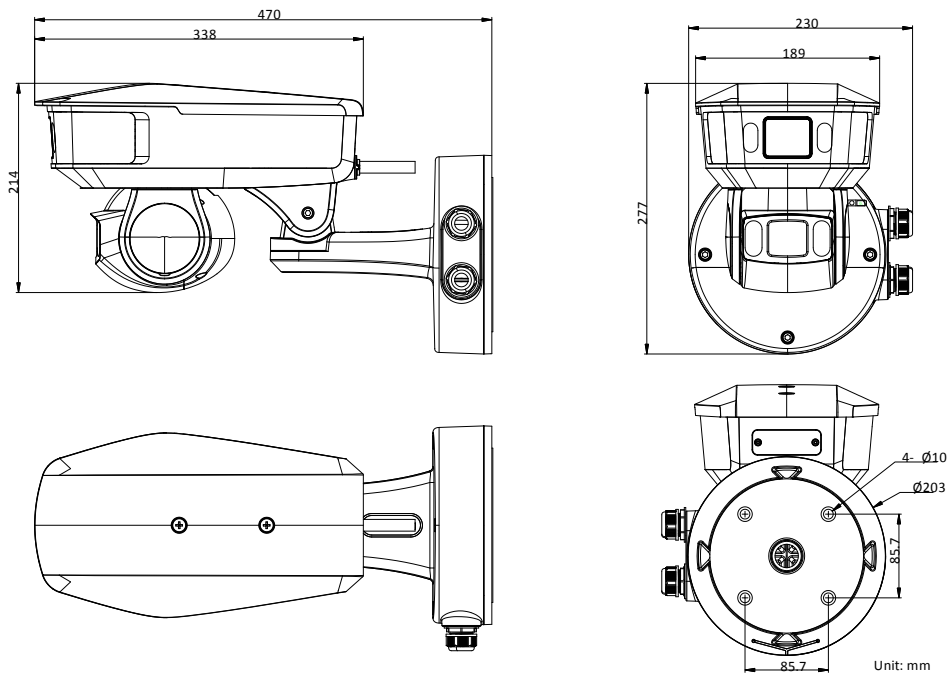
It is calculated based on the camera sensor specification and the criteria given by EN 62676-4: 2015.

DORI	Detect	Observe	Recognize	Identify
Definition	25 px/m	63 px/m	125 px/m	250 px/m
Distance (Tele)	758.6 m (2488.8 ft)	301.0 m (987.5 ft)	151.7 m (497.7 ft)	75.9 m (249 ft)

Available Model

iDS-2PT9A144MXS-D/T2 (1352/6)

Dimension



Accessory

Included



DS-2601ZJ-P
Wall Mount

Optional



DS-2665ZJ-Pole-P
Base Mount + Horizontal Pole Mount



DS-2664ZJ-P
Pendant Mount



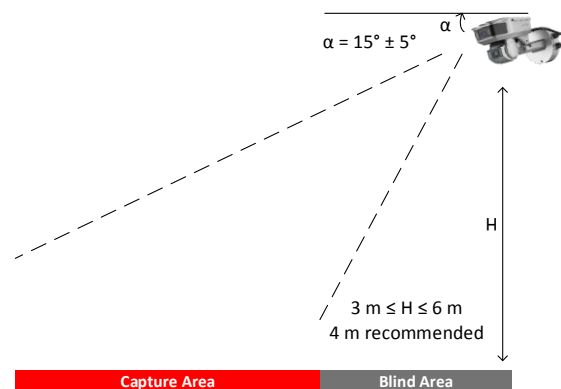
DS-2115ZJ-P
Vertical Pole Mount



DS-2FA3616-DZ-HW
Power Adapter

Installation Recommendation

Tilt angle and mounting height influence the result and accuracy of detections. Recommended tilt angle (α) and mounting height (H) are show in the figure on the right.



Distributed by

**HIKVISION®****Headquarters**

No.555 Qianmo Road, Binjiang District,
Hangzhou 310051, China
T +86-571-8807-5998
overseasbusiness@hikvision.com

Hikvision USA

T +1-909-895-0400
sales.usa@hikvision.com

Hikvision Australia

T +61-2-8599-4233
salesau@hikvision.com

Hikvision India

T +91-22-28469900
sales@pramahikvision.com

Hikvision Canada

T +1-866-200-6690
sales.canada@hikvision.com

Hikvision Thailand

T +662-275-9949
sales.thailand@hikvision.com

Hikvision Europe

T +31-23-5542770
sales.eu@hikvision.com

Hikvision Italy

T +39-0438-6902
info.it@hikvision.com

Hikvision Brazil

T +55 11 3318-0050
Latam.support@hikvision.com

Hikvision Turkey

T +90 (216)521 7070- 7074
sales.tr@hikvision.com

Hikvision Malaysia

T +601-7652-2413
sales.my@hikvision.com

Hikvision UK & Ireland

T +01628-902140
sales.uk@hikvision.com

Hikvision South Africa

Tel: +27 (10) 0351172
sale.africa@hikvision.com

Hikvision France

T +33(0)1-85-330-450
info.fr@hikvision.com

Hikvision Kazakhstan

T +7-727-9730667
nikia.panfilov@hikvision.ru

Hikvision Vietnam

T +84-974270888
sales.vt@hikvision.com

Hikvision UAE

T +971-4-4432090
salesme@hikvision.com

Hikvision Singapore

T +65-6684-4718
sg@hikvision.com

Hikvision Spain

T +34-91-737-16-55
info.es@hikvision.com

Hikvision Tashkent

T +99-87-1238-9438
uzb@hikvision.ru

Hikvision Hong Kong

T +852-2151-1761
info.hk@hikvision.com

Hikvision Russia

T +7-495-669-67-99
saleru@hikvision.com

Hikvision Korea

T +82-(0)31-731-8817
sales.korea@hikvision.com

Hikvision Poland

T +48-22-460-01-50
info.pl@hikvision.com

Hikvision Indonesia

T +62-21-2933759
Sales.Indonesia@hikvision.com

Hikvision Colombia

sales.colombia@hikvision.com