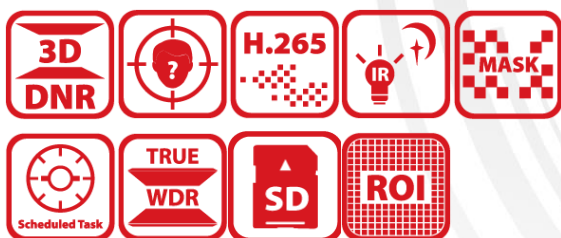


## DS-2DY5225IX-AE(T5)

### 2 MP 25 × Ultra-low illumination IR Positioning System Lite



- 1/1.8" progressive scan CMOS
- Up to 1920 × 1080 @ 30 fps resolution
- Min. illumination: Color: 0.005 Lux @ (F1.5, AGC ON), B/W: 0.001 Lux @ (F1.5, AGC ON), 0 Lux with IR
- 25 × optical zoom, 16 × digital zoom
- Low bit rate, true WDR, Defog, Smart IR
- Power-off memory, proportional zoom
- Up to 250 m IR distance
- Support Hi-PoE



## ▪ DORI

The DORI (detect, observe, recognize, identify) distance gives the general idea of the camera ability to distinguish persons or objects within its field of view. It is calculated based on the camera sensor specification and the criteria given by EN 62676-4: 2015.

DORI	Detect	Observe	Recognize	Identify
Definition	25 px/m	63 px/m	125 px/m	250 px/m
Distance(Tele)	1855.2 m (6086.61 ft)	736.2 m (2415.35 ft)	371 m (1217.19 ft)	185.5 m (608.6 ft)

## ▪ Specification

Camera	
Image Sensor	1/1.8" progressive scan CMOS
Max. Resolution	1920 × 1080
Min. Illumination	color: 0.005 Lux @ (F1.5, AGC ON), B/W: 0.001 Lux @ (F1.5, AGC ON), 0 Lux with IR
Shutter Speed	1/1s~1/30000 s
Day & Night	ICR
Zoom	25 × optical, 16 × digital
Slow Shutter	Yes
Lens	
Focal Length	5.9~147.5 mm, 25 × optical
FOV	Horizontal FOV: 55.4° to 2.1° (wide-tele), Vertical FOV: 32.4° to 1.2° (wide-tele), Diagonal FOV: 62° to 3.3° (wide-tele)
Focus	Auto/Semi-automatic/Manual
Aperture	F1.5
Zoom Speed	approx. 4.8 s
Illuminator	
Supplement Light Type	IR
Supplement Light Range	250 m
Smart Supplement Light	Yes
PTZ	
Movement Range (Pan)	360° endless
Movement Range (Tilt)	From +90° to -90° (auto flip)
Pan Speed	Configurable, from 0.1°/s to 150°/s, Preset speed: 150°/s
Tilt Speed	Configurable, from 0.1°/s to 80°/s Preset Speed: 80°/s
Proportional Pan	Yes
Presets	300
Preset Freezing	Yes
Patrol Scan	8 patrols, up to 32 presets for each patrol
Pattern Scan	4 pattern scans, record time over 10 minutes for each scan
Park Action	Preset/Pattern Scan/Patrol Scan/Auto Scan/Tilt Scan/Random Scan/Frame Scan/Panorama Scan
3D Positioning	Yes

PTZ Status Display	Yes
Scheduled Task	Preset/Pattern Scan/Patrol Scan/Auto Scan/Tilt Scan/Random Scan/Frame Scan/Panorama Scan/Dome Reboot/Dome Adjust/Aux Output
Power-off Memory	Yes
<b>Video</b>	
Main Stream	50 Hz: 25 fps (1920 × 1080, 1280 × 960, 1280 × 720) 60 Hz: 30 fps (1920 × 1080, 1280 × 960, 1280 × 720)
Sub-Stream	50 Hz: 25 fps (704 × 576, 640 × 480, 352 × 288) 60 Hz: 30 fps (704 × 480, 640 × 480, 352 × 240)
Third Stream	50 Hz: 25 fps (1920 × 1080, 1280 × 960, 1280 × 720, 704 × 576, 640 × 480, 352 × 288) 60 Hz: 30 fps (1920 × 1080, 1280 × 960, 1280 × 720, 704 × 480, 640 × 480, 352 × 240)
Video Compression	Main Stream: H.265+/H.265/H.264+/H.264 Sub-stream: H.265/H.264/MJPEG Third Stream: H.265/H.264/MJPEG
Video Bit Rate	32 Kbps to 16384 Kbps
H.264 Type	Baseline Profile/Main Profile/High Profile
H.265 Type	Main Profile
Scalable Video Coding (SVC)	Support
Region of Interest (ROI)	8 fixed regions for each stream
<b>Audio</b>	
Audio Compression	G.711alaw, G.711ulaw, G.722.1, G.726, MP2L2, PCM
Audio Bit Rate	64 Kbps (G.711)/16 Kbps (G.722.1)/16 Kbps (G.726)/32-192 Kbps (MP2L2)
Audio Sampling Rate	8 kHz/16 kHz/32 kHz/48 kHz
Environment Noise Filtering	Yes
<b>Network</b>	
Protocols	IPv4/IPv6, HTTP, HTTPS, 802.1x, QoS, FTP, SMTP, UPnP, SNMP, DNS, DDNS, NTP, RTSP, RTCP, RTP, TCP/IP, UDP, IGMP, ICMP, DHCP, PPPoE, Bonjour, Websocket, Websockets
Simultaneous Live View	Up to 20 channels
API	Open Network Video Interface (Version 19.12, Profile S, Profile G, Profile T), ISAPI, SDK, ISUP
User/Host	Up to 32 users, 3 user levels: administrator, operator, and user
Security	Password protection, complicated password, HTTPS encryption, 802.1X authentication (EAP-TLS, EAP-LEAP, EAP-MD5), watermark, IP address filter, basic and digest authentication for HTTP/HTTPS, RTP/RTSP over HTTPS, control timeout settings, security audit log, TLS 1.2, TLS 1.3, host authentication (MAC address)
Network Storage	NAS (NFS, SMB/CIFS), auto network replenishment (ANR)
Client	iVMS-4200, HikCentral Pro, Hik-Connect
Web Browser	IE11, Chrome 57+, Firefox 52+, Safari 11+
<b>Image</b>	
Image Parameters Switch	Yes
Image Settings	Saturation, brightness, contrast, sharpness, gain, and white balance adjustable by client software or web browser
Day/Night Switch	Day, Night, Auto, Schedule
Wide Dynamic Range (WDR)	120 dB WDR
SNR	≥52dB

Defog	Digital defog
Image Stabilization	EIS
Image Enhancement	BLC, HLC, 3D DNR
Privacy Mask	24 programmable polygon privacy masks, mask color or mosaic configurable
Regional Focus	Yes
Regional Exposure	Yes
<b>Interface</b>	
Ethernet Interface	1 RJ45 10 M/100 M Ethernet
On-board Storage	support microSD/microSDHC/microSDXC cards, up to 256 GB
Audio	1-ch audio input and 1-ch audio output
Alarm	7-ch alarm input and 2-ch alarm output
RS-485	1 RS-485 (Half duplex, HIKVISION, Pelco-P, Pelco-D, self-adaptive)
Reset	Yes
<b>Event</b>	
Basic Event	Motion detection, video tampering alarm, exception, alarm input and output
Smart Event	Line crossing detection, intrusion detection, region entrance detection, region exiting detection, unattended baggage detection, object removal detection, audio exception detection
Alarm Linkage	Upload to FTP/NAS/memory card, notify surveillance center, send email, trigger alarm output, trigger recording, and PTZ actions (such as preset, patrol scan, pattern scan)
Smart Tracking	Manual tracking, Event tracking
<b>Deep Learning Function</b>	
Face Capture	Support detecting up to 10 faces at the same time. Support detecting, tracking, capturing, grading, selecting of face in motion, and output the best face picture of the face.
<b>General</b>	
Power	24 VAC, 3 A, max. 45 W, including max. 1.6 W for heater and 10 W for IR 36 VDC Hi-POE, 42.5~57 V   1.41 A
Dimension	Ø332 mm × 182 mm × 222 mm (Ø 13.07" × 7.17" × 8.74")
Weight	Approx. 7.7 kg (16.98 lb.)
Material	ADC12
Operating Condition	Temperature: Outdoor: -40°C to 70°C (-40°F to 158°F), Humidity: ≤ 90%
Wiper	Yes
<b>Approval</b>	
Protection	IP66, TVS 6000V Lightning Protection, Surge Protection and Voltage Transient Protection

## ▪ Available Model

DS-2DY5225IX-AE(T5)

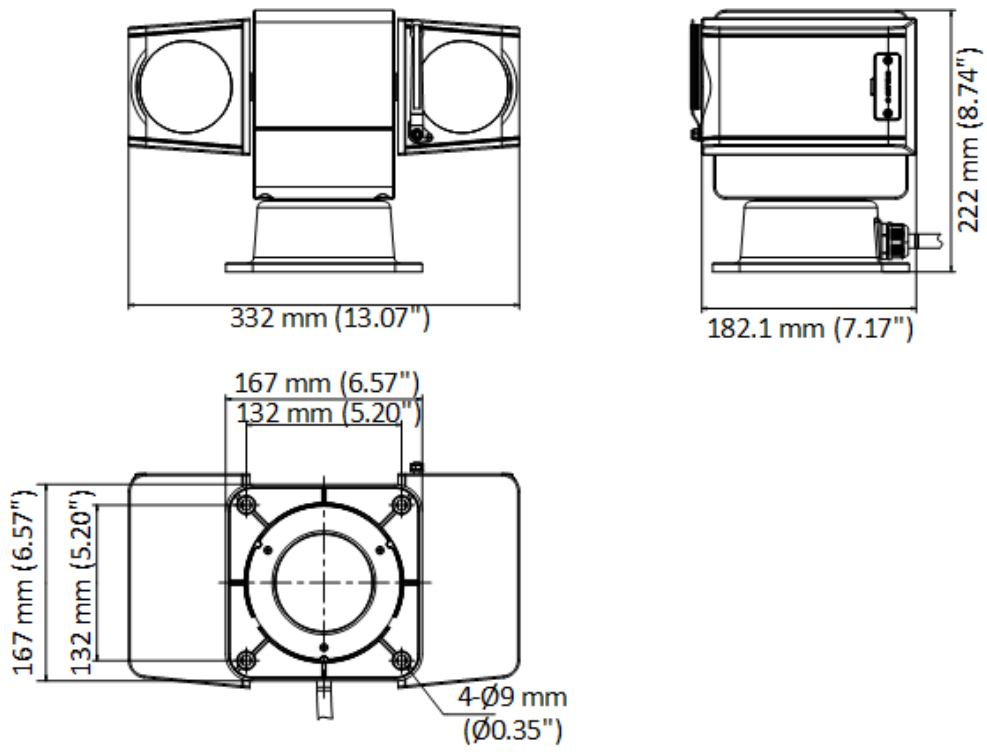
## Typical Application

Hikvision products are classified into three levels according to their anti-corrosion performance. Refer to the following description to choose for your using environment.

This model has NO SPECIFIC PROTECTION.

<b>Level</b>	<b>Description</b>
Top-level protection	Hikvision products at this level are equipped for use in areas where professional anti-corrosion protection is a must. Typical application scenarios include coastlines, docks, chemical plants, and more.
Moderate protection	Hikvision products at this level are equipped for use in areas with moderate anti-corrosion demands. Typical application scenarios include coastal areas about 2 kilometers (1.24 miles) away from coastlines, as well as areas affected by acid rain.
No specific protection	Hikvision products at this level are equipped for use in areas where no specific anti-corrosion protection is needed.

Dimension



Distributed by

**HIKVISION®****Headquarters**

No.555 Qianmo Road, Binjiang District,  
Hangzhou 310051, China  
T +86-571-8807-5998  
overseasbusiness@hikvision.com

**Hikvision USA**

T +1-909-895-0400  
sales.usa@hikvision.com

**Hikvision Australia**

T +61-2-8599-4233  
salesau@hikvision.com

**Hikvision India**

T +91-22-28469900  
sales@pramahikvision.com

**Hikvision Canada**

T +1-866-200-6690  
sales.canada@hikvision.com

**Hikvision Thailand**

T +662-275-9949  
sales.thailand@hikvision.com

**Hikvision Europe**

T +31-23-5542770  
sales.eu@hikvision.com

**Hikvision Italy**

T +39-0438-6902  
info.it@hikvision.com

**Hikvision Brazil**

T +55 11 3318-0050  
Latam.support@hikvision.com

**Hikvision Turkey**

T +90 (216)521 7070- 7074  
sales.tr@hikvision.com

**Hikvision Malaysia**

T +601-7652-2413  
sales.my@hikvision.com

**Hikvision UK & Ireland**

T +01628-902140  
sales.uk@hikvision.com

**Hikvision South Africa**

Tel: +27 (10) 0351172  
sale.africa@hikvision.com

**Hikvision France**

T +33(0)1-85-330-450  
info.fr@hikvision.com

**Hikvision Kazakhstan**

T +7-727-9730667  
nikia.panfilov@hikvision.ru

**Hikvision Vietnam**

T +84-974270888  
sales.vt@hikvision.com

**Hikvision UAE**

T +971-4-4432090  
salesme@hikvision.com

**Hikvision Singapore**

T +65-6684-4718  
sg@hikvision.com

**Hikvision Spain**

T +34-91-737-16-55  
info.es@hikvision.com

**Hikvision Tashkent**

T +99-87-1238-9438  
uzb@hikvision.ru

**Hikvision Hong Kong**

T +852-2151-1761  
info.hk@hikvision.com

**Hikvision Russia**

T +7-495-669-67-99  
saleru@hikvision.com

**Hikvision Korea**

T +82-(0)31-731-8817  
sales.korea@hikvision.com

**Hikvision Poland**

T +48-22-460-01-50  
info.pl@hikvision.com

**Hikvision Indonesia**

T +62-21-2933759  
Sales.Indonesia@hikvision.com

**Hikvision Colombia**

sales.colombia@hikvision.com