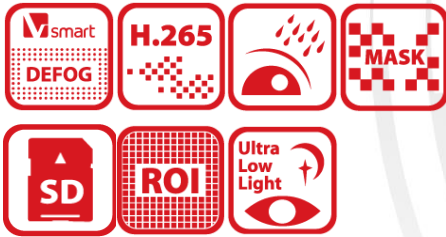


DS-2DYH2A0IXS-D(T2) 2 MP Network Stable Positioning System



Hikvision DS-2DYH2A0IXS-D(T2) 2 MP 100 × Network Stable Positioning System adopts 1/1.8" progressive scan CMOS chip. With the 100 × optical zoom lens, the camera offers more details over expansive areas.

This series of cameras can be widely used for wide ranges of high-definition, such as the rivers, forests, roads, railways, airports, ports, squares, parks, scenic spots, stations and large venues, etc.

- 2 MP, up to 1920 × 1080 resolution
- Focal length: 10 mm to 1000 mm, 100 × optical zoom, 16× digital zoom
- Excellent low-light performance with powered-by-DarkFighter technology
- Up to 3000 m laser distance
- The device adopts the wiper for car, which can effectively work in all weather conditions and easy to change
- Support power-off memory. The device restores to the last position at which it stays for a certain period (configurable) before power-off
- Support optical defog and OIS
- Water and dust resistant (IP66)



▪ Specification

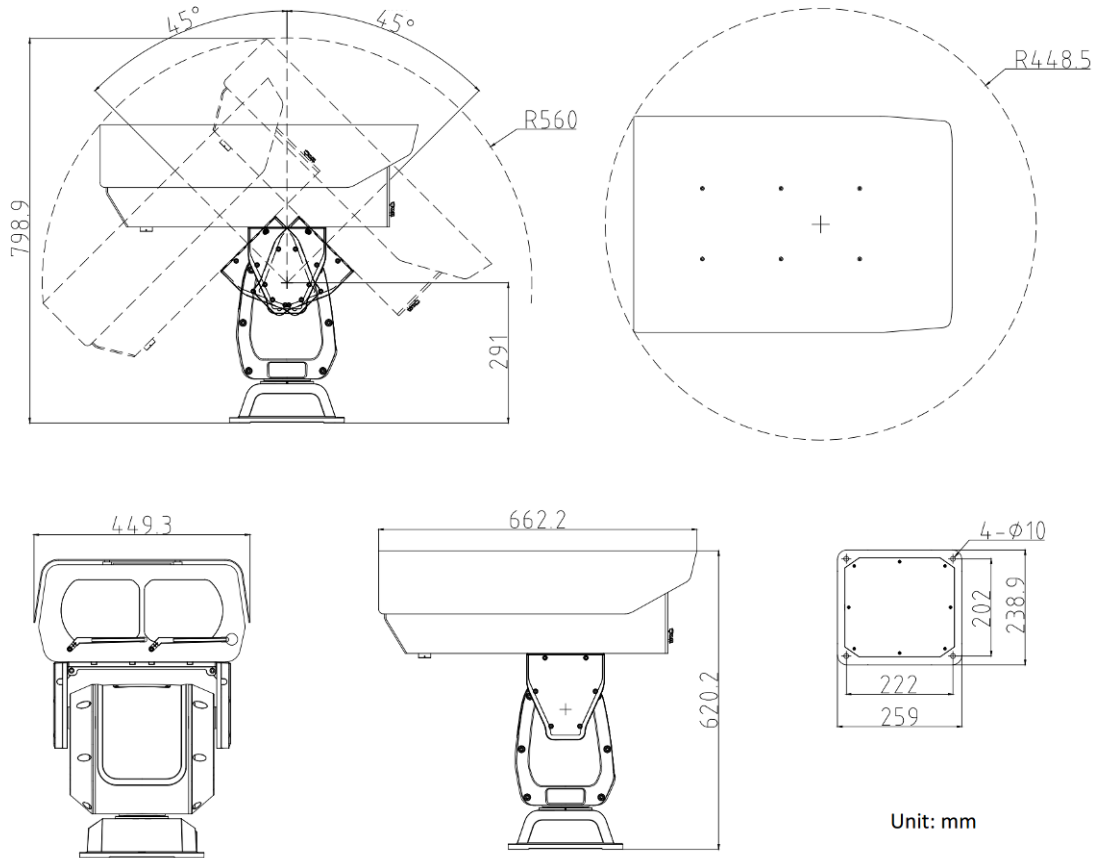
Camera Module	
Image Sensor	1/1.8" progressive scan CMOS
Min. Illumination	Color: 0.005 Lux @ (F3.0, AGC ON) B/W: 0.0005 Lux @ (F3.0, AGC ON), 0 Lux with laser
Shutter Speed	1/1 s to 1/30,000 s
Focus	semi-auto, manual, auto
Day & Night	ICR
3D DNR	yes
Defog	yes
OIS	yes
White Balance	Auto/Manual/ATW (Auto-tracking White Balance)/Indoor/Outdoor/Fluorescent Lamp/Sodium Lamp
Digital Zoom	16 ×
Optical Zoom	10 mm to 1000 mm, 100 × optical
Privacy Mask	up to 24 masks,polygon region ,mosaic mask ,mask color configurable
Optical Defog	yes
Lens	
Focal Length	10 mm to 1000 mm, 100 × optical
FOV	Horizontal field of view: 31.2° to 0.4° (wide-tele) Vertical field of view: 17.8° to 0.2° (wide-tele) Diagonal field of view: 35.5° to 0.5° (wide-tele)
Aperture	F3.0 to F11.5
PTZ	
Movement Range (Pan)	360°
Movement Range (Tilt)	-45° to 45° (auto flip)
Pan Speed	pan speed: configurable from 0.1° ~ 40°/s
Tilt Speed	tilt speed: configurable from 0.1° ~ 20°/s
Proportional Zoom	yes
Presets	300
Patrol Scan	8 patrols, up to 32 presets for each patrol
Pattern Scan	4 pattern scans, record time over 10 minutes for each scan
Power-off Memory	yes
Park Action	preset, pattern scan, patrol scan, auto scan, tilt scan, random scan, frame scan, panorama scan
3D Positioning	yes
PTZ Status Display	yes
Preset Freezing	yes
Scheduled Task	preset, pattern scan, patrol scan, auto scan, tilt scan, random scan, frame scan, panorama scan, dome reboot, dome adjust, aux output
Video	
Max. Resolution	1920 × 1080
Stream Type	main stream, sub-stream, third stream

Main Stream	50Hz: 25 fps (1920 × 1080, 1280 × 960, 1280 × 720) 60Hz: 30 fps (1920 × 1080, 1280 × 960, 1280 × 720)
Sub-Stream	50Hz: 25 fps (704 × 576, 640 × 480, 352 × 288) 60Hz: 30 fps (704 × 480, 640 × 480, 352 × 240)
Third Stream	50Hz: 25 fps (1920 × 1080, 1280 × 960, 1280 × 720, 704 × 576, 640 × 480, 352 × 288) 60Hz: 30 fps (1920 × 1080, 1280 × 960, 1280 × 720, 704 × 480, 640 × 480, 352 × 240)
Video Compression	H.265, H.264, MJPEG
H.264 Type	baseline profile, main profile, high profile
Audio	
Audio Compression	G722.1/G.711ulaw/G.711alaw/MP2L2/G.726/PCM
Smart Features	
Face Capture	yes
Basic Event	motion detection, video tampering alarm, alarm input, alarm output, exception
Smart Event	Line Crossing Detection, Region Entrance Detection, Region Exiting Detection, unattended baggage detection, object removal detection, Intrusion Detection
Smart Encoding	low bit rate, ROI, SVC
Network	
Protocols	IPv4/IPv6,HTTP,HTTPS,802.1x,Qos,FTP,SMTP,UPnP,SNMP,DNS,DDNS,NTP,RTSP,RTP,TC P/IP,UDP,IGMP,ICMP,DHCP,PPPoE,Bonjour
API	Open Network Video Interface, CGI, ISUP
Simultaneous Live View	20
User/Host	Up to 32 users. 3 levels: Administrator, Operator and User
Interface	
Communication Interface	1 RJ45 10 M/100 M Ethernet Interface
On-board Storage	Built-in microSD slot,support microSD/microSDHC/microSDXC cards, up to 256 GB
Alarm Input	7 alarm inputs
Alarm Output	2 alarm outputs
Audio Input	1 audio input, 2.0 to 2.4Vp-p, 1k Ohm±10%
Audio Output	1 audio output, line level, impedance: 600 Ω
RS-485	Half duplex, HIKVISION, Pelco-P, Pelco-D, self-adaptive
Supplement Light	
Laser Distance	up to 3000 m Laser distance
Wavelength	808 nm
General	
Power	DC48V, 6.67 A, 320 W max
Operating Conditions	Temperature: -40°C to 70°C (-40°F to 158°F), Humidity: ≤ 95%
Wiper	Yes. Rain-sensing auto control
Dimensions	662 mm × 449 mm × 620 mm (26.06" × 17.68" × 24.41")
Weight	50 kg (110.25 lb.)
Web Client Language	English
Approval	
Protection	IP66 Standard, 6000V Lightning Protection, Surge Protection and Voltage Transient Protection

▪ **Available Model**

DS-2DYH2A0IXS-D (T2)

▪ **Dimension**



Distributed by

**HIKVISION®****Headquarters**

No.555 Qianmo Road, Binjiang District,
Hangzhou 310051, China
T +86-571-8807-5998
overseasbusiness@hikvision.com

Hikvision USA

T +1-909-895-0400
sales.usa@hikvision.com

Hikvision Australia

T +61-2-8599-4233
salesau@hikvision.com

Hikvision India

T +91-22-28469900
sales@pramahikvision.com

Hikvision Canada

T +1-866-200-6690
sales.canada@hikvision.com

Hikvision Thailand

T +662-275-9949
sales.thailand@hikvision.com

Hikvision Europe

T +31-23-5542770
sales.eu@hikvision.com

Hikvision Italy

T +39-0438-6902
info.it@hikvision.com

Hikvision Brazil

T +55 11 3318-0050
Latam.support@hikvision.com

Hikvision Turkey

T +90 (216)521 7070- 7074
sales.tr@hikvision.com

Hikvision Malaysia

T +601-7652-2413
sales.my@hikvision.com

Hikvision UK & Ireland

T +01628-902140
sales.uk@hikvision.com

Hikvision South Africa

Tel: +27 (10) 0351172
sale.africa@hikvision.com

Hikvision France

T +33(0)1-85-330-450
info.fr@hikvision.com

Hikvision Kazakhstan

T +7-727-9730667
nikia.panfilov@hikvision.ru

Hikvision Vietnam

T +84-974270888
sales.vt@hikvision.com

Hikvision UAE

T +971-4-4432090
salesme@hikvision.com

Hikvision Singapore

T +65-6684-4718
sg@hikvision.com

Hikvision Spain

T +34-91-737-16-55
info.es@hikvision.com

Hikvision Tashkent

T +99-87-1238-9438
uzb@hikvision.ru

Hikvision Hong Kong

T +852-2151-1761
info.hk@hikvision.com

Hikvision Russia

T +7-495-669-67-99
saleru@hikvision.com

Hikvision Korea

T +82-(0)31-731-8817
sales.korea@hikvision.com

Hikvision Poland

T +48-22-460-01-50
info.pl@hikvision.com

Hikvision Indonesia

T +62-21-2933759
Sales.Indonesia@hikvision.com

Hikvision Colombia

sales.colombia@hikvision.com