

## DS-2DY3320IW-DE/DE4 (B) 3MP Network IR PTZ Camera



Hikvision DS-2DY3320IW-DE/DE4 3MP Network IR PTZ Cameras adopt 1/2.8" progressive scan CMOS chip. With the 20× optical zoom lens, the camera offers more details over expansive areas.

This series of cameras can be widely used for wide ranges of high-definition, such as the rivers, forests, roads, railways, airports, ports, squares, parks, scenic spots, stations and large venues, etc.

### Key Features

- 1/2.8" Progressive Scan CMOS
- Up to 2048 × 1536 resolution
- 20× Optical Zoom, 16× Digital Zoom
- Digital WDR, 3D DNR, HLC, Smart IR
- Up to 100 m IR distance
- 12 VDC & PoE (802.3at, class4)
- Support H.265 video compression



## Specification

<b>Camera Module</b>	
<b>DS-2DY3320IW-DE/DE4 3MP Network IR PTZ Camera</b>	
Image Sensor	1/2.8" progressive scan CMOS
Min. Illumination	Color: 0.05 Lux @(F1.6, AGC ON) B/W: 0.01 Lux @(F1.6, AGC ON) 0 Lux with IR
White Balance	Auto/Manual/ATW (Auto Tracking White Balance)/Indoor/Outdoor/Fluorescent Lamp/Sodium Lamp
AGC	Auto/Manual
Shutter Time	1/1 s to 1/30,000 s
Day & Night	IR Cut Filter
Digital Zoom	16×
Privacy Mask	8 programmable privacy masks
Focus Mode	Auto/Semi-automatic/Manual
3D DNR	Yes
BLC	Yes
Digital WDR	Yes
Regional Exposure	Yes
Regional Focus	Yes
<b>Lens</b>	
Focal Length	4.7 mm to 94 mm, 20× Optical
Zoom Speed	Approx. 2.7 s (Optical Lens, Wide-Tele)
Field of View	58.3° to 3.2° (Wide-Tele)
Working Distance	10 mm to 1500mm (Wide-Tele)
Aperture Range	F1.6 to F3.5
<b>IR</b>	
IR Distance	Up to 100 m
IR Intensity	Automatically adjusted, depending on the zoom ratio
<b>PTZ</b>	
Movement Range (Pan)	360° endless
Pan Speed	Configurable, from 0.5°/s to 50°/s. Preset speed 50°/s
Movement Range (Tilt)	From -40° to 30°
Tilt Speed	Configurable, from 0.5°/s to 25°/s. Preset speed 25°/s
Proportional Zoom	Yes
Presets	300
Patrol Scan	8 patrols, up to 32 presets for each patrol
Pattern Scan	4 pattern scans, record time over 10 minutes for each scan
Power-off Memory:	Yes
Park Action	Preset/Pattern Scan/Patrol Scan/Auto Scan/Tilt Scan/Random Scan/Frame Scan/Panorama Scan
PTZ Position Display	ON/OFF
Preset Freezing	Yes
Scheduled Task	Preset/Pattern Scan/Patrol Scan/Auto Scan/Tilt Scan/Random Scan/Frame Scan/Panorama Scan/Dome Reboot/Dome Adjust
<b>Features</b>	
Smart Detection	Intrusion Detection, Line Crossing Detection, Region Exiting Detection, Region Entrance Detection
ROI encoding	Main stream, sub-stream and third stream respectively support two fixed areas.

Network	
Max. Resolution	2048 × 1536
Main Stream	50Hz: 25fps (2048 × 1536, 1920 × 1080, 1280 × 960, 1280 × 720) 50fps (1920 × 1080, 1280 × 960, 1280 × 720) 60Hz: 30fps (2048 × 1536, 1920 × 1080, 1280 × 960, 1280 × 720) 60fps (1920 × 1080, 1280 × 960, 1280 × 720)
Sub-Stream	50Hz: 25fps (704 × 576, 640 × 480, 352 × 288) 60Hz: 30fps (704 × 480, 640 × 480, 352 × 240)
Third Stream	50Hz: 25fps (1920 × 1080, 1280 × 960, 1280 × 720, 704 × 576, 640 × 480, 352 × 288) 60Hz: 30fps (1920 × 1080, 1280 × 960, 1280 × 720, 704 × 480, 640 × 480, 352 × 240)
Video Compression	Main Stream: H.265+/H.265/H.264+/H.264 Sub-Stream: H.265/H.264/MJPEG Third Stream: H.265/H.264/MJPEG H.264 with Baseline/Main/High Profile
Audio compression	G.711alaw/G.711ulaw/G.722.1/G.726/MP2L2/PCM
Protocols	IPv4/IPv6, HTTP, HTTPS, 802.1x, Qos, FTP, SMTP, UPnP, SNMP, DNS, DDNS, NTP, RTSP, RTCP, RTP, TCP/IP, DHCP, PPPoE, Bonjour
Simultaneous Live View	Up to 20 channels
User/Host	Up to 32 users 3 levels: Administrator, Operator and User
Security Measures	User authentication (ID and PW), Host authentication (MAC address); HTTPS encryption; IEEE 802.1x port-based network access control; IP address filtering
System Integration	
Alarm Input	1-ch alarm input
Alarm Output	1-ch alarm output
Alarm Linkage	Alarm actions, such as Preset, Patrol Scan, Pattern Scan, Memory Card Video Record, Trigger Recording, Notify Surveillance Center, Upload to FTP/Memory Card/NAS, Send Email, etc.
Audio Input	1-ch audio input
Audio Output	1-ch audio output
Network Interface	1 RJ45 10 M/100 M Ethernet Interface; PoE (802.3at, class4)
Storage	Built-in memory card slot, support Micro SD/SDHC/SDXC, up to 128 GB; NAS (NFS, SMB/ CIFS), ANR
API	ONVIF (Profile S, Profile G, Profile T), ISAPI, SDK
Client	iVMS-4200, iVMS-4500, iVMS-5200
Web Browser	IE 8 to 11, Chrome 31.0+, Firefox 30.0+, Edge 16.16299+
General	
Language (Web Browser Access )	32 languages. English, Russian, Estonian, Bulgarian, Hungarian, Greek, German, Italian, Czech, Slovak, French, Polish, Dutch, Portuguese, Spanish, Romanian, Danish, Swedish, Norwegian, Finnish, Croatian, Slovenian, Serbian, Turkish, Korean, Traditional Chinese, Thai, Vietnamese, Japanese, Latvian, Lithuanian, Portuguese (Brazil)
Power	12 VDC, 1.6 A and PoE (802.3at), 42.5 to 57 VDC, 0.6 A, Class4 Max. 19 W, including max. 9.2W for IR
Working Environment	Working Temperature: Outdoor: -30°C to 65°C (-22°F to 149°F) Working Humidity: ≤ 95%
Protection Level	IP66 Standard; 6000V Lightning Protection, Surge Protection and Voltage Transient Protection
Dimensions(mm)	-DE: 367 mm × 122 mm × 242 mm (14.45" × 4.80" × 9.53") -DE4: 255 mm × 129 mm × 195 mm (10.03" × 5.08" × 7.68")
Weight	Approx. 3 kg (6.61 lb)

## DORI

The DORI (detect, observe, recognize, identify) distance gives the general idea of the camera ability to distinguish persons or objects within its field of view.

It is calculated based on the camera sensor specification and the criteria given by EN 62676-4: 2015.

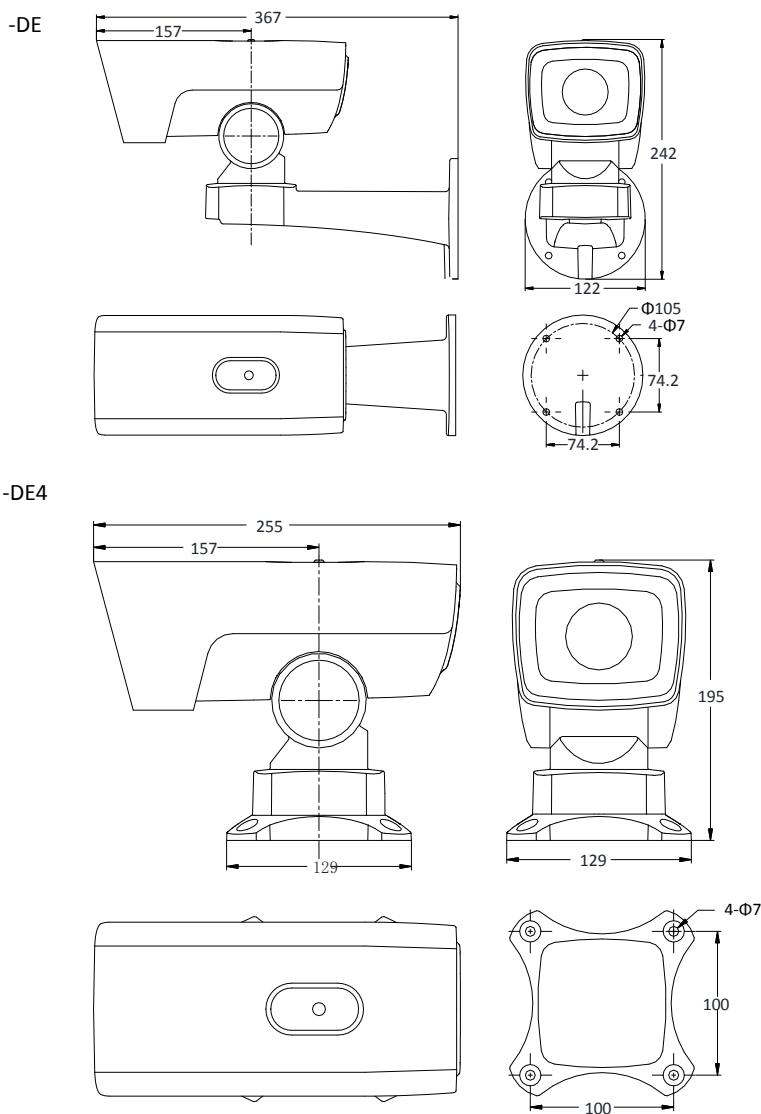
DORI	Detect	Observe	Recognize	Identify
Definition	25 px/m	63 px/m	125 px/m	250 px/m
Distance (Tele)	1568.0 m (5144.4 ft)	622.2 m (2041.4 ft)	313.6 m (1028.9 ft)	156.8 m (514.4 ft)

## Order Model

DS-2DY3320IW-DE (B)

DS-2DY3320IW-DE4 (B)

## Dimensions



Unit: mm

## Accessory

### Included:



ASW0081-1220002W

Power adapter

### Optional:



DS-1280ZJ-M (SPTZ)  
Junction Box



DS-1281ZJ-M (SPTZ)  
Inclined Base Mounting  
Bracket



DS-1275ZJ (SPTZ)  
Vertical Pole Mounting Bracket



LAS60-57CN-RJ45  
Hi-PoE midspan

Distributed by



## HIKVISION®

### Headquarters

No.555 Qianmo Road, Binjiang District,  
Hangzhou 310051, China  
T +86-571-8807-5998  
overseasbusiness@hikvision.com

**Hikvision USA**  
T +1-909-895-0400  
sales.usa@hikvision.com

**Hikvision Australia**  
T +61-2-8599-4233  
salesau@hikvision.com

**Hikvision India**  
T +91-22-28469900  
sales@pramahikvision.com

**Hikvision Canada**  
T +1-866-200-6690  
sales.canada@hikvision.com

**Hikvision Thailand**  
T +662-275-9949  
sales.thailand@hikvision.com

**Hikvision Europe**  
T +31-23-5542770  
sales.eu@hikvision.com

**Hikvision Italy**  
T +39-0438-6902  
info.it@hikvision.com

**Hikvision Brazil**  
T +55 11 3318-0050  
Latam.support@hikvision.com

**Hikvision Turkey**  
T +90 (216)521 7070- 7074  
sales.tr@hikvision.com

**Hikvision Malaysia**  
T +601-7652-2413  
sales.my@hikvision.com

**Hikvision UK & Ireland**  
T +01628-902140  
sales.uk@hikvision.com

**Hikvision South Africa**  
Tel: +27 (10) 0351172  
sale.africa@hikvision.com

**Hikvision France**  
T +33(0)1-85-330-450  
info.fr@hikvision.com

**Hikvision Kazakhstan**  
T +7-727-9730667  
nikia.panfilov@hikvision.ru

**Hikvision Vietnam**  
T +84-974270888  
sales.vt@hikvision.com

**Hikvision UAE**  
T +971-4-4432090  
salesme@hikvision.com

**Hikvision Singapore**  
T +65-6684-4718  
sg@hikvision.com

**Hikvision Spain**  
T +34-91-737-16-55  
info.es@hikvision.com

**Hikvision Tashkent**  
T +99-87-1238-9438  
uzb@hikvision.ru

**Hikvision Hong Kong**  
T +852-2151-1761  
info.hk@hikvision.com

**Hikvision Russia**  
T +7-495-669-67-99  
saleru@hikvision.com

**Hikvision Korea**  
T +82-(0)31-731-8817  
sales.korea@hikvision.com

**Hikvision Poland**  
T +48-22-460-01-50  
info.pl@hikvision.com

**Hikvision Indonesia**  
T +62-21-2933759  
Sales.Indonesia@hikvision.com

**Hikvision Colombia**  
sales.colombia@hikvision.com