

DS-2ZMN3008(C) 30× 3MP 1/2.8" ICR Day/Night Zoom Camera Module



Hikvision DS-2ZMN3008(C) 3MP ICR Day/Night Network Zoom Camera Module adopts 1/2.8" progressive scan CMOS chip. With the 30× optical zoom lens, the camera module offers more details over expansive areas.

This series of camera modules can be used for different types of speed domes and PTZ cameras.

- 3MP 1/2.8" progressive scan CMOS
- Up to 2048×1536 resolution
- 30× optical zoom; focal length 4.5mm to 135mm
- Min. illumination: Color: 0.05Lux @(F1.6, AGC ON), B/W: 0.01Lux @(F1.6, AGC ON)
- Zoom speed: 3s
- IR cut filter with auto switch
- 3D DNR, low bitrate, digital WDR
- Small size and low power consumption
- Easy to connect to speed domes and PTZ cameras



Specifications

Camera Module	
Model	DS-2ZMN3008(C), 30× 3MP 1/2.8" COMS ICR Day/Night Network Zoom Camera Module
Image Sensor	1/2.8" Progressive Scan CMOS
Signal System	PAL/NSTC
Video Output	Network Encoding Output
Resolution	50HZ: 25fps (2048×1536), 60HZ: 30fps (2048×1536) 50HZ: 25fps (1920×1080), 60HZ: 30fps (1920×1080) 50HZ: 25fps (1280×960), 60HZ: 30fps (1280×960) 50HZ: 25fps (1280×720), 60HZ: 30fps (1280×720)
Min. Illumination	Color: 0.05Lux @ (F1.6, AGC ON) B/W: 0.01Lux @ (F1.6, AGC ON)
S/N ratio	> 52dB (AGC OFF)
Lens	
Focal Length	4.5mm to 135mm, 30× optical
Aperture Range	F1.6 to F4.4
Angle of View	57.2° to 3.5° (Wide-Tele)
Min. Working Distance	10mm to 1500mm (Wide-Tele)
Zoom Speed	Approx. 3s (Optical, Wide-Tele)
Day & Night	ICR filter
Function	
Focus Mode	Auto/Manual/One Touch
Exposure Mode	Auto/Aperture Priority/Shutter Priority/Manual
Day & Night Mode	Auto/Color/BW/Scheduled-Switch/Triggered by Alarm Input
Shutter Time	1/1 sec to 1/30,000 sec
White Balance	Auto 1/Auto 2/Indoor/Outdoor/Manual/Sodium Lamp/Fluorescent Lamp
BLC	OFF, Left/Right, Up/Down or Center
Gain	16 levels adjustable
Dead Pixel Compensation	Support
WDR	ON/OFF
DNR	3D DNR
Lens Initialization	Internal
Image Setting	Saturation, Brightness, Contrast, Sharpness adjustable
Digital Zoom	12×
Network	
Network storage	Supports microSD memory card
Image Setting	Image parameters can be configured via client software or web browser
Alarm	Motion Detection, Tampering Alarm, Storage Full, Storage Exception, Audio Exception Detection, Line Crossing Detection, Intrusion Detection
Protocol	TCP/IP, HTTP, DHCP, DNS, DDNS, RTP, RTSP, PPPoE, SMTP, NTP, UPnP, SNMP, FTP, 802.1x, QoS, HTTPS, IPv6 (SIP, SRTP optional)
Standard	ONVIF, PSIA, CGI, ISAPI
Outward Interface	36pin FFC (Including Network Interface, RS485, RS232, CVBS, SDHC, Alarm In/Out, Line In/Out, Power Supply)
Security	Password Protection, Multiple User Access Control
Communication	RS232 Interface, HIKVISION Protocol, RS485 Interface, Pelco Protocol
Other	Double Streams, Heartbeat

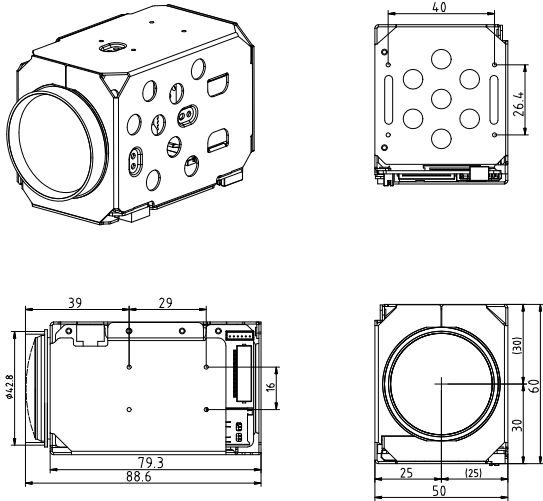
General

Power Supply	DC12V \pm 10%
Working Environment	Temperature: -10 °C to 60 °C (14°F to 140°F) Humidity: \leq 90%
Power Consumption	Static: 2.5W Dynamic: 4.5W
Dimension	50mm×60mm×97.4mm (1.97"×2.36"×3.83")
Weight	300g (0.66lb)

Order Model

DS-2ZMN3008(C)

Dimensions



Unit:mm

Distributed by

Headquarters

No.555 Qianmo Road, Binjiang District,
Hangzhou 310051, China
T +86-571-8807-5998
overseasbusiness@hikvision.com

Hikvision USA
T +1-909-895-0400
sales.usa@hikvision.com

Hikvision Italy
T +39-0438-6902
info.it@hikvision.com

Hikvision Singapore
T +65-6684-4718
sg@hikvision.com

Hikvision Europe
T +31-23-5542770
saleseuro@hikvision.com

Hikvision France
T +33(0)1-85-330-444
info.fr@hikvision.com

Hikvision Oceania
T +61-2-8599-4233
salesau@hikvision.com

Hikvision Middle East
T +971-4-8816086
salesme@hikvision.com

Hikvision Spain
T +34-91-737-16-55
info.es@hikvision.com

Hikvision Hong Kong
T +852-2151-1761

Hikvision Russia
T +7-495-669-67-99
saleru@hikvision.com

Hikvision Poland
T +48-22-460-01-50
poland@hikvision.com

Hikvision Canada
T +1-909-895-0400
sales.usa@hikvision.com

Hikvision India
T +91-22-28469900
sales@pramahikvision.com

Hikvision UK
T +44-1628-9021-4
support.uk@hikvision.com