

DS-2CV1023G2-LIDW(F)(B) 2 MP Outdoor Wi-Fi Fixed Bullet Network Camera



- Support Wi-Fi 6
- Good night-time performance with up to 30 m IR and 30 m white light
- Built-in microphone and speaker, support two-way audio
- Support Human and Vehicle Detection
- Water and dust resistant (IP66)

▪ Specification

| Camera | |
|--------------------------|--|
| Image Sensor | 1/3" Progressive Scan CMOS |
| Max. Resolution | 1920 × 1080 |
| Min. Illumination | Color: 0.01 Lux @ (F2.0, AGC ON), B/W: 0 Lux with IR |
| Shutter Time | 1/3 s to 1/100,000 s |
| Day & Night | IR cut filter |
| Angle Adjustment | Pan: 0° to 360°, tilt: 0° to 90°, rotate: 0° to 360° |
| Lens | |
| Lens Type | Fixed focal lens, 2.8, 4, and 6 mm optional |
| Focal Length & FOV | 2.8 mm, horizontal FOV 101°, vertical FOV 56°, diagonal FOV 118° 4 mm, horizontal FOV 78°, vertical FOV 42°, diagonal FOV 92° 6 mm, horizontal FOV 49°, vertical FOV 28°, diagonal FOV 56° |
| Aperture | F2.0 |
| Iris Type | Fixed |
| Lens Mount | M12 |
| Depth of Field | 2.8 mm: 0.8 m~∞ 4 mm: 1.1 m~∞ 6 mm: 2.3 m~∞ |
| DORI | |
| DORI | 2.8 mm, D: 43 m, O: 17 m, R: 8 m, I: 4 m 4 mm, D: 59 m, O: 23 m, R: 11 m, I: 5 m 6 mm, D: 86 m, O: 34 m, R: 17 m, I: 8 m |
| Illuminator | |
| Supplement Light Type | IR, White Light |
| IR Wavelength | 850 nm |
| Supplement Light Range | Up to 30 m |
| Smart Supplement Light | Yes |
| Video | |
| Main Stream | 50 Hz: 25 fps (1920 × 1080, 1280 × 720, 768 × 432) 60 Hz: 30 fps (1920 × 1080, 1280 × 720, 768 × 432) |
| Sub-Stream | 50 Hz: 25 fps (768 × 432) 60 Hz: 30 fps (768 × 432) |
| Video Compression | Main stream: H.265/H.264, Sub-stream: H.265/H.264/MJPEG |
| Video Bit Rate | 32 Kbps to 8 Mbps |
| H.264 Type | Baseline Profile, Main Profile, High Profile |
| H.265 Type | Main Profile |
| Bit Rate Control | CBR, VBR |
| Region of Interest (ROI) | 1 fixed region for main stream |
| Audio | |
| Audio Type | Mono sound |
| Audio Compression | G.711(ulaw)/ (AAC-LC) |
| Audio Bit Rate | 64 Kbps (G.711ulaw)/16 to 64 Kbps (AAC-LC) |
| Audio Sampling Rate | 8 kHz/16 kHz |

| | |
|-----------------------------|--|
| Environment Noise Filtering | Yes |
| Network | |
| Security | Password protection, complicated password, watermark, basic and digest authentication for HTTP, WSSE and digest authentication for Open Network Video Interface, security audit log, host authentication (MAC address) |
| Simultaneous Live View | Up to 6 channels |
| API | ONVIF (Profile S, Profile G, Profile T), ISAPI, SDK |
| Protocols | TCP/IP, ICMP, DHCP, DNS, HTTP, RTP, RTCP, RTSP, NTP, IGMP, IPv4, IPv6, UDP, QoS, UPnP |
| User/Host | Up to 32 users 3 user levels: administrator, operator, and user |
| Client | iVMS-4200, Hik-Connect |
| Web Browser | Local service: IE 11, Chrome 57.0+, Firefox 52.0+, Edge 89+ |
| Wi-Fi | |
| Wi-Fi Protocol | IEEE802.11b, IEEE802.11g, IEEE802.11n |
| Frequency Range | 2.4 GHz to 2.4835 GHz |
| Channel Bandwidth | 20/40 MHz |
| Modulation | 802.11n: QPSK, BPSK, 16QAM, 64QAM, 802.11b: CCK, QPSK, BPSK, 802.11g: QPSK, BPSK, 16QAM, 64QAM |
| Transfer Rate | 11n: up to 300 Mbps |
| Image | |
| Wide Dynamic Range (WDR) | Digital WDR |
| SNR | ≥ 52 dB |
| Day/Night Switch | Day, Night, Auto, Schedule |
| Image Enhancement | BLC, HLC, 3D DNR |
| Image Settings | Saturation, brightness, contrast, sharpness, gain, white balance, adjustable by client software or web browser |
| Privacy Mask | 4 programmable polygon privacy masks |
| Interface | |
| Built-in Microphone | Yes |
| Reset Key | Yes |
| Ethernet Interface | 1 RJ45 10 M/100 M self-adaptive Ethernet port |
| Event | |
| Basic Event | Motion detection (support alarm triggering by specified target types (human and vehicle)), exception |
| Linkage | Notify surveillance center, send email, trigger recording, trigger capture, audible warning |
| General | |
| Power | 12 VDC ± 25%, 0.55 A, max. 6.5 W, Ø5.5 mm coaxial power plug, reverse polarity protection, *A switching adapter is included in the package. |
| Material | Plastic |
| Dimension | 260.9 mm × 113.9 mm × 67.4 mm (10.3" × 4.5" × 2.7") |
| Package Dimension | 300 mm × 130 mm × 100 mm (10.2" × 5.1" × 4.9") |
| Weight | Approx. 310 g (0.68 lb.) |
| With Package Weight | Approx. 550 g (1.12 lb.) |
| Storage Conditions | -30 °C to 60 °C (-22 °F to 140 °F). Humidity 95% or less (non-condensing) |

| | |
|----------------------------------|---|
| Startup and Operating Conditions | -30 °C to 60 °C (-22 °F to 140 °F). Humidity 95% or less (non-condensing) |
| Language | English, Ukrainian |
| General Function | Heartbeat, anti-banding, mirror, password protection |
| Approval | |
| EMC | CE-EMC: EN 55032: 2015, EN 61000-3-2:2019, EN 61000-3-3: 2013+A1:2019, EN 50130-4: 2011 +A1: 2014 |
| RF | CE-RED: EN 301489-1 V2.1.1(BT or 2.4G); EN 301489-17 V3.1.1 (BT or 2.4G); EN 300328 V2.1.1 (BT or 2.4G); EN 62311:2008 (BT or 2.4G) |
| Safety | CB: IEC 62368-1: 2014+A11, CE-LVD: EN 62368-1: 2014/A11: 2017 |
| Environment | CE-RoHS: 2011/65/EU, WEEE: 2012/19/EU, Reach: Regulation (EC) No 1907/2006 |
| Protection | IP66: IEC 60529-2013 |

▪ Typical Application

Hikvision products are classified into three levels according to their anti-corrosion performance. Refer to the following description to choose for your using environment.

This model has NO SPECIFIC PROTECTION.

| Level | Description |
|------------------------|--|
| Top-level protection | Hikvision products at this level are equipped for use in areas where professional anti-corrosion protection is a must. Typical application scenarios include coastlines, docks, chemical plants, and more. |
| Moderate protection | Hikvision products at this level are equipped for use in areas with moderate anti-corrosion demands. Typical application scenarios include coastal areas about 2 kilometers (1.24 miles) away from coastlines, as well as areas affected by acid rain. |
| No specific protection | Hikvision products at this level are equipped for use in areas where no specific anti-corrosion protection is needed. |

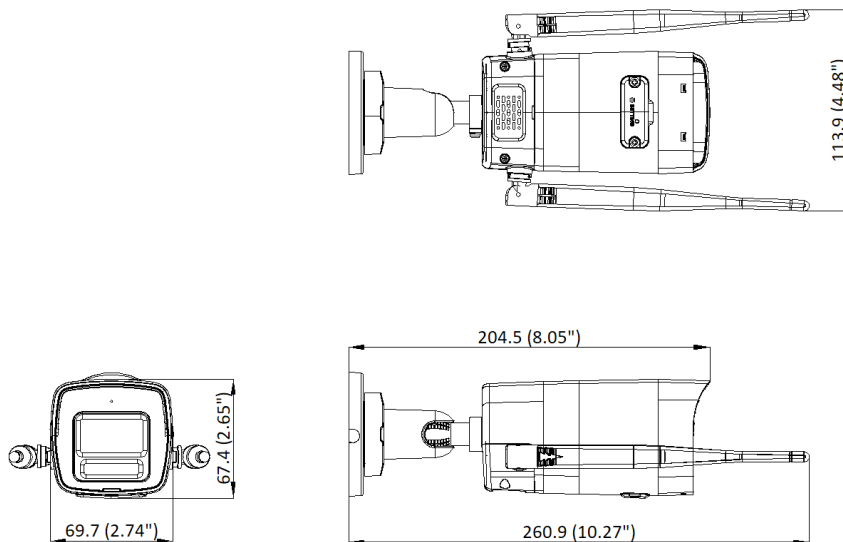
▪ Available Model

DS-2CV1023G2-LIDWF(2.8mm)(B)

DS-2CV1023G2-LIDWF(4mm)(B)

DS-2CV1023G2-LIDWF(6mm)(B)

▪ **Dimension**



Unit: mm (inch)

▪ **Accessory**

▪ **Optional**

| DS-1275ZJ-SUS Vertical pole mount | DS-1276ZJ-SUS Corner mount | DS-1280ZJ-XS Junction box |
|--------------------------------------|-------------------------------|------------------------------|
| | | |
| | | |

Headquarters

No.555 Qianmo Road, Binjiang District,
Hangzhou 310051, China
T +86-571-8807-5998
www.hikvision.com



Follow us on social media to get the latest product and solution information.

