

DS-2CD2646G1-IZ(S)

AcuSense 4 MP IR Varifocal Bullet Network Camera



Key Features

- Max. 2688 × 1520 @ 30fps
- H.265+, H.264+, H.265, H.264
- 120dB WDR
- Powered by DarkFighter
- Color: 0.007 Lux @ (F1.2, AGC ON), 0.01 Lux @ (F1.4, AGC ON), 0 Lux with IR
- False alarm reduction by human and vehicle target classification based on deep learning
- 12 VDC & PoE (802.3at, class 4)
- IR range: Up to 50 m
- Support on-board storage, up to 128 GB
- IP67, IK10
- BLC/3D DNR/ROI



Specification

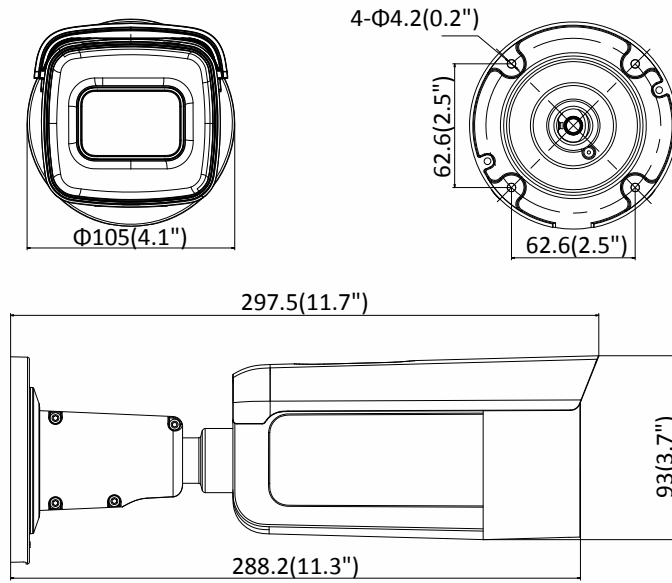
Camera	
Image Sensor	1/2.7" Progressive Scan CMOS
Min. Illumination	Color: 0.007 Lux @ (F1.2, AGC ON), 0.01 Lux @ (F1.4, AGC ON), 0 Lux with IR
Shutter Speed	1/3 s to 1/100,000 s
Slow Shutter	Yes
Day & Night	IR cut filter
Digital Noise Reduction	3D DNR
Wide Dynamic Range	120dB
3-Axis Adjustment (with bracket)	Pan: 0° to 355°, tilt: 0° to 90°, rotate: 0° to 360°
Lens	
Focal length	2.8 mm to 12 mm
Aperture	F1.4
Focus	Auto
FOV	Horizontal FOV: 101° to 29°, vertical FOV: 54° to 16°, diagonal FOV: 121° to 34°
Lens Mount	Ø14
IR	
IR Range	Up to 50 m
Wavelength	850 nm
Compression Standard	
Video Compression	Main stream: H.265/H.264 Sub stream: H.265/H.264/MJPEG
H.264 Type	Main Profile/High Profile
H.264+	Main stream supports
H.265 Type	Main Profile
H.265+	Main stream supports
Video Bit Rate	32 Kbps to 16 Mbps
Smart Feature-set	
Behavior Analysis	Line crossing detection, intrusion detection, region entrance detection, region exit detection, false alarm reduction by human and vehicle target classification based on deep learning When H265+, three streams or motion detection is enabled, the behavior analyses (including line crossing detection, intrusion detection, region entrance detection and region exiting detection) are not supported.
ROI (Region of Interest)	Support 1 fixed region for main stream and sub stream separately
Image	
Max. Resolution	2688 × 1520
Main Stream	50Hz: 25fps (2688 × 1520, 1920 × 1080, 1280 × 720) 60Hz: 30fps (2688 × 1520, 1920 × 1080, 1280 × 720)
Sub-Stream	50Hz: 25fps (640 × 480, 640 × 360, 320 × 240) 60Hz: 30fps (640 × 480, 640 × 360, 320 × 240)
Image Enhancement	BLC/3D DNR
Image Settings	Saturation, brightness, contrast, sharpness, AGC, white balance adjustable by client software or web browser
Day/Night Switch	Day/Night/Auto/Schedule/Triggered by Alarm In(-S)
Audio (-S)	
Environment Noise Filtering	Yes

Sampling Rate	8kHz/16kHz
Audio Compression	G.711/G.722.1/G.726/MP2L2/PCM
Audio Bit Rate	64Kbps(G.711)/16Kbps(G.722.1)/16Kbps(G.726)/32-160Kbps(MP2L2)
Network	
Network Storage	Support micro SD/SDHC/SDXC card (128G) local storage, NAS (NFS,SMB/CIFS), ANR
Alarm Trigger	Tampering alarm, network disconnected, IP address conflict, illegal login, HDD full, HDD error
Protocols	TCP/IP, ICMP, HTTP, HTTPS, FTP, DHCP, DNS, DDNS, RTP, RTSP, RTCP, PPPoE, NTP, UPnP, SMTP, SNMP, IGMP, 802.1X, QoS, IPv6, UDP, Bonjour
General Function	One-key reset, anti-flicker, heartbeat, mirror, password protection, privacy mask, watermark, IP address filtering
Firmware Version	V5.5.72
API	ONVIF (PROFILE S, PROFILE G, PROFILE T), ISAPI
Simultaneous Live View	Up to 6 channels
User/Host	Up to 32 users 3 levels: Administrator, Operator and User
Client	iVMS-4200, Hik-Connect, iVMS-5200, iVMS-4500
Web Browser	Plug-in required live view: IE8+, Chrome 31.0-44, Firefox 30.0-51, Safari 8.0+ Plug-in free live view: Chrome 45.0+, Firefox 52.0+
Interface	
Communication Interface	1 RJ45 10M/100M self-adaptive Ethernet port
On-board Storage	Built-in micro SD/SDHC/SDXC slot, up to 128 GB
SVC	H.265 encoding and H.264 encoding support
Reset Button	Yes
Audio (-S)	1 audio input (line in), 1 audio output (line out), mono sound
Alarm (-S)	1 alarm input, 1 alarm output
General	
Operating Conditions	-30 °C to +60 °C (-22 °F to +140 °F), humidity 95% or less (non-condensing)
Power Supply	12 VDC ± 25%, 5.5 mm coaxial power plug PoE (802.3at, class 4)
Power Consumption and Current	12 VDC, 1.3 A, max. 15.5 W PoE: (802.3at, 42.5 VDC to 57 VDC), 0.5 A to 0.3 A, max. 19 W
Protection Level	IP67, IK10
Material	Front cover & back cover: metal
Dimensions	Camera: Φ 105 × 297.5 mm (Φ 4.1" × 11.7")
Weight	Camera: 1400 g (3.1 lb.) With package: 1750 g (3.9 lb.)

Available Model

DS-2CD2646G1-IZ (2.8 mm to 12 mm), DS-2CD2646G1-IZS (2.8 mm to 12 mm)

Dimension



Unit: mm(inch)

Accessory



Distributed by

DS-1275ZJ-SUS
Vertical Pole Mount

DS-1276ZJ-SUS
Corner Mount

DS-1260ZJ
Junction Box

DS-1280ZJ-S
Junction Box

DS-1275ZJ-S-SUS
Vertical Pole Mount

HIKVISION

Headquarters

No.555 Qianmo Road, Binjiang District,
Hangzhou 310051, China
T +86-571-8807-5998
overseasbusiness@hikvision.com

Hikvision USA
T +1-909-895-0400
sales.usa@hikvision.com

Hikvision Europe
T +31-23-55-42-770
info.eu@hikvision.com

Hikvision Middle East
T +971-4-8816086
salesme@hikvision.com

Hikvision Russia
T +7-495-669-67-99
saleru@hikvision.com

Hikvision India
T +91-22-28469900
sales@pramahikvision.com

Hikvision Italy
T +39-0438-6902
info.it@hikvision.com

Hikvision France
T +33(0)1-85-330-450
info.fr@hikvision.com

Hikvision Spain
T +34-91-737-16-55
info.es@hikvision.com

Hikvision Poland
T +48-22-460-01-50
poland@hikvision.com

Hikvision UK
T +01628-902140
support.uk@hikvision.com

Hikvision Singapore
T +65-6684-4718
sg@hikvision.com

Hikvision Oceania
T +61-2-8599-4233
salesau@hikvision.com

Hikvision Canada
T +1-909-895-0400
sales.usa@hikvision.com

Hikvision Korea
T +82-31-731-8841
sales.korea@hikvision.com

Hikvision Brazil
T +55 11 3318-0050
Latam.support@hikvision.com

Hikvision Africa
T +27 (10) 0351172
sale.africa@hikvision.com

Hikvision Hong Kong
T +852-2151-1761

05057220200320