

## iDS-2XM6810F-I(M)/C Mobile Dual-Lens People Counting Camera



### smart IPC

iDS-2XM6810F-I(M)/C is a specialized people counting camera, supporting separate counting of people entering, exiting, and passing by.

The camera combines various crucial and advanced technologies, including binocular stereo vision, 3D people detection and tracking, and height filtering, to guarantee high accuracy.

- 1/3" Progressive Scan CMOS
- Dual lens, dual CPU, support stereo views
- 2 mm lens
- Max. resolution 640 × 960
- H.264
- Flash memory storing people counting data
- 3D digital noise reduction
- 12 VDC (wide voltage range: 8 V to 36 V) and PoE
- Up to 3 m IR range



## Specifications

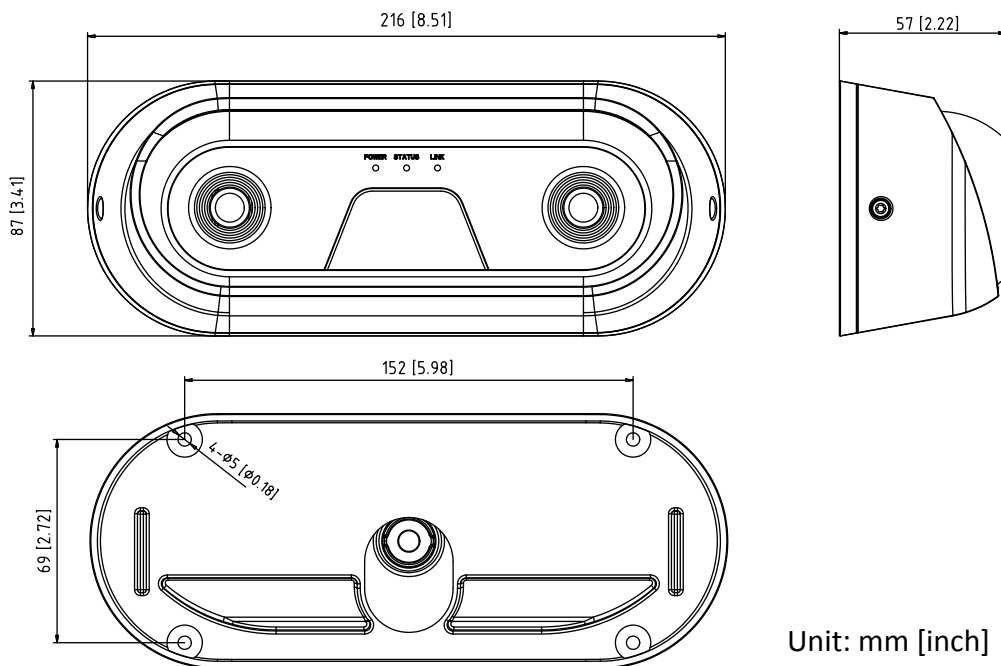
<b>Camera</b>	
Image Sensor	1/3" Progressive Scan CMOS
Shutter Speed	1/25 s to 1/10,000 s
Auto-iris	Manual
Digital Noise Reduction	3D DNR
Angle Adjustment	Tilt: 0° to 45°
<b>Lens</b>	
Focal length	2 mm
Aperture	F2.2
FOV	Horizontal FOV 105°, vertical FOV 89°
Lens Mount	M12
<b>IR</b>	
IR Range	Up to 3 m
<b>Compression Standard</b>	
Video Compression	Main stream: H.264 Sub-stream: H.264
H.264 Type	Baseline Profile/Main Profile/High Profile
Video Bit Rate	32 Kbps to 8 Mbps
<b>People Counting</b>	
Statistics	Support separate counting of people entering, exiting, and passing by
Data Uploading	Support real-time uploading and uploading by statistic cycle
Email Report	Daily, weekly, monthly, and annual report supported
Height Filter	Support
Door Status Indication	Support
<b>Image</b>	
Max. Resolution	640 × 960
Main Stream Max. Frame Rate	50Hz: 25fps (640 × 480) 60Hz: 24fps (640 × 480)
Sub-stream Max. Frame Rate	50Hz: 25fps (640 × 960) 60Hz: 24fps (640 × 960)
Image Enhancement	3D DNR
Image Setting	Brightness and sharpness are adjustable by client software or web browser
Day/Night Switch	Auto, scheduled, day, and night
<b>Network</b>	
Alarm Trigger	Video tampering, network disconnected, IP address conflict, illegal login
Protocols	TCP/IP, ICMP, HTTP, HTTPS, FTP, DHCP, DNS, DDNS, RTP, RTSP, RTCP, NTP, UPnP, SMTP, SNMP, IGMP, 802.1X, QoS, IPv6, UDP, Bonjour
General Function	Anti-flicker, heartbeat, password protection, watermark, door status detection, email data report
API	ISAPI, RS-485, HTTP
Simultaneous Live View	Up to 6 channels
User/Host	Up to 32 users 3 levels: Administrator, Operator and User
Client	iVMS-4200
Web Browser	IE8+, Chrome31-44, Firefox 30.0 - 51

Interface	
Communication Interface	iDS-2XM6810F-I/C: 1 RJ45 10M/100M Ethernet port iDS-2XM6810F-IM/C : 1 M12 aviation plug 1 RS-485 interface
Alarm	2 inputs, 1 output (up to 24 VDC 1 A, or 110 VAC 500 mA)
General	
Operating Conditions	-30°C to +60°C (-22 °F to +140 °F), humidity 95% or less (non-condensing)
Power Supply	12 VDC (wide voltage range: 8 V to 36 V), terminal block PoE (802.3af, class 3)
Power Consumption and Current	12 VDC, max. 7 W, 0.6A PoE (802.3af, 36 V to 57 V), max. 7 W, 0.2A to 0.13A
Material	Body: metal; enclosure: plastic
Dimensions	Camera: 216 × 87 × 57 mm (8.51" × 3.41" × 2.22") Package: 260 × 125 × 125 mm (10.24" × 4.92" × 4.92")
Weight	Approx.850 g (1.87 lb.), 1100 g (2.43 lb.) with package

## Available Models:

iDS-2XM6810F-I/C (2 mm), iDS-2XM6810F-IM/C (2 mm)

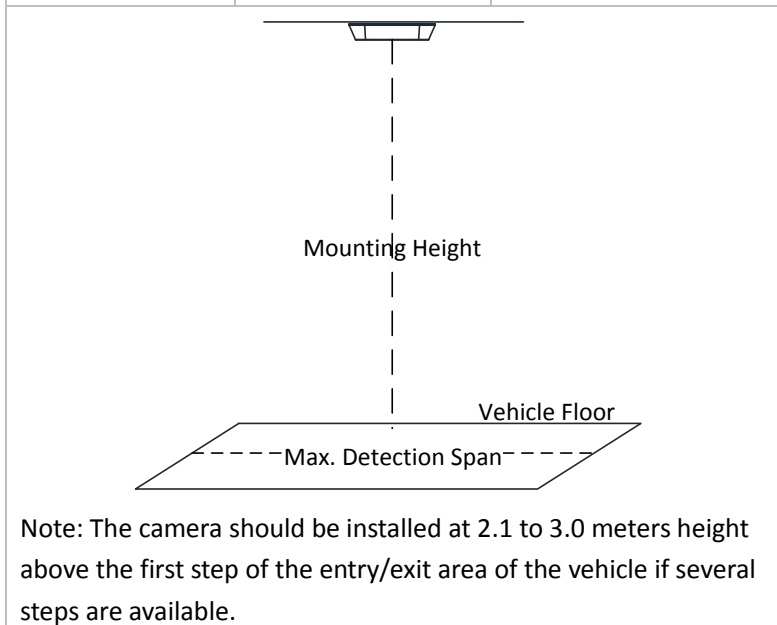
## Dimensions



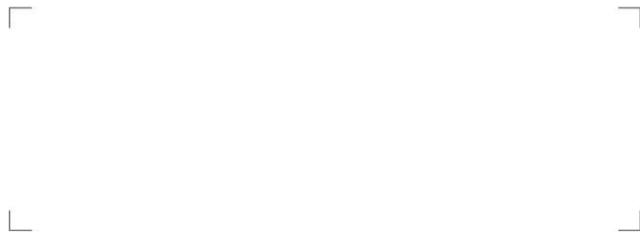
## Installation Recommendation

Following table shows the relations among focal length, mounting height, and max. detection span of typical values. For detailed installation advice, please contact the technical support of HIKVISION.

Focal Length (mm)	Mounting Height (m)	Max. Detection Span (m)
2.0	2.5	1.8
2.0	3.0	2.9
2.0	3.5	4.0



Distributed by



### Headquarters

No.555 Qianmo Road, Binjiang District,  
Hangzhou 310051, China  
T +86-571-8807-5998  
overseasbusiness@hikvision.com

**Hikvision USA**  
T +1-909-895-0400  
sales.usa@hikvision.com

**Hikvision Europe**  
T +31-23-55-42-770  
info.eu@hikvision.com

**Hikvision Middle East**  
T +971-4-8816086  
salesme@hikvision.com

**Hikvision Russia**  
T +7-495-669-67-99  
saleru@hikvision.com

**Hikvision India**  
T +91-22-28469900  
sales@pramahikvision.com

**Hikvision Italy**  
T +39-0438-6902  
info.it@hikvision.com

**Hikvision France**  
T +33(0)1-85-330-450  
info.fr@hikvision.com

**Hikvision Spain**  
T +34-91-737-16-55  
info.es@hikvision.com

**Hikvision Poland**  
T +48-22-460-01-50  
potland@hikvision.com

**Hikvision UK**  
T +01628-902140  
support.uk@hikvision.com

**Hikvision Singapore**  
T +65-6684-4718  
sg@hikvision.com

**Hikvision Oceania**  
T +61-2-8599-4233  
salesau@hikvision.com

**Hikvision Canada**  
T +1-909-895-0400  
sales.usa@hikvision.com

**Hikvision Korea**  
T +82-31-731-8841  
sales.korea@hikvision.com

**Hikvision Brazil**  
T +55 11 3318-0050  
Latam.support@hikvision.com

**Hikvision Africa**  
T +27 (10) 0351172  
sale.africa@hikvision.com

**Hikvision Hong Kong**  
T +852-2151-1761