

DS-2CD3048G2-LI(U) 4 MP Dual Illumination Fixed Bullet Network Camera



Hikvision has been dedicated to develop products with security since established. Hikvision always follows security by design principle and has adopted many methods of security technologies into our product development lifecycle, including terminal security, data security, application security, network security, and privacy protection. In the meantime, the security technologies used by Hikvision are all in compliance with local applicable laws and safety regulations. These security measures could enhance product's cyber security protection capability and protect your devices as well as your data from malicious cyber attacks.

- High quality imaging with 4 MP resolution
- Smart Dual-Light: advanced technology with long range
- Clear imaging against strong back light due to 120 dB WDR technology
- Efficient H.265+ compression technology
- Focus on human and vehicle classification based on deep learning
- -U: Built-in microphone for real-time audio security
- Water and dust resistant (IP67)

▪ Specification

| Camera | |
|-------------------------|--|
| Image Sensor | 1/3" Progressive Scan CMOS |
| Max. Resolution | 2688 × 1520 |
| Min. Illumination | Color: 0.001 Lux @ (F1.0, AGC ON), 0 Lux with light |
| Shutter Time | 1/3 s to 1/100,000 s |
| Day & Night | IR cut filter |
| Angle Adjustment | Pan: 0° to 360°, tilt: 0° to 90°, rotate: 0° to 360° |
| Lens | |
| Lens Type | Fixed focal lens, 2.8 and 4 mm optional |
| Focal Length & FOV | 2.8 mm, horizontal FOV 100.2°, vertical FOV 54.7°, diagonal FOV 119.7° 4 mm, horizontal FOV 81.1°, vertical FOV 44.7°, diagonal FOV 94.6° |
| Lens Mount | M12 |
| Iris Type | Fixed |
| Aperture | F1.0 |
| Depth of Field | 2.8 mm: 1.9 m to ∞ 4 mm: 2.5 m to ∞ |
| DORI | |
| DORI | 2.8mm: D: 63 m, O: 25 m, R: 12 m, I: 6 m 4mm: D: 78 m, O: 31 m, R: 15 m, I: 7 m |
| Illuminator | |
| Supplement Light Type | IR, White Light |
| Supplement Light Range | Up to 40 m |
| Smart Supplement Light | Yes |
| IR Wavelength | 850 nm |
| HEOP | |
| Open Resources | Memory: 60 MB, Smart RAM: 400 MB, eMMC: 2 GB |
| Computing Power | 1.5 TOPS |
| Open Capability | HEOP 2.0 OpendevSDK |
| Deep Learning Structure | Caffe, PyTorch, TensorFlow, PaddlePaddle, ONNX |
| Programming Language | C, C++ |
| Video | |
| Main Stream | 50 Hz: 25 fps (2688 × 1520, 1920 × 1080, 1280 × 720) 60 Hz: 30 fps (2688 × 1520, 1920 × 1080, 1280 × 720) |
| Sub-Stream | 50 Hz: 25 fps (1280 × 720, 640 × 480, 640 × 360) 60 Hz: 30 fps (1280 × 720, 640 × 480, 640 × 360) |
| Third Stream | 50 Hz: 10 fps (1920 × 1080, 1280 × 720, 640 × 480, 640 × 360) 60 Hz: 10 fps (1920 × 1080, 1280 × 720, 640 × 480, 640 × 360) *The third stream is supported under certain settings. |
| Fourth Stream | 50 Hz: 10 fps (1280 × 720, 640 × 480, 640 × 360) 60 Hz: 10 fps (1280 × 720, 640 × 480, 640 × 360) *The fourth stream is supported under certain settings. |

| | |
|-----------------------------|---|
| Video Compression | Main stream: H.265/H.264/H.264+/H.265+, Sub-stream: H.265/H.264/MJPEG, Third stream: H.265/H.264, Fourth stream: H.265/H.264/MJPEG, *The third stream and the fourth stream are supported under certain settings. |
| Video Bit Rate | 32 Kbps to 8 Mbps |
| H.264 Type | Baseline Profile,Main Profile,High Profile |
| H.265 Type | Main Profile |
| Bit Rate Control | CBR,VBR |
| Scalable Video Coding (SVC) | H.264 and H.265 encoding |
| Region of Interest (ROI) | 5 fixed regions for main stream and sub-stream |
| Target Cropping | Yes |
| Audio | |
| Audio Compression | -U: G.711/G.722.1/G.726/MP2L2/PCM/MP3/AAC-LC |
| Audio Bit Rate | -U: 64 Kbps (G.711ulaw/G.711alaw)/16 Kbps (G.722.1)/16 Kbps (G.726)/32 to 192 Kbps (MP2L2)/8 to 320 Kbps (MP3)/16 to 64 Kbps (AAC-LC) |
| Audio Sampling Rate | -U: 8 kHz/16 kHz/32 kHz/44.1 kHz/48 kHz |
| Environment Noise Filtering | -U: Yes |
| Network | |
| Protocols | TCP/IP, ICMP, HTTP, HTTPS, FTP, DHCP, DNS, DDNS, RTP, RTSP, NTP, UPnP, SMTP, IGMP, 802.1X, QoS, IPv4, IPv6, UDP, Bonjour, SSL/TLS, PPPoE, SFTP, ARP, SNMP, WebSocket, WebSockets, SRTP |
| Simultaneous Live View | Up to 6 channels |
| API | Open Network Video Interface (Profile S, Profile G, Profile T),ISAPI,SDK,ISUP |
| User/Host | Up to 32 users 3 user levels: administrator, operator, and user |
| Security | Password protection, complicated password, HTTPS encryption, 802.1X authentication (EAP-TLS, EAP-LEAP, EAP-MD5), watermark, IP address filter, basic and digest authentication for HTTP/HTTPS, WSSE and digest authentication for Open Network Video Interface, RTP/RTSP over HTTPS, control timeout settings, security audit log, TLS 1.1/1.2/1.3, host authentication (MAC address) |
| Network Storage | NAS (NFS, SMB/CIFS),Auto Network Replenishment (ANR), Together with high-end Hikvision memory card, memory card encryption and health detection are supported. |
| Client | iVMS-4200,Hik-Connect,Hik-Central |
| Web Browser | Plug-in required live view: IE 10, IE 11, Plug-in free live view: Chrome 57.0+, Firefox 52.0+, Edge 89+, Local service: Chrome 57.0+, Firefox 52.0+, Edge 89+ |
| Image | |
| Image Parameters Switch | Yes |
| Image Settings | Rotate mode,saturation,brightness,contrast,sharpness,gain,white balance,adjustable by client software or web browser |
| Day/Night Switch | Day,Night,Auto,Schedule |
| Image Enhancement | BLC,HLC,3D DNR |
| SNR | ≥ 52 dB |
| Wide Dynamic Range (WDR) | 120 dB |

| | |
|----------------------------------|---|
| Privacy Mask | 4 programmable polygon privacy masks |
| Interface | |
| Ethernet Interface | 1 RJ45 10 M/100 M self-adaptive Ethernet port |
| On-Board Storage | Built-in memory card slot, support microSD/microSDHC/microSDXC card, up to 512 GB |
| Built-in Microphone | -U: Yes |
| Reset Key | Yes |
| Event | |
| Basic Event | Motion detection (support alarm triggering by specified target types (human and vehicle)),video tampering alarm,exception |
| Linkage | Upload to FTP/NAS/memory card,notify surveillance center,send email,trigger recording,trigger capture |
| Smart Event | Unattended baggage detection,object removal detection, scene change detection,audio exception detection,defocus detection |
| Deep Learning Function | |
| Face Capture | Yes |
| People Counting | Yes |
| Perimeter Protection | Line crossing detection, intrusion detection, region entrance detection, region exiting detection, Support alarm triggered by specified target types (human and vehicle) |
| General | |
| Power | 12 VDC \pm 25%, 0.7 A, max. 8.5 W, \varnothing 5.5 mm coaxial power plug,reverse polarity protection, PoE: IEEE 802.3af, Class 3, max. 10 W |
| Material | Front cover: Metal, body: Metal, bracket: Metal |
| Dimension | \varnothing 74.4 mm \times 179.2 mm (\varnothing 2.9" \times 7.1") |
| Package Dimension | 234 mm \times 120 mm \times 117 mm (9.2" \times 4.7" \times 4.6") |
| Weight | Approx. 525 g (1.2 lb.) |
| With Package Weight | Approx. 750 g (1.7 lb.) |
| Storage Conditions | -30 $^{\circ}$ C to 60 $^{\circ}$ C (-22 $^{\circ}$ F to 140 $^{\circ}$ F). Humidity 95% or less (non-condensing) |
| Startup and Operating Conditions | -30 $^{\circ}$ C to 60 $^{\circ}$ C (-22 $^{\circ}$ F to 140 $^{\circ}$ F). Humidity 95% or less (non-condensing) |
| General Function | Heartbeat,mirror,flash log,password reset via email,pixel counter,anti-banding |
| Language | 33 languages: English, Russian, Estonian, Bulgarian, Hungarian, Greek, German, Italian, Czech, Slovak, French, Polish, Dutch, Portuguese, Spanish, Romanian, Danish, Swedish, Norwegian, Finnish, Croatian, Slovenian, Serbian, Turkish, Korean, Traditional Chinese, Thai, Vietnamese, Japanese, Latvian, Lithuanian, Portuguese (Brazil), Ukrainian |
| Approval | |
| EMC | FCC: 47 CFR Part 15, Subpart B, CE-EMC: EN 55032: 2015, EN 61000-3-2:2019, EN 61000-3-3: 2013+A1:2019, EN 50130-4: 2011 +A1: 2014, RCM: AS/NZS CISPR 32: 2015, IC: ICES-003: Issue 7 |

| | |
|-------------|--|
| Safety | UL: UL 62368-1, CB: IEC 62368-1: 2014+A11, CE-LVD: EN 62368-1: 2014/A11: 2017, BIS: IS 13252 (Part 1): 2010/IEC 60950-1: 2005, LOA: IEC/EN 60950-1 |
| Environment | CE-RoHS: 2011/65/EU |
| Protection | IP67: IEC 60529-2013 |

▪ Typical Application

Hikvision products are classified into three levels according to their anti-corrosion performance. Refer to the following description to choose for your using environment.

This model has NO SPECIFIC PROTECTION.

| Level | Description |
|------------------------|--|
| Top-level protection | Hikvision products at this level are equipped for use in areas where professional anti-corrosion protection is a must. Typical application scenarios include coastlines, docks, chemical plants, and more. |
| Moderate protection | Hikvision products at this level are equipped for use in areas with moderate anti-corrosion demands. Typical application scenarios include coastal areas about 2 kilometers (1.24 miles) away from coastlines, as well as areas affected by acid rain. |
| No specific protection | Hikvision products at this level are equipped for use in areas where no specific anti-corrosion protection is needed. |

▪ Available Model

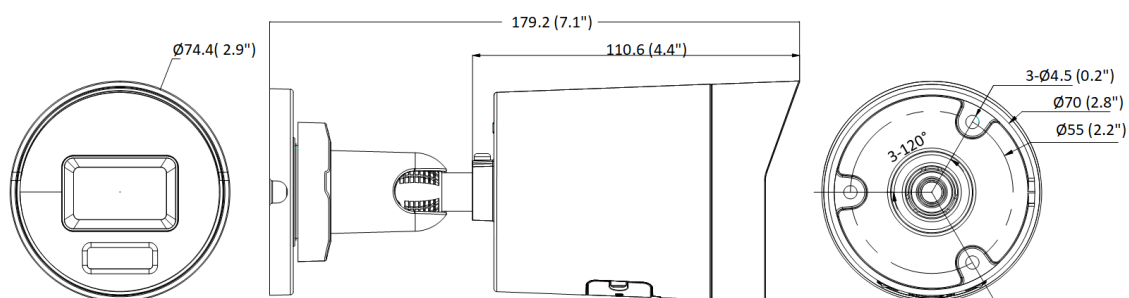
DS-2CD3048G2-LI(2.8mm)

DS-2CD3048G2-LI(4mm)

DS-2CD3048G2-LIU(2.8mm)




DS-2CD3048G2-LIU(4mm)

▪ Dimension



Unit: mm (inch)

- Accessory
- Optional

| DS-1275ZJ-SUS Vertical pole mount | DS-1276ZJ-SUS Corner mount | DS-1280ZJ-XS Junction box |
|---|---|---|
|  |  |  |

Headquarters

No.555 Qianmo Road, Binjiang District,
Hangzhou 310051, China
T +86-571-8807-5998
www.hikvision.com



Follow us on social media to get the latest product and solution information.



Hikvision



HikvisionHQ



HikvisionHQ



Hikvision_Global

Hikvision
Corporate Channel

hikvisionhq