

DS-2CD4C26FWD-(A)(P)

2 MP Ultra-Low Light Smart Box Camera

DarkFighter



smart IPC

The Darkfighter series ultra-low light smart cameras are able to capture high quality colored images in dim light environment.

DS-2CD4C26FWD-(A)(P) offers high resolution, 120dB WDR, Auto-iris, PoE, Defog, EIS, 3D DNR and 6 behavior analyses, 1 exception detection, and 1 recognition to meet a wide variety of applications.

- 1/1.8" Progressive Scan CMOS
- 1920 × 1080 @ 30fps
- Ultra-low light
- H.265, H.265+
- Auto-iris, support P-iris (-P)
- -A: supports auto back focus
- 120dB WDR
- 6 behavior analyses, 1 exception detections, and 1 recognition



Function Description

Smart

- 6 behavior analyses, 1 exception detection, and 1 recognition
- Smart recording: Support edge recording and dual-VCA
- Smart encoding: Support low bit rate, low latency, ROI enhance encoding

Image

- 1920 × 1080 @30fps
- Support auto iris, DC-drive or P-iris, optional
- Support rotate mode, suitable for environment as corridor
- Support target cropping, details can be seen with low bandwidth
- Streaming smoothness setting for different requirements of image quality and fluency
- Support H.265+/H.265/H.264+/H.264/MJPEG video compression, multi-level video quality configuration; support Baseline Profile/Main Profile/High Profile H.264 encoding complexity, and Main Profile for H.265 video complexity
- Multiple OSD color: Black & white self-adaptive; Custom
- 120dB WDR is supportable for backlight environment
- Support defog, BLC, EIS, 3D DNR, HLC

System

- Support ONVIF (profile S/profile G), ISAPI protocol
- Support three streams, and Support 20 channels live view at the same time
- Lightning protection, surge protection, voltage transient protection, anti-static protection

Interface

- Support standard 128 GB Micro SD/SDHC/SDXC card storage
- Support 10M/100M Ethernet port, RS-485
- Support Audio I/O, build-in microphone
- Support Alarm I/O
- Support CVBS analog output (4CIF resolution)

Security

- Support three-level user authentication management, user and password authorization, and IP address filtering
- Support security certificate as HTTPS
- Lock user IP after certain times failed login attempts

Specifications

Camera	
Image Sensor	1/1.8" Progressive Scan CMOS
Min. Illumination	Color: 0.002 Lux @ (F1.2, AGC ON) B/W: 0.0002 Lux @ (F1.2, AGC ON), 0 Lux with IR
Shutter Speed	1 s – 1/100,000 s, supports slow shutter
Lens Mount	C/CS mount
Auto-iris	DC drive With –P model: P-iris
Day & Night	IR cut filter with auto switch
Digital Noise Reduction	3D DNR
WDR	120dB
Focus	With –A model: supports ABF(auto back focus)
Compression Standard	
Video Compression	Main stream: H.265/H.264 Sub stream: H.265/H.264/MJPEG Third stream: H.265/H.264
H.264 Type	Baseline Profile/Main Profile/High Profile
H.264+	Support
H.265 Type	Main Profile
H.265+	Support
Video Bit Rate	32 Kbps – 16 Mbps
Audio Compression	G.711/G.722.1/G.726/MP2L2/PCM
Audio Bit Rate	64Kbps(G.711)/16Kbps(G.722.1)/16Kbps(G.726)/32-192Kbps(MP2L2)
Image	
Max. Resolution	1920 × 1080
Main Stream Max. Frame Rate	50Hz: 25fps (1920 × 1080, 1280 × 960, 1280 × 720) 60Hz: 30fps (1920 × 1080, 1280 × 960, 1280 × 720)
Sub Stream Max. Frame Rate	50Hz: 25fps (704 × 576, 640 × 480, 352 × 288, 320 × 240) 60Hz: 30fps (704 × 480, 640 × 480, 352 × 240, 320 × 240)
Third Stream Max. Frame Rate	50Hz: 25fps (1920 × 1080, 1280 × 960, 1280 × 720, 704 × 576, 640 × 480, 352 × 288, 320 × 240) 60Hz: 30fps (1920 × 1080, 1280 × 960, 1280 × 720, 704 × 480, 640 × 480, 352 × 240, 320 × 240)
Image Enhancement	BLC/3D DNR/Defog/EIS/HLC
Image Setting	Rotate mode, saturation, brightness, contrast, sharpness adjustable by client software or web browser
Region of Interest	Support 4 fixed region for each stream, and dynamic face tracking
Target Cropping	Support
Day/Night Switch	Day/Night/Auto/Schedule/Triggered by Alarm In
Picture Overlay	LOGO picture can be overlaid on video with 128 × 128 24bit bmp format
Network	
Network Storage	Support Micro SD/SDHC/SDXC card (128G), local storage and NAS (NFS,SMB/CIFS), ANR
Alarm Trigger	Motion detection, video tampering alarm, network disconnected, IP address conflict, illegal login, HDD full, HDD error
Protocols	TCP/IP, ICMP, HTTP, HTTPS, FTP, DHCP, DNS, DDNS, RTP, RTSP, RTCP, PPPoE, NTP, UPnP, SMTP, SNMP, IGMP, 802.1X, QoS, IPv6, UDP, Bonjour
General Function	One-key reset, anti-flicker, three streams, heartbeat, password protection, privacy mask, watermark, IP address filter

Standard	ONVIF (PROFILE S, PROFILE G), ISAPI
Interface	
Communication Interface	1 RJ45 10M/100M Ethernet port, 1 RS-485 interface
Audio	1-ch 3.5mm audio input(line in/mic in), 1-ch 3.5mm audio output 1 build-in microphone(can be turned off)
Alarm	1 input, 1 output (up to DC 24V, 1A or AC 110V, 500mA)
Video Output	1Vp-p composite output (75 Ω/BNC)
On-board storage	Built-in Micro SD/SDHC/SDXC slot, up to 128 GB
Reset Button	Yes
Audio	
Environment Noise Filtering	Support
Audio I/O	Support
Audio Sampling Rate	Max. 48 kHz
Smart Feature-set	
Behavior Analysis	Line crossing detection, Intrusion detection, Region entrance, Region exiting, Unattended baggage, Object removal
Line Crossing Detection	Cross a pre-defined virtual line, up to 4 pre-defined virtual lines supported
Intrusion Detection	Enter and loiter in a pre-defined virtual region, up to 4 pre-defined virtual regions supported
Region Entrance Detection	Enter a pre-defined virtual region from the outside place
Region Exit Detection	Exit from a pre-defined virtual region
Object Removal Detection	Objects removed from the pre-defined region, such as the exhibits on display.
Unattended Baggage Detection	Objects left over in the pre-defined region such as the baggage, purse, dangerous materials
Exception Detection	Scene Change Detection
Recognition	Face Detection
General	
Operating Conditions	-30 °C to +60 °C (-22 °F to +140 °F), Humidity 95% or less (non-condensing)
Power Supply	12 VDC ± 25%, 24 VDC ± 25%, PoE (802.3af, class 3) Terminal block
Power Consumption and Current	12 VDC, 0.5 A, max. 6.0 W 24 VAC, 0.4 A, max. 6.0 W PoE (802.3af, 36 V to 57 V), 0.1 A to 0.2 A, max. 7.6 W
Dimensions	Camera: 69.8 × 58 × 145 mm (2.75" × 2.28" × 5.71") Package: 315 × 140 × 140 mm (12.4" × 5.51" × 5.51")
Weight	830 g (1.83 lbs)

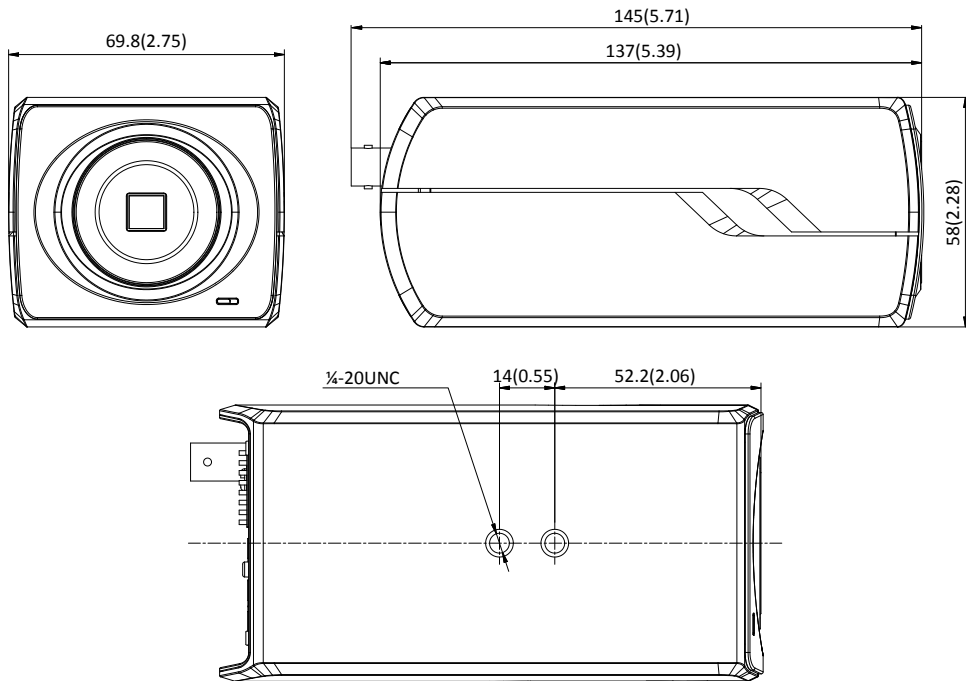
Available Models:

DS-2CD4C26FWD, DS-2CD4C26FWD-A, DS-2CD4C26FWD-P, DS-2CD4C26FWD-AP

*-A: supports ABF (auto back focus)

*-P: supports P-iris

Dimensions



Accessories



HV3816P-8MPIR
3.8 to 16 mm P-iris



HV3816D-8MPIR
3.8 to 16 mm DC Iris



DS-1292ZJ
Wall Mount (Indoor)



DS-1299ZJ
Pendant Mount (Indoor)



HV1140D-8MPIR
11 to 40 mm DC Iris



HV1250D-MPIR
12 to 50 mm DC Iris



DS-1330HZ
Indoor Housing



DS-1331HZ Series
Outdoor Housing



DS-1340HZ
Outdoor Housing



DS-1332HZ
Indoor Housing

Distributed by

**HIKVISION®****Headquarters**

No.555 Qianmo Road, Binjiang District,
Hangzhou 310051, China
T +86-571-8807-5998
overseasbusiness@hikvision.com

Hikvision USA
T +1-909-895-0400
sales.usa@hikvision.com

Hikvision Italy
T +39-0438-6902
info.it@hikvision.com

Hikvision Singapore
T +65-6684-4718
sg@hikvision.com

Hikvision Africa
T +27 (10) 0351172
sale.africa@hikvision.com

Hikvision Europe
T +31-23-55-42-770
info.eu@hikvision.com

Hikvision France
T +33(0)1-85-330-450
info.fr@hikvision.com

Hikvision Oceania
T +61-2-8599-4233
salesau@hikvision.com

Hikvision Hong Kong
T +852-2151-1761

Hikvision Middle East
T +971-4-8816086
salesme@hikvision.com

Hikvision Spain
T +34-91-737-16-55
info.es@hikvision.com

Hikvision Canada
T +1-909-895-0400
sales.usa@hikvision.com

Hikvision Russia
T +7-495-669-67-99
saleru@hikvision.com

Hikvision Poland
T +48-22-460-01-50
poland@hikvision.com

Hikvision Korea
T +82-31-731-8841
sales.korea@hikvision.com

Hikvision India
T +91-22-28469900
sales@pramahikvision.com

Hikvision UK
T +01628-902140
support.uk@hikvision.com

Hikvision Brazil
T +55 11 3318-0050
Latam.support@hikvision.com