

## DS-2CD3023G0-I 2 MP IR Fixed Bullet Network Camera



- 1/2.8" Progressive Scan CMOS
- 1920 × 1080@30fps
- 2.8/4/6 mm fixed lens
- Color: 0.01 Lux @ (F1.2, AGC ON), 0.028 Lux @ (F2.0, AGC ON), 0 Lux with IR
- H.265, H.265+, H.264, H.264+
- Three streams
- 120dB WDR

- BLC/3D DNR/ROI/HLC
- IP67
- Built-in micro SD/SDHC/SDXC card slot, up to 128 GB
- 3-Axis adjustment



## Specifications

| Camera                  |   |
|-------------------------|---|
| Image Sensor            | 1/2.8" Progressive Scan CMOS  |
| Min. Illumination       | Color: 0.01 Lux @ (F1.2, AGC ON), 0.028 Lux @ (F2.0, AGC ON), 0 Lux with IR   |
| Shutter Speed           | 1/3 s to 1/100,000 s  |
| Slow Shutter            | Yes   |
| Day & Night             | IR Cut Filter.  |
| Digital Noise Reduction | 3D DNR  |
| WDR                     | 120 dB  |
| Angle Adjustment        | Pan: 0° to 360°, tilt: 0° to 90°, rotate: 0° to 360°  |
| Lens                    |   |
| Focal length            | 2.8/4/6/8 mm  |
| Aperture                | F2.0  |
| Focus                   | Fixed   |
| FOV                     | 2.8 mm, horizontal FOV: 103°, vertical FOV: 59°, diagonal FOV: 118°<br>4 mm, horizontal FOV: 86°, vertical FOV: 46°, diagonal FOV: 102°<br>6 mm, horizontal FOV: 54°, vertical FOV: 30°, diagonal FOV: 62°  |
| Lens Mount              | M12   |
| IR                      |   |
| IR Range                | Up to 40 m  |
| Wavelength              | 850 nm  |
| Compression Standard    |   |
| Video Compression       | Main stream: H.265/H.264<br>Sub-stream: H.265/H.264/MJPEG<br>Third stream: H.265/H.264/MJPEG  |
| H.264 Type              | Main Profile/High Profile   |
| H.264+                  | Main stream supports  |
| H.265 Type              | Main Profile  |
| H.265+                  | Main stream supports  |
| Video Bit Rate          | 256 Kbps to 16 Mbps   |
| Smart Feature-Set       |   |
| Smart Event             | Line crossing detection, up to 1 line configurable<br>Intrusion detection, up to 1 region configurable<br>Unattended baggage detection, up to 1 region configurable<br>Object removal detection, up to 1 region configurable<br>Face detection: detects faces<br>Scene change detection |
| Basic Event             | Motion detection, video tampering alarm, exception (network disconnected, IP address conflict, illegal login, HDD full, HDD error)  |
| Face Detection          | Yes   |

|                         |   |
|-------------------------|---|
| Linkage Method          | Trigger recording: memory card, network storage, pre-record and post-record<br>Trigger captured pictures uploading: FTP, HTTP, NAS, Email<br>Trigger notification: HTTP, ISAPI, Email   |
| Region of Interest      | 5 fixed region for main stream and sub-stream   |
| <b>Image</b>            |   |
| Max. Resolution         | 1920 × 1080   |
| Main Stream             | 50Hz: 25fps (1920 × 1080, 1280 × 960, 1280 × 720)<br>60Hz: 30fps (1920 × 1080, 1280 × 960, 1280 × 720)  |
| Sub-stream              | 50Hz: 25fps (640 × 480, 640 × 360, 320 × 240)<br>60Hz: 30fps (640 × 480, 640 × 360, 320 × 240)  |
| Third Stream            | 50Hz: 25fps (1920 × 1080, 1280 × 720, 640 × 360, 352 × 288)<br>60Hz: 30fps (1920 × 1080, 1280 × 720, 640 × 360, 352 × 240)  |
| Image Enhancement       | BLC/3D DNR/HLC  |
| Image Settings          | Rotate mode , saturation, brightness, contrast, sharpness, AGC, and white balance are adjustable by client software or web browser  |
| Day/Night Switch        | Day/Night/Auto/Schedule   |
| <b>Network</b>          |   |
| Network Storage         | Support Micro SD/SDHC/SDXC card (128G), local storage and NAS (NFS,SMB/CIFS), ANR   |
| Protocols               | TCP/IP, UDP, ICMP, HTTP, HTTPS, FTP, DHCP, DNS, DDNS, RTP, RTSP, RTCP, PPPoE, NTP, UPnP, SMTP, SNMP, IGMP, 802.1X, QoS, IPv6, UDP, Bonjour, SSL/TLS   |
| General Function        | Anti-flicker, three streams , heartbeat, mirror, privacy masks, password reset via e-mail, pixel counter, HTTP listening  |
| API                     | ONVIF (PROFILE S, PROFILE G, PROFILE T), ISAPI, SDK, Ehome  |
| Security                | Password protection, complicated password, HTTPS encryption, 802.1X authentication (EAP-TLS 1.2, EAP-LEAP, EAP-MD5), watermark, IP address filter, basic and digest authentication for HTTP/HTTPS, WSSE and digest authentication for ONVIF, TLS1.2 |
| Simultaneous Live View  | Up to 6 channels  |
| User/Host               | Up to 32 users, 3 levels: administrator, operator and user  |
| Client                  | iVMS-4200, Hik-Connect, Hik-Central   |
| Web Browser             | Plug-in required live view: IE8+<br>Plug-in free live view: Chr2ome 57.0+, Firefox 52.0+, Safari 11+<br>Local Service: Chrome 41.0+, Firefox 30.0+  |
| <b>Interface</b>        |   |
| Communication Interface | 1 RJ45 10M/100M self-adaptive Ethernet port   |
| On-board storage        | Built-in micro SD/SDHC/SDXC slot, up to 128 GB  |
| Reset Button            | Yes   |
| <b>General</b>          |   |
| Operating Conditions    | -30 °C to +60 °C (-22 °F to +140 °F), humidity 95% or less (non-condensing)   |

|                               |  |
|-------------------------------|--|
| Web Client Language           | 32 languages<br>English, Russian, Estonian, Bulgarian, Hungarian, Greek, German, Italian, Czech, Slovak, French, Polish, Dutch, Portuguese, Spanish, Romanian, Danish, Swedish, Norwegian, Finnish, Croatian, Slovenian, Serbian, Turkish, Korean, Traditional Chinese, Thai, Vietnamese, Japanese, Latvian, Lithuanian, Portuguese (Brazil) |
| Power Supply                  | 12 VDC $\pm$ 25%, $\Phi$ 5.5 mm coaxial power plug; PoE (802.3af, class 3)   |
| Power Consumption and Current | 12 VDC, 0.5A, max. 6W; PoE (802.3af, 36V to 57V), 0.2A to 0.1A, max. 7.5W  |
| Protection Level              | IP67   |
| Material                      | Metal  |
| Dimensions                    | Camera: $\Phi$ 70 $\times$ 155.03 mm ( $\Phi$ 2.8" $\times$ 6.1")<br>Package: 216 $\times$ 121 $\times$ 118 mm (8.5" $\times$ 4.8" $\times$ 4.7")  |
| Weight                        | Camera: Approx. 420 g (0.9 lb.)<br>With Package: Approx. 700 g (1.5 lb.)   |

## Available Model

DS-2CD3023G0-I (2.8/4/6 mm)

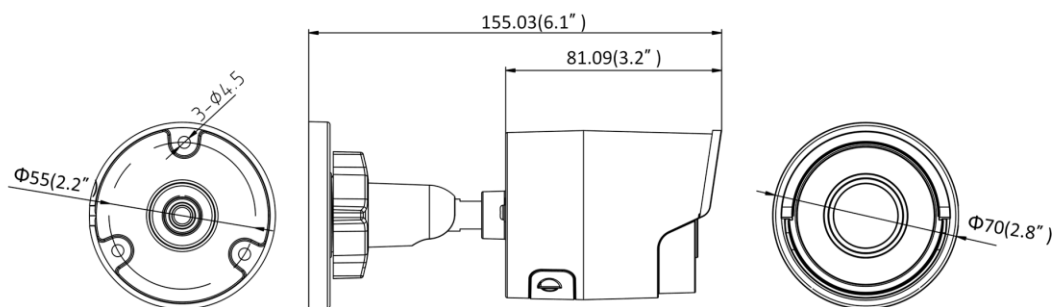
### ▪ Typical Application

Hikvision products are classified into three levels according to their anti-corrosion performance. Refer to the following description to choose for your using environment.

This model has NO SPECIFIC PROTECTION.

| Level                  | Description  |
|------------------------|--|
| Top-level protection   | Hikvision products at this level are equipped for use in areas where professional anti-corrosion protection is a must. Typical application scenarios include coastlines, docks, chemical plants, and more.   |
| Moderate protection    | Hikvision products at this level are equipped for use in areas with moderate anti-corrosion demands. Typical application scenarios include coastal areas about 2 kilometers (1.24 miles) away from coastlines, as well as areas affected by acid rain. |
| No specific protection | Hikvision products at this level are equipped for use in areas where no specific anti-corrosion protection is needed.  |

## Dimension

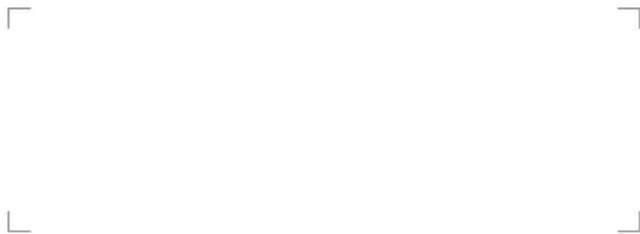


**Accessory**



**DS-1280ZJ-XS  
Junction Box**

Distributed by

**HIKVISION®****Headquarters**

No.555 Qianmo Road, Binjiang District,  
Hangzhou 310051, China  
T +86-571-8807-5998  
overseasbusiness@hikvision.com

**Hikvision USA**  
T +1-909-895-0400  
sales.usa@hikvision.com

**Hikvision Australia**  
T +61-2-8599-4233  
salesau@hikvision.com

**Hikvision India**  
T +91-22-28469900  
sales@pramahikvision.com

**Hikvision Canada**  
T +1-866-200-6690  
sales.canada@hikvision.com

**Hikvision Thailand**  
T +662-275-9949  
sales.thailand@hikvision.com

**Hikvision Europe**  
T +31-23-5542770  
sales.eu@hikvision.com

**Hikvision Italy**  
T +39-0438-6902  
info.it@hikvision.com

**Hikvision Brazil**  
T +55 11 3318-0050  
Latam.support@hikvision.com

**Hikvision Turkey**  
T +90 (216)521 7070- 7074  
sales.tr@hikvision.com

**Hikvision Malaysia**  
T +601-7652-2413  
sales.my@hikvision.com

**Hikvision UK & Ireland**  
T +01628-902140  
sales.uk@hikvision.com

**Hikvision South Africa**  
Tel: +27 (10) 0351172  
sale.africa@hikvision.com

**Hikvision France**  
T +33(0)1-85-330-450  
info.fr@hikvision.com

**Hikvision Kazakhstan**  
T +7-727-9730667  
nikia.panfilov@hikvision.ru

**Hikvision Vietnam**  
T +84-974270888  
sales.vt@hikvision.com

**Hikvision UAE**  
T +971-4-4432090  
salesme@hikvision.com

**Hikvision Singapore**  
T +65-6684-4718  
sg@hikvision.com

**Hikvision Spain**  
T +34-91-737-16-55  
info.es@hikvision.com

**Hikvision Tashkent**  
T +99-87-1238-9438  
uzb@hikvision.ru

**Hikvision Hong Kong**  
T +852-2151-1761  
info.hk@hikvision.com

**Hikvision Russia**  
T +7-495-669-67-99  
sateru@hikvision.com

**Hikvision Korea**  
T +82-[0]31-731-8817  
sales.korea@hikvision.com

**Hikvision Poland**  
T +48-22-460-01-50  
info.pl@hikvision.com

**Hikvision Indonesia**  
T +62-21-2933759  
Sales.Indonesia@hikvision.com

**Hikvision Colombia**  
sales.colombia@hikvision.com