

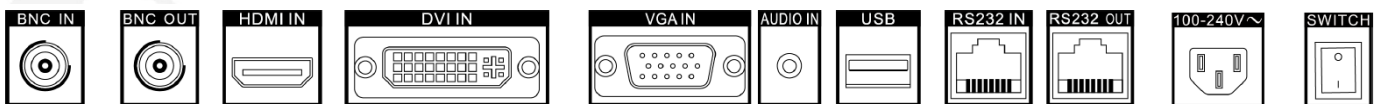
## DS-D5055FL-B 55" FHD Monitor



### Key Features

- Supports 8 bit dual-channel LVDS (1920 x 1080) HD display.
- Adopts 3D digital comb filter and 3D noise reduction technology.
- Adopts 12-bit RGB gamma calibration technology.
- Built-in infrared remote control receiver, integrated design, beautiful appearance.
- Fine factory settings.
- Software spread spectrum technology can reduce EMI radiation.
- BNC interface supports one-channel CVBS surveillance video input and CVBS loop out.
- Supports multi-media broadcasting in text, picture, audio and video formats.
- Fan-less design provides energy-saving operation.
- Supports one-touch quiescence and high temperature alarm.
- Supports USB software update.
- Supports 3.5 mm audio input.
- Supports 7 x 24 hours working mode.
- Adopts Mstar ACE-5 auto-coloring and image-enhancing engine to improve image contrast, detail, skin color, edge, etc.

### Physical Interface



Interface	Description	Interface	Description
BNC IN	CVBS signal input	USB	USB interface
BNC OUT	CVBS signal loop out	RS232 IN	Serial port input
HDMI IN	HDMI digital signal input	RS232 OUT	Serial port output
DVI IN	DVI signal input	100-240V~	Power supply
VGA IN	VGA signal input	SWITCH	Power switch
AUDIO IN	3.5 mm audio input		



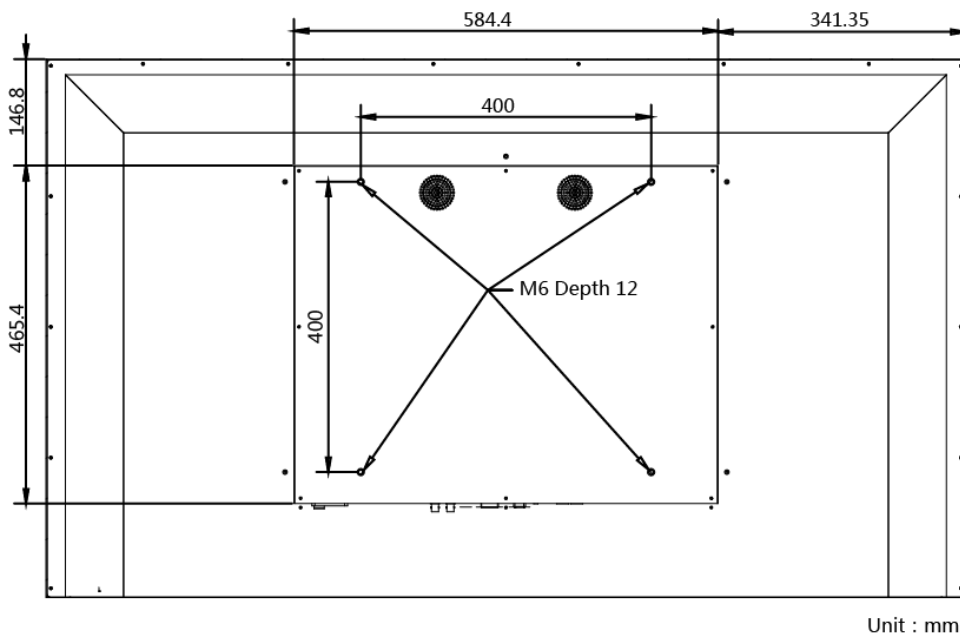
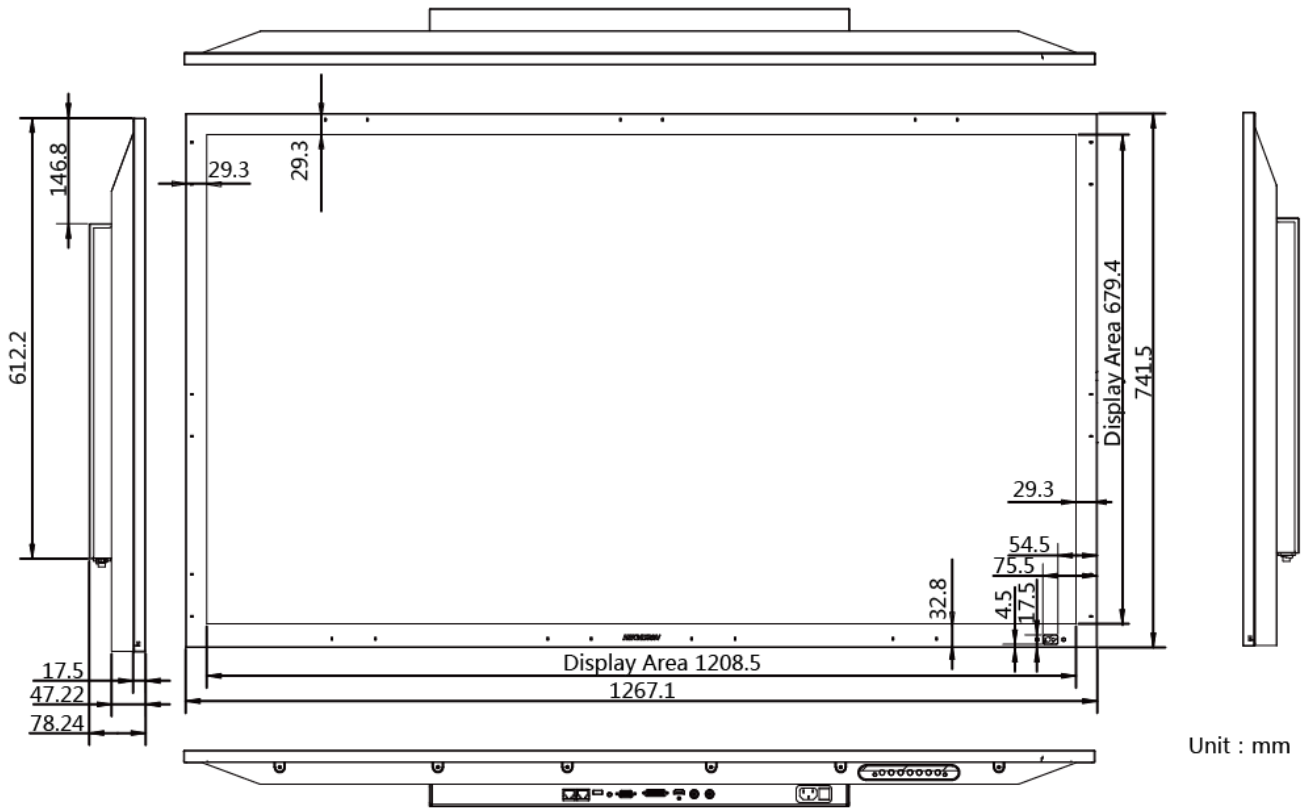
## Specifications

Model		DS-D5055FL-B
Display	Screen size	54.64 inch
	Active display area	1208.5 (H) x 679.4 (V) mm (47.58 x 26.75 inch)
	Backlight	LED
	Pixel pitch	0.210 (H) x 0.630 (V) mm
	Border width	29.3 mm (left side, right side, top), 32.8 mm (bottom)
	Resolution	1920 x 1080
	Brightness	450 cd/m <sup>2</sup>
	Viewing angle	178 (H) / 178 (V)
	Color depth	8 bit, , 16.7 M
	Contrast ratio	3500: 1
	Response time	6.5 ms
	Refresh rate	60 Hz
	Color gamut	68 % NTSC
	Reliability	7 x 24 H
Interface	Video & audio input	VGA x 1, DVI x 1, HDMI x 1, BNC IN x 1 AUDIO IN x 1
	Video & audio output	BNC OUT x 1 Built-in audio x 2
	Data transmission interface	USB x 1
	Control interface	RS-232 IN x 1, RS-232 OUT x 1
General	Casing material	Metal
	VESA	400 (H) x 400 (V) mm (15.04 x 15.04 inch)
	Power supply	100 to 240 VAC, 50/60 ± 3 Hz
	Power consumption	118 W
	Standby consumption	1 W
	Working temperature	0 °C to 50 °C (32 °F to 122 °F)
	Working humidity	10 % to 90 % RH
	Storage temperature	-20 °C to 60 °C (-4 °F to 140 °F)
	Storage humidity	10 % to 90 % RH
	Product dimensions	1267.1 (W) x 741.5 (H) x 78.24 (D) mm (49.89 x 29.19 x 3.08 inch)
	Package dimension	1395 (W) x 890 (H) x 295 (D) mm (54.92 x 35.04 x 11.61 inch)
	Net weight	22 Kg (48.5 lb.)
Gross weight	25 Kg (55.12 lb.)	
Accessory	Remote control x 1, Infrared receiver x 1, Battery x 2, User manual x 1, Power cable x 1, CD-ROM x 1	

## Available Model

DS-D5055FL-B

Dimensions



Distributed by

**HIKVISION®****Headquarters**

No.555 Qianmo Road, Binjiang District,  
Hangzhou 310051, China  
T +86-571-8807-5998  
overseasbusiness@hikvision.com

**Hikvision USA**  
T +1-909-895-0400  
sales.usa@hikvision.com

**Hikvision Australia**  
T +61-2-8599-4233  
salesau@hikvision.com

**Hikvision India**  
T +91-22-28469900  
sales@pramahikvision.com

**Hikvision Canada**  
T +1-866-200-6690  
sales.canada@hikvision.com

**Hikvision Thailand**  
T +662-275-9949  
sales.thailand@hikvision.com

**Hikvision Europe**  
T +31-23-5542770  
sales.eu@hikvision.com

**Hikvision Italy**  
T +39-0438-6902  
info.it@hikvision.com

**Hikvision Brazil**  
T +55 11 3318-0050  
Latam.support@hikvision.com

**Hikvision Turkey**  
T +90 (216)521 7070- 7074  
sales.tr@hikvision.com

**Hikvision Malaysia**  
T +601-7652-2413  
sales.my@hikvision.com

**Hikvision UK & Ireland**  
T +01628-902140  
sales.uk@hikvision.com

**Hikvision South Africa**  
Tel: +27 (10) 0351172  
sale.africa@hikvision.com

**Hikvision France**  
T +33(0)1-85-330-450  
info.fr@hikvision.com

**Hikvision Kazakhstan**  
T +7-727-9730667  
nikia.panfilov@hikvision.ru

**Hikvision Vietnam**  
T +84-974270888  
sales.vt@hikvision.com

**Hikvision UAE**  
T +971-4-4432090  
salesme@hikvision.com

**Hikvision Singapore**  
T +65-6684-4718  
sg@hikvision.com

**Hikvision Spain**  
T +34-91-737-16-55  
info.es@hikvision.com

**Hikvision Tashkent**  
T +99-87-1238-9438  
uzb@hikvision.ru

**Hikvision Hong Kong**  
T +852-2151-1761  
info.hk@hikvision.com

**Hikvision Russia**  
T +7-495-669-67-99  
saleru@hikvision.com

**Hikvision Korea**  
T +82-[0]31-731-8817  
sales.korea@hikvision.com

**Hikvision Poland**  
T +48-22-460-01-50  
info.pl@hikvision.com

**Hikvision Indonesia**  
T +62-21-2933759  
Sales.Indonesia@hikvision.com

**Hikvision Colombia**  
sales.colombia@hikvision.com