

## DS-2TV03-10ZI

### Thermal Advanced Driving Assistance System



Hikvision DS-2TV03-10ZI Thermal Advanced Driving Assistance System is a high-performance equipment that improves fighting ability in darkness. It is able to resolve driving problems of transport and fighting vehicles in extreme environment, such as driving in heavy fog, heavy smoke environment, or driving in darkness with no light. The product provides stable use for all day and is becoming the standard equipment for military vehicles.

#### Key Features

- Leading image processing technology: Adaptive AGC, DDE, 3D DNR, NETD < 40mK(@25 °C,F#=1.0)
- Lane marking technology
- Adopt shutterless technology
- 800\*480 resolution LCD display
- Support intelligent deicing, IR window replaceable
- Equipped with mounting bracket, easy to install
- IP67 protection level



## Specifications

Parameter		Model	DS-2TV03-10ZI
			Thermal Advanced Driving Assistance System
<b>Thermal</b>	Image sensor	Uncooled Focal Plane Arrays	
	Max. Resolution	384 × 288	
	Pixel interval	17μm	
	Response waveband	8μm to 14μm	
	NETD	< 40mk(@25 °C,F#=1.0)	
	Lens (focal length)	10mm	
	MRAD	1.7	
	Field of View	36 °×27 °	
	Min. Focusing Distance	2m	
	F number	1.0	
	Frame Rate	50fps	
<b>System</b>	Pedestrian detection	Support	
	Intelligent lane marking	Support	
	Palettes	Black hot, white hot, green hot	
	Uniformity Correction	Support shutterless technology	
	Intelligent deicing	Support	
	Digital Zoom	1X, 2X	
<b>Integration</b>	General plug	Aviation plug	
	Video Output Format	CCIR	
	Analog Video Output	Support	
<b>General</b>	Menu	English	
	Power	DC12V	
	Work Temperature	From -40 °C to 55 °C (-40 °F to 131 °F)	
	Protection Level	IP67	
	Dimension (L x W x H)	98mm × 96.3mm × 103.9mm (3.85" × 3.79" × 4.09")	
	Weight	440g (0.97lb)	
	Accessory	Video Cable (4 m/13.1'), Power Cord (1.5 m/4.9'), Cigar Light Cable (1.5 m/4.9'), Cable Clamp (large), Cable Clamp (small), Wrench, Hex Wrench, Mount Screw, Self-tapping Screw, Disassembling Tool, Cloth	
<b>Screen</b>	Resolution	800*480 LCD	
	Power	DC9~36V by automobile cigar lighter plug, support anti-reverse connection protection	
	Work Temperature	From -20 °C to 55 °C (-4 °F to 131 °F)	
	Mounting	UNC 1/4"-20	
	Dimension (L x W x H)	192.3mm × 35mm × 136.3mm (7.57" × 1.38" × 5.37")	
	Weight	660g (1.46lb)	
	Hardware Interface	One power interface, one data input interface	

## Wide Range Coverage for Different Specifications

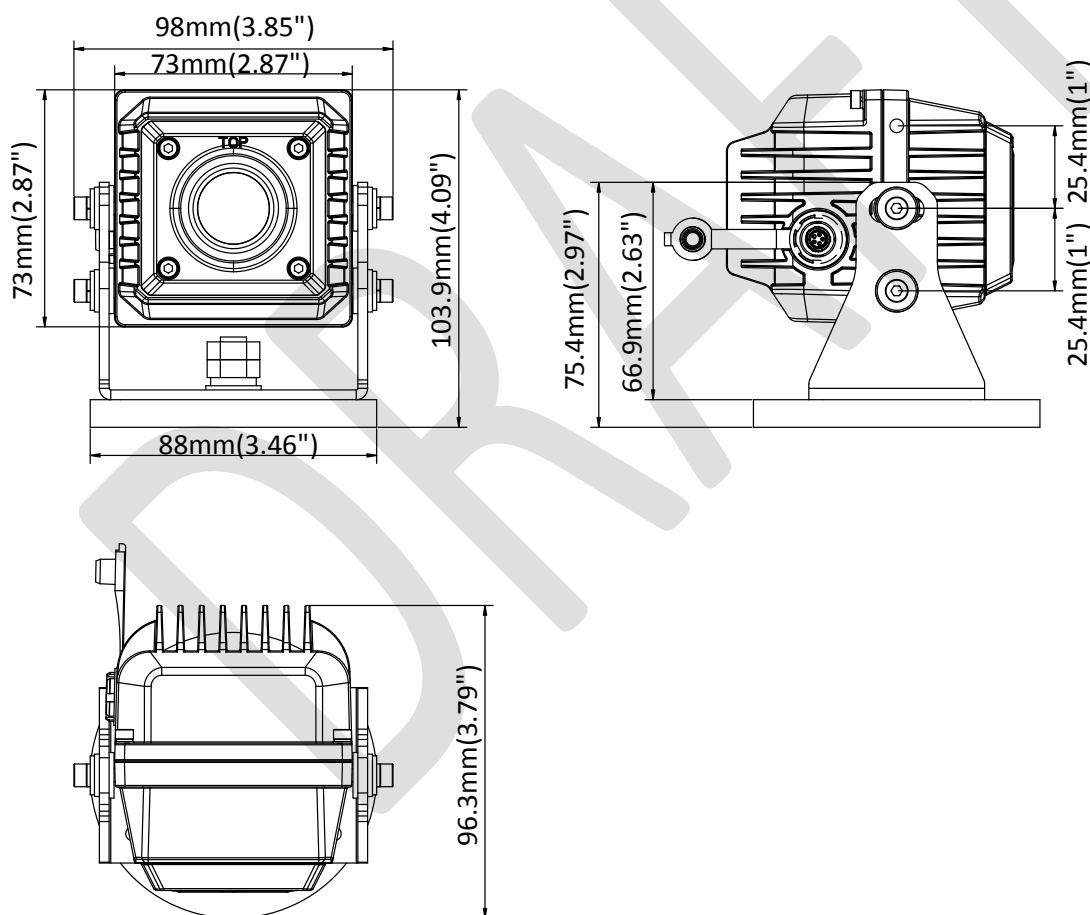
*Note:* The table below is only for reference, the performance varies from model to model, and the specific data is based on 17 μm pixel space-between.

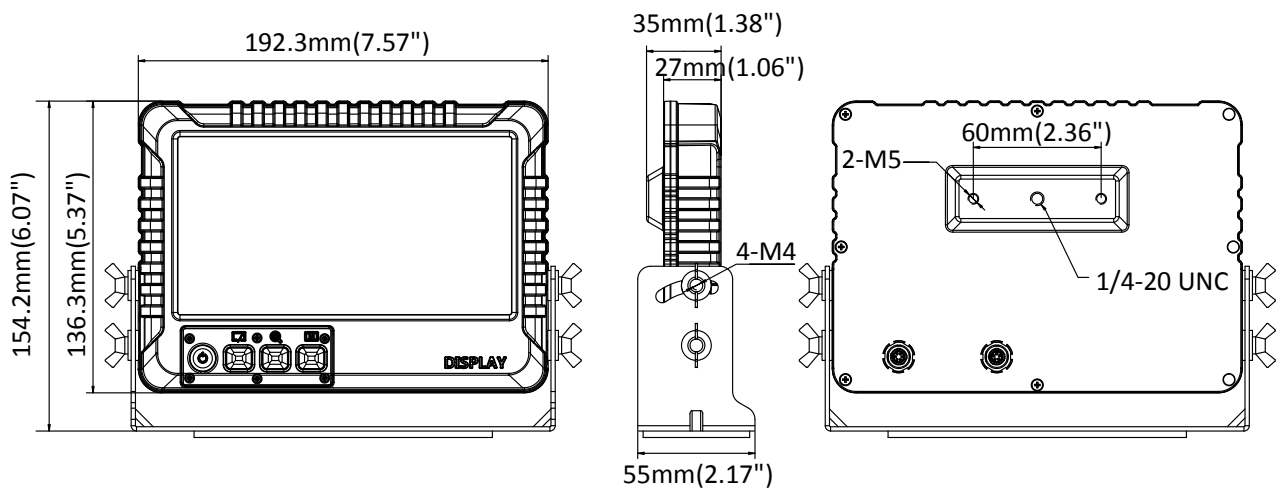
Detection Range (Vehicles: 1.4×4.0m)	Detection Range (Humans: 1.8×0.5m)	Recognition Range (Vehicles: 1.4×4.0m)	Recognition Range (Humans: 1.8×0.5m)	Identification Range (Vehicles: 1.4×4.0m)	Identification Range (Humans: 1.8×0.5m)
902m	294m	225m	74m	113m	37m

## Order Models

DS-2TV03-10ZI

## Dimensions





Distributed by



## HIKVISION®

### Headquarters

No.555 Qianmo Road, Binjiang District,  
Hangzhou 310051, China  
T +86-571-8807-5998  
overseasbusiness@hikvision.com

**Hikvision USA**  
T +1-909-895-0400  
sales.usa@hikvision.com

**Hikvision Australia**  
T +61-2-8599-4233  
salesau@hikvision.com

**Hikvision India**  
T +91-22-28469900  
sales@pramahikvision.com

**Hikvision Canada**  
T +1-866-200-6690  
sales.canada@hikvision.com

**Hikvision Thailand**  
T +662-275-9949  
sales.thailand@hikvision.com

**Hikvision Europe**  
T +31-23-5542770  
sales.eu@hikvision.com

**Hikvision Italy**  
T +39-0438-6902  
info.it@hikvision.com

**Hikvision Brazil**  
T +55 11 3318-0050  
Latam.support@hikvision.com

**Hikvision Turkey**  
T +90 [216]521 7070- 7074  
sales.tr@hikvision.com

**Hikvision Malaysia**  
T +601-7652-2413  
sales.my@hikvision.com

**Hikvision UK & Ireland**  
T +01628-902140  
sales.uk@hikvision.com

**Hikvision South Africa**  
Tel: +27 (10) 0351172  
sale.africa@hikvision.com

**Hikvision France**  
T +33(0)1-85-330-450  
info.fr@hikvision.com

**Hikvision Kazakhstan**  
T +7-727-9730667  
nikia.panfilov@hikvision.ru

**Hikvision Vietnam**  
T +84-974270888  
sales.vt@hikvision.com

**Hikvision UAE**  
T +971-4-4432090  
salesme@hikvision.com

**Hikvision Singapore**  
T +65-6684-4718  
sg@hikvision.com

**Hikvision Spain**  
T +34-91-737-16-55  
info.es@hikvision.com

**Hikvision Tashkent**  
T +99-87-1238-9438  
uzb@hikvision.ru

**Hikvision Hong Kong**  
T +852-2151-1761  
info.hk@hikvision.com

**Hikvision Russia**  
T +7-495-669-67-99  
saleru@hikvision.com

**Hikvision Korea**  
T +82-(0)31-731-8817  
sales.korea@hikvision.com

**Hikvision Poland**  
T +48-22-460-01-50  
info.pl@hikvision.com

**Hikvision Indonesia**  
T +62-21-2933759  
Sales.Indonesia@hikvision.com

**Hikvision Colombia**  
sales.colombia@hikvision.com