



# DS-TPE1XX Entrance & Exit Control Terminal

Quick Start Guide

## **Quick Start Guide**

COPYRIGHT ©2018 Hangzhou Hikvision Digital Technology Co., Ltd.

### **ALL RIGHTS RESERVED.**

Any and all information, including, among others, wordings, pictures, graphs are the properties of Hangzhou Hikvision Digital Technology Co., Ltd. or its subsidiaries (hereinafter referred to be “Hikvision”). This user manual (hereinafter referred to be “the Manual”) cannot be reproduced, changed, translated, or distributed, partially or wholly, by any means, without the prior written permission of Hikvision. Unless otherwise stipulated, Hikvision does not make any warranties, guarantees or representations, express or implied, regarding to the Manual.

### **About this Manual**

This Manual is applicable to DS-TPE1XX Entrance & Exit Control Terminal.

The Manual includes instructions for using and managing the product. Pictures, charts, images and all other information hereinafter are for description and explanation only. The information contained in the Manual is subject to change, without notice, due to firmware updates or other reasons. Please find the latest version in the company website (<http://overseas.hikvision.com/en/>).

Please use this user manual under the guidance of professionals.

### **Trademarks Acknowledgement**

**HIKVISION** and other Hikvision’s trademarks and logos are the properties of Hikvision in various jurisdictions. Other trademarks and logos mentioned below are the properties of their respective owners.

### **Legal Disclaimer**

TO THE MAXIMUM EXTENT PERMITTED BY APPLICABLE LAW, THE PRODUCT DESCRIBED, WITH ITS HARDWARE, SOFTWARE AND FIRMWARE, IS PROVIDED “AS IS”, WITH ALL FAULTS AND ERRORS, AND HIKVISION MAKES NO WARRANTIES, EXPRESS OR IMPLIED, INCLUDING WITHOUT LIMITATION, MERCHANTABILITY, SATISFACTORY QUALITY, FITNESS FOR A PARTICULAR PURPOSE, AND NON-INFRINGEMENT OF THIRD PARTY. IN NO EVENT WILL HIKVISION, ITS DIRECTORS, OFFICERS, EMPLOYEES, OR AGENTS BE LIABLE TO YOU FOR ANY SPECIAL, CONSEQUENTIAL, INCIDENTAL, OR INDIRECT DAMAGES, INCLUDING, AMONG OTHERS, DAMAGES FOR LOSS OF BUSINESS PROFITS, BUSINESS INTERRUPTION, OR LOSS OF DATA OR DOCUMENTATION, IN CONNECTION WITH THE USE OF THIS PRODUCT, EVEN IF HIKVISION HAS BEEN ADVISED OF THE POSSIBILITY OF SUCH DAMAGES.

REGARDING TO THE PRODUCT WITH INTERNET ACCESS, THE USE OF PRODUCT SHALL BE WHOLLY AT YOUR OWN RISKS. HIKVISION SHALL NOT TAKE ANY RESPONSIBILITIES FOR ABNORMAL OPERATION, PRIVACY LEAKAGE OR OTHER DAMAGES RESULTING FROM CYBER ATTACK, HACKER ATTACK, VIRUS INSPECTION, OR OTHER INTERNET SECURITY RISKS; HOWEVER, HIKVISION WILL PROVIDE TIMELY TECHNICAL SUPPORT IF REQUIRED.

SURVEILLANCE LAWS VARY BY JURISDICTION. PLEASE CHECK ALL RELEVANT LAWS IN YOUR JURISDICTION BEFORE USING THIS PRODUCT IN ORDER TO ENSURE THAT YOUR USE CONFORMS THE APPLICABLE LAW. HIKVISION SHALL NOT BE LIABLE IN THE EVENT THAT THIS PRODUCT IS USED WITH ILLEGITIMATE PURPOSES.

IN THE EVENT OF ANY CONFLICTS BETWEEN THIS MANUAL AND THE APPLICABLE LAW, THE LATER PREVAILS.

## Regulatory Information

### FCC Information

Please take attention that changes or modification not expressly approved by the party responsible for compliance could void the user's authority to operate the equipment.

**FCC compliance:** This equipment has been tested and found to comply with the limits for a Class A digital device, pursuant to part 15 of the FCC Rules. These limits are designed to provide reasonable protection against harmful interference when the equipment is operated in a commercial environment. This equipment generates, uses, and can radiate radio frequency energy and, if not installed and used in accordance with the instruction manual, may cause harmful interference to radio communications. Operation of this equipment in a residential area is likely to cause harmful interference in which case the user will be required to correct the interference at his own expense.

### FCC Conditions

This device complies with part 15 of the FCC Rules. Operation is subject to the following two conditions:

1. This device may not cause harmful interference.
2. This device must accept any interference received, including interference that may cause undesired operation.

### EU Conformity Statement



This product and - if applicable - the supplied accessories too are marked with "CE" and comply therefore with the applicable harmonized European standards listed under the EMC Directive 2014/30/EU, the LVD Directive 2014/35/EU, the RoHS Directive 2011/65/EU.



2012/19/EU (WEEE directive): Products marked with this symbol cannot be disposed of as unsorted municipal waste in the European Union. For proper recycling, return this product to your local supplier upon the purchase of equivalent new equipment, or dispose of it at designated collection points. For more information see: [www.recyclethis.info](http://www.recyclethis.info)






2006/66/EC (battery directive): This product contains a battery that cannot be disposed of as unsorted municipal waste in the European Union. See the product documentation for specific battery information. The battery is marked with this symbol, which may include lettering to indicate cadmium (Cd), lead (Pb), or mercury (Hg). For proper recycling, return the battery to your supplier or to a designated collection point. For more information see: [www.recyclethis.info](http://www.recyclethis.info)

### Industry Canada ICES-003 Compliance

This device meets the CAN ICES-3 (A)/NMB-3(A) standards requirements.

## Symbol Conventions

The symbols that may be found in this document are defined as follows.

Symbol	Description
 <b>NOTE</b>	Provides additional information to emphasize or supplement important points of the main text.
 <b>WARNING</b>	Indicates a potentially hazardous situation, which if not avoided, could result in equipment damage, data loss, performance degradation, or unexpected results.
 <b>DANGER</b>	Indicates a hazard with a high level of risk, which if not avoided, will result in death or serious injury.

## Safety Instructions

- Proper configuration of all passwords and other security settings is the responsibility of the installer and/or end-user.
- In the use of the product, you must be in strict compliance with the electrical safety regulations of the nation and region. Please refer to technical specifications for detailed information.
- Input voltage should meet both the SELV (Safety Extra Low Voltage) and the Limited Power Source according to the IEC60950-1 standard. Please refer to technical specifications for detailed information.
- Do not connect several devices to one power adapter as adapter overload may cause over-heating or a fire hazard.
- Please make sure that the plug is firmly connected to the power socket.
- If smoke, odor or noise rise from the device, turn off the power at once and unplug the power cable, and then please contact the service center.

## Preventive and Cautionary Tips

Before connecting and operating your device, please be advised of the following tips:

- Ensure unit is installed in a well-ventilated, dust-free environment.
- Unit is designed for indoor use only.
- Keep all liquids away from the device.
- Ensure environmental conditions meet factory specifications.
- Ensure unit is properly secured to a rack or shelf. Major shocks or jolts to the unit as a result of dropping it may cause damage to the sensitive electronics within the unit.

- Use the device in conjunction with an UPS if possible.
- Power down the unit before connecting and disconnecting accessories and peripherals.
- A factory recommended HDD should be used for this device.
- Improper use or replacement of the battery may result in hazard of explosion. Replace with the same or equivalent type only. Dispose of used batteries according to the instructions provided by the battery manufacturer.
- Ensure to use the attached power adaptor only and not to change the adaptor randomly.

## Content

Chapter 1 Introduction.....	7
1.1 Product Overview.....	7
1.2 Features and Functions.....	7
Chapter 2 Packing List.....	8
2.1 Package Check.....	8
2.2 Packing List.....	8
Chapter 3 Interfaces Description.....	9
3.1 Interface Name.....	9
3.2 Interface Description.....	9
3.3 Alarm Input and Output.....	10
3.4 Indicators.....	11
3.5 Power Switch.....	11
3.6 SIM Card (4G Card) Slot.....	11
Chapter 4 Installation and Startup.....	12
4.1 Installation.....	12
4.2 Startup.....	12
Chapter 5 Appendix A: Electrostatic Protection.....	13

# Chapter 1 Introduction

## 1.1 Product Overview

DS-TPE1XX Series Entrance & Exit Control Terminal (hereinafter referred to as control terminal), with Windows 10 legitimate operating system, is an embedded fanless control terminal with low consumption and high performance. It can be accessed to barrier gate, barrier gate radar, entrance and exit capture camera, etc. to store data. It can connect to central platform to manage devices and data. It supports monitor output, software installation, etc. with powerful function and multiple interfaces.

The control terminal is sealed dust-proof and anti-seismic with good heat dissipation. It can be applied in severe environment with serious pollution, dust, or electromagnetic interference.

The control terminal can be widely applied in scenes such as industrial manufacture, large-scale power station, smart city, etc. to realize integrated management.

## 1.2 Features and Functions

### Structure

- Fanless, enclosure with aluminum alloy profile, internal with aluminum metal plate for heat dissipation, compact and solid structure, and good heat dissipation effect
- Dual Gigabit NIC (network interface cards), supporting network fault tolerance, dual-network IP address configuration, dual-network isolation, etc.
- Standard full-duplex RS-232 serial port, connectable to devices with standard RS-232 interface
- Embedded 3.5 inch monitoring level hard disk, supporting pictures and video storage with large capacity
- 3.5 mm standard audio connector, convenient for access of audio devices with standard interfaces
- HDMI/VGA output interface, compatible with external display devices access

### Functions

- Windows 10 legitimate operating system
- Management software installable
- Wi-Fi
- 4G communication



### NOTE

The Wi-Fi and 4G functions depend on the specific model. It is subject to the actual device.

## Chapter 2 Packing List

### 2.1 Package Check

Check the product package and appearance are damaged or not first. Then open the package and check the equipped accessories are complete or not according to the packing list.

### 2.2 Packing List

Table 2-1 Packing List

No.	Name	Quantity
1	Complete Machine	1
2	Adapter	1
3	Power Cord	1
4	Antenna	1
5	Alarm Terminal	2
6	RS-485 Terminal	1
7	Quick Start Guide	1



#### NOTE

- Please in kind prevail.
- The antenna depends on the product model. The model supporting 4G is equipped with 4G antenna. The model supporting Wi-Fi is equipped with Wi-Fi antenna.



## Chapter 3 Interfaces Description

### 3.1 Interface Name

The control terminal supports multiple panel interfaces. Refer to the following figure for the interfaces.

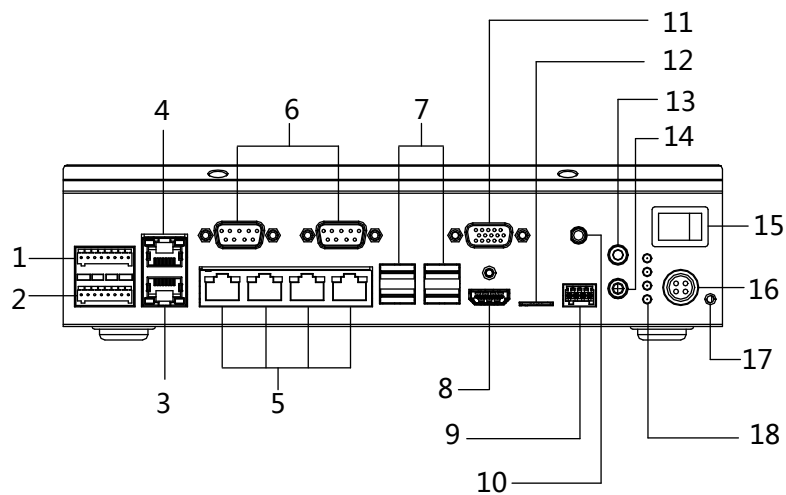


Figure 3-1 Panel Interfaces

### 3.2 Interface Description

Refer to the following table for the description of the interfaces.

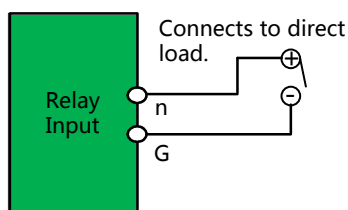
Table 3-1 Interface Description

No.	Name	Description
1	Alarm output	Refer to 3.3 Alarm Input and Output for details.
2	Alarm input	
3	G1	NIC 1, connecting to the network cable for interaction between upstream platform, such as servers, cloud platform, etc.
4	G2	NIC 2, connecting to the network cable for interaction between downstream devices, such as card reader, entrance and exit capture camera, etc.
5	G3 to G6	
6	RS-232 serial port	Connectable to serial port devices such as printer or scanner gun.

7	USB 3.0 interfaces	Connectable to USB flash drive for data backup.
8	HDMI interface	Connectable to HDMI display.
9	RS-485 serial port	n+ and n- are a pair, connecting to serial port devices such as bluetooth card reader.
10	Antenna access interface	Connectable to the antenna when using 4G or Wi-Fi to dial.
11	VGA interface	Connectable to VGA display.
12	SIM card slot	Refer to <i>3.6 SIM Card (4G Card) Slot</i> for details.
13	Audio out	3.5 mm audio output connector, connectable to loudspeaker.
14	Audio in	3.5 mm audio input connector, connectable to MIC.
15	Power switch	Refer to <i>3.5 Power Switch</i> for details.
16	Power input	Connects to 4-core 12 VDC power cord.
17	GND	Connects to ground wire.
18	Indicators	Refer to <i>3.4 Indicators</i> for details.

### 3.3 Alarm Input and Output

ALARM IN: n and G are a pair of alarm input, connectable to relay alarm.



Alarm DC Power Supply Wiring

Figure 3-2 Alarm Input Wiring

**NOTE**

- Alarm input only supports DC load access.
- Refer to the specifications for the voltage range of the alarm input and output.

ALARM OUT: C<sub>n</sub> and N<sub>n</sub> are a pair of alarm output, connectable to relay alarm. When the accessed alarm voltage exceeds the alarm output range, connect the relay to protect the alarm output interface.

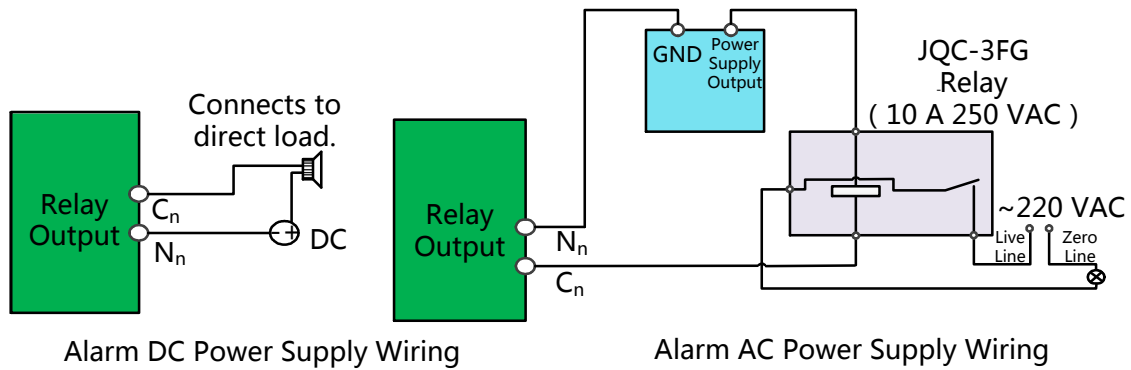


Figure 3-3 Alarm Output Wiring

### 3.4 Indicators

The indicators indicate system, hard disk, alarm, and power supply status from top to bottom.

- The system indicator lights on if the system is running normally.
- The hard disk indicator is solid on if the hard disk is accessed. The hard disk indicator flashes if the hard disk is reading or writing data.
- The alarm indicator flashes if there is alarm input or output signal.
- The power supply indicator lights on if the device is powered on normally.

### 3.5 Power Switch

- Short-press it to start up or shut down the device.
- Long-press it for 4 s above to force shut down the device.
- Long-press it for 10 s above to clear CMOS cache.

### 3.6 SIM Card (4G Card) Slot

Insert the SIM card slowly along the slot indicated direction until it is inserted successfully.

Go to **Control Panel > Network Sharing Center** to dial in order to connect to the remote network.

## Chapter 4 Installation and Startup

### 4.1 Installation

Step 1 (Optional) Connect the packaged antenna to the antenna access interface if you want to connect Wi-Fi or dial.



**NOTE**

Select the model supporting Wi-Fi or SIM card (4G card) dialing.

Step 2 Locate the control terminal in a horizontal and stable place with approximate space.

Step 3 Connect the other devices to the interfaces of the control terminal according to your needs. Refer to *3.2 Interface Description* for details.

### 4.2 Startup

Step 1 Connect power cord to the control terminal.

Step 2 Short-press the power switch to start up the control terminal.

Step 3 Install the needed management software to the control terminal and configure it. Refer to the software user manual for details.

## Chapter 5 Appendix A: Electrostatic Protection

In the process of uninstallation, installation, components renewal, etc. of the control terminal, put the device on the electrostatic discharge desk to avoid the static electricity from damaging the device.



### **WARNING**

For the unprofessional maintenance personnel, do not open or seal the chassis, or change the components.

---

If there is no electrostatic discharge desk at site, operate the electrostatic protection according to the following methods.

- Wear an anti-static wrist strap and connect it with the metal part of the device.
- Touch the metallic shell of the chassis first before touching the device parts.
- Keep your body to touch the metallic shell of the chassis to discharge the static electricity when plugging or unplugging the components.
- Avoid unnecessary movement.
- Only hold the edge when holding components (especially the board card).
- Put the components on a grounded operation desk without static electricity. If possible, use a piece of conductive foam pad (the material of the pad is not the same with that of the components' packages).
- Do not make the components slide on the operation desk.

