

DS-2DY5223IW-AE 2MP 23X Ultra-low illumination IR Positioning System Lite

DARKFIGHTER



Hikvision darkfighter series DS-2DY5223IW-AE Network IR Positioning System Lite is able to capture high quality images in dim light environment. Embedded with 1/1.9" progressive scan CMOS chip makes true WDR and 2MP real-time resolution possible. With the 23X optical zoom Day/Night lens, the positioning system offers more details over expansive areas.

Hikvision darkfighter series DS-2DY5223IW-AE Network IR Positioning System Lite also features Smart Defog and EIS (Electronic Image Stabilization), which can further supported to improve image quality in challenging conditions.

Key Features

- 2MP, 1920 x 1080
- 23X optical zoom, 16X digital zoom
- Ultra-low illumination (0.002Lux/F1.5(color), 0.0002Lux/F1.5(black), 0 Lux with IR)
- Low bit rate, true WDR, Defog, Smart IR
- 3D intelligent positioning
- Power-off memory, proportional zoom
- Analog/Network dual output
- Support Wiper
- Up to 150m IR distance
- Support Hi-PoE



DS-2DY5223IW-AE

2MP 23X Ultra-low illumination IR Positioning System Lite



DARKFIGHTER

Function Description

Basic function:

- High performance CMOS, up to 1920x1080 resolution
- $\pm 0.1^\circ$ Preset Accuracy
- ONVIF (Profile S, Profile G, Profile T), ISAPI, SDK
- 3D intelligent positioning function
- 3D DNR
- IP66 standard
- 7 alarm inputs and 2 alarm outputs
- Support Hi-PoE

Smart function:

- Smart image processing: support defog, HLC/BLC
- Smart codec: low bit rate, ROI
- Smart detection: support Face detection, Intrusion detection, Line crossing detection, Audio exception detection, Region entrance detection, Region exiting detection

Camera function:

- Auto iris, auto focus, auto white balance, backlight compensation and auto day & night switch
- Min. Illumination: Color: 0.002Lux @ (F1.5, AGC ON), B/W: 0.0002Lux @ (F1.5, AGC ON)
- Support 24 privacy masks

PTZ function:

- 360° endless pan range and $-90^\circ \sim 90^\circ$ tilt range
- $0.1^\circ \sim 200^\circ /s$ Manual Pan Speed and $0.1^\circ \sim 50^\circ /s$ Manual Tilt Speed
- 300 presets programmable; preset image freezing capability
- 8 patrols, up to 32 presets per patrol
- 4 patterns, with the recording time not less than 10 minutes per pattern
- Proportional zoom function
- Park action: auto call up of PTZ movement, after a defined time of inactivity
- Power-off memory: restore PTZ & Lens status after reboot

Network function:

- H.264/MJPEG video compression

- H.264 encoding with Baseline/Main/High profile
- ROI(Region of Interest) encoding(support 12 areas with adjustable levels)
- Built-in Web server
- Onboard storage, up to 256 GB
- Support up to 8 NAS storage; Edge recording(transmit the videos from SD card to the NAS after network resumed)
- HTTPS encryption and IEEE 802.1X port-based network access control
- Support trip-streams
- Multiple network protocols supported: IPv4/IPv6, HTTP, HTTPS, 802.1X, QoS, FTP, SMTP, UPnP, SNMP, DNS, DDNS, NTP, RTSP, RTP, TCP, UDP, IGMP, ICMP, DHCP, PPPoE
- 1 audio input and 1 audio output

DORI

The DORI (detect, observe, recognize, identify) distance gives the general idea of the camera ability to distinguish persons or objects within its field of view.

It is calculated based on the camera sensor specification and the criteria given by EN 62676-4: 2015.

DORI	Detect	Observe	Recognize	Identify
Definition	25 px/m	63 px/m	125 px/m	250 px/m
Distance (Tele)	1434.7 m (4706.9 ft)	569.3 m (21867.8 ft)	286.9 m (941.4 ft)	143.5 m (470.7 ft)

DS-2DY5223IW-AE

2MP 23X Ultra-low illumination

IR Positioning System Lite



DARKFIGHTER

Model	DS-2DY5223IW-AE
Camera Module	
Image Sensor	1/1.9" Progressive Scan CMOS
Max. Image Resolution	1920 X 1080
Min. Illumination	Color: 0.002Lux @ (F1.5, AGC ON) B/W: 0.0002Lux @(F1.5, AGC ON)
Day & Night	ICR
Focus Mode	Auto / Semiautomatic / Manual
Shutter Time	1/1-1/10,000s
S / N Ratio	>52dB
Digital Zoom	16X
White Balance	Auto / Manual /ATW/Indoor/Outdoor/Daylight lamp/Sodium lamp
AGC	Auto / Manual
Lens	
Focal Length	5.9-135.7mm, 23X
Angle of View	59.8° -3.0° (Wide-Tele)
Min. Working Distance	10-1500mm(Wide-Tele)
Aperture Range	F1.5-F3.4
Image	
Main Stream	50Hz:25fps(1920×1080), 25fps(1280×720) 60Hz:30fps(1920×1080), 30fps(1280×720)
Sub Stream	50Hz:25fps(704×576), 25fps(352×288), 25fps(176×144) 60Hz:30fps(704×480), 30fps(352×240), 30fps(176×120)
Image Compression	H.265+/H.265/H.264+/H.264/MJPEG
Audio Compression	G.711ulaw/G.711alaw/G.726/MP2L2/G.722/PCM
SVC	Support
Protocols	IPv4/IPv6,HTTP,HTTPS,802.1x,Qos,FTP,SMTP,UPnP,SNMP,DNS,DDNS,NTP,RTSP,RTP,UDP,IGMP,ICMP,DHCP,PPPoE
API	ONVIF (Profile S, Profile G, Profile T), ISAPI, SDK
Others	Defog, EIS, Privacy Mask, 3D DNR, BLC, true WDR
Smart Features	
Smart detection	Face detection, Intrusion detection, Line crossing detection, Audio exception detection, Region entrance detection, Region exiting detection
ROI encoding	Support 12 areas with adjustable levels
Infrared	
IR Distance	Up to 150m
IR Intensity	Automatically adjusted, depending on the zoom ratio
Pan and Tilt	
Movement Range	Pan: 360° endless, Tilt: +90° ~-90°
Movement Speed	Pan: 0.1° -200° /s, Tilt: 0.1° -50° /s
Number of Preset	300
Patrol	8 patrols, up to 32 presets per patrol
Pattern	4 patterns, with the recording time not less than 10 minutes per pattern
Park	Support

DS-2DY5223IW-AE

2MP 23X Ultra-low illumination IR Positioning System Lite



DARKFIGHTER

Proportional Zoom	Support
PTZ Position Display	On / Off
Simultaneous Live View	Up to 20 users
System Integration	
Menu	English
3D Positioning	Support
Preset Freezing	Support
Scheduled Task	Support
Alarm I/O	7 alarm inputs, 2 alarm outputs
Ethernet	1 RJ45 10M/100M Ethernet interface
CVBS Output	1.0V[p-p] / 75Ω, NTSC (or PAL) composite, BNC
RS485	Half duplex, HIKVISION, Pelco-P, Pelco-D, self-AI2daptive
Network Storage	Built-in memory card slot, support Micro SD/SDHC/SDXC, up to 256 GB; NAS (NFS, SMB/ CIFS), ANR
Number of Simultaneous Live View	Up to 20
User/Host Level	Up to 32 users,3 Levels: Administrator, Operator and User
Web Browser	IE 8 to 11, Chrome 31.0+, Firefox 30.0+, Edge 16.16299+
General	
Language (Web Browser Access)	32 languages. English, Russian, Estonian, Bulgarian, Hungarian, Greek, German, Italian, Czech, Slovak, French, Polish, Dutch, Portuguese, Spanish, Romanian, Danish, Swedish, Norwegian, Finnish, Croatian, Slovenian, Serbian, Turkish, Korean, Traditional Chinese, Thai, Vietnamese, Japanese, Latvian, Lithuanian, Portuguese (Brazil)
Power	Hi-PoE & 24 VAC, Max. 45W, including max. 17 W for IR and max. 6 W for heater.
Working Temperature/Humidity	-40° C ~ 65° C, humidity 95% or less
Protection Level	IP66 standard, TVS 6,000V lightning protection, surge protection and voltage transient protection
Dimensions(mm)	306×167×212
Weight(approx.)	7.8kg

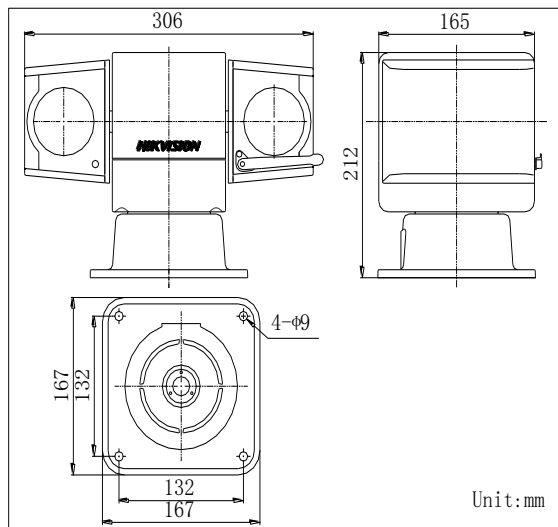
*You are recommended to purchase memory card together with the product if needed. After ordering, the memory card will be installed to product during manufacturing.

DS-2DY5223IW-AE 2MP 23X Ultra-low illumination IR Positioning System Lite



DARKFIGHTER

Dimensions



Accessory

Optional



TEAC-66-243000V (EU)
MKAC-66-243000U (USA)
TEAC-66-243000VB (UK)
Power Adapter