

DS-2CD50C5G0-(AP) 12 MP Box Network Camera



- 1/1.7" Progressive Scan CMOS
- Color: 0.008 Lux @ (F1.2, AGC ON)
- 4000 × 3000 @ 20fps
- MJPEG up to 1920 × 1080 @ 30fps
- Auto-iris, DC drive and P-iris optional
- Auto back focus (ABF) optional
- H.265, H.265+, H.264, H.264+
- Digital WDR
- Alarm 2 inputs/2 outputs, audio 1 input/1 output, 1 RS-485 interface (half duplex, HIKVISION, Pelco-P, Pelco-D)
- 5 streams and up to 5 custom streams
- 6 behavior analyses, 3 exception detection, and face detection
- Built-in microSD/SDHC/SDXC card slot, up to 256 GB
- Metadata of intrusion detection, line crossing detection, region entrance detection, region exiting detection, unattended baggage detection, and object removal are supported.



Function

Smooth Streaming

Smooth streaming offers solutions to improve the video quality in different network conditions. For example, in poor network conditions, adapting to the detected real-time network condition, streaming bit rate and resolution are automatically adjusted to avoid mosaic and lower latency in live view; in multiplayer network conditions, the camera transmits the redundant data for the self-error correcting in back-end device, so that to solve the mosaic problem because of the packet loss and error rate.

Metadata

Metadata uses individual instances of application data or the data content. Metadata can be used for third-party application development.

Power Protection

The camera supports a wide voltage range of 10 VDC to 48 VDC. If the voltage instability occurs, the camera still works properly. The camera supports reverse polarity protection which can avoid the camera malfunction caused by false operation.

Specifications

| Camera | |
|-----------------------------|---|
| Image Sensor | 1/1.7" Progressive Scan CMOS |
| Min. Illumination | Color: 0.008 Lux @ (F1.2, AGC ON); B/W: 0.0008 Lux @ (F1.2, AGC ON) |
| Shutter Speed | 1 s to 1/100,000 s |
| Slow Shutter | Yes |
| Day & Night | IR cut filter |
| WDR | Digital WDR |
| Lens | |
| Auto-Iris | DC drive. -P: P-iris supported |
| Lens Mount | CS mount |
| Video | |
| Max. Resolution | 4000 × 3000 |
| Video Stream | 5 defined streams and up to 5 custom stream |
| Main Stream | 50Hz: 20fps (4000 × 3000), 25fps (4096 × 2160, 3840 × 2160, 3072 × 1728, 2560 × 1440, 1920 × 1080, 1280 × 720) 60Hz: 20fps(4000 × 3000), 30fps (4096 × 2160, 3840 × 2160, 3072 × 1728, 2560 × 1440, 1920 × 1080, 1280 × 720) |
| Sub Stream | 50Hz: 25fps (704 × 576, 640 × 480) 60Hz: 30fps (704 × 480, 640 × 480) |
| Third Stream | 50Hz: 25fps (1920 × 1080, 1280 × 720, 704 × 576, 640 × 480) 60Hz: 30fps (1920 × 1080, 1280 × 720, 704 × 480, 640 × 480) |
| Fourth Stream | 50Hz: 25fps (1920 × 1080, 1280 × 720, 704 × 576, 640 × 480) 60Hz: 30fps (1920 × 1080, 1280 × 720, 704 × 480, 640 × 480) |
| Fifth Stream | 50Hz: 25fps (704 × 576, 640 × 480) 60Hz: 30fps (704 × 480, 640 × 480) |
| Custom Stream | 50Hz: 25fps (1920 × 1080, 1280 × 720, 704 × 576, 640 × 480) 60Hz: 30fps (1920 × 1080, 1280 × 720, 704 × 480, 640 × 480) |
| Video Compression | Main stream: H.265+/H.265/H.264+/H.264 Sub stream/third stream/fourth stream/fifth stream/custom stream: H.265/H.264/MJPEG |
| H.264 Type | Baseline Profile/Main Profile/High Profile |
| H.264+ | Main stream support |
| H.265 Type | Main Profile |
| H.265+ | Main stream support |
| Video Bit Rate | 32 Kbps to 16 Mbps |
| Scalable Video Coding (SVC) | H.264 and H.265 encoding |
| Audio | |
| Audio Compression | G.711/G.722.1/G.726/MP2L2/PCM/MP3 |
| Audio Bit Rate | 64Kbps(G.711)/16Kbps(G.722.1)/16Kbps(G.726)/32-192Kbps(MP2L2)/32Kbps(PCM)/8-320Kbps(MP3) |

| | |
|-----------------------------|--|
| Environment Noise Filtering | Yes |
| Audio Sampling Rate | 8 kHz/16 kHz/32 kHz/44.1 kHz/48 kHz |
| Smart Feature-Set | |
| Smart Event | Line crossing detection, up to 4 lines configurable Intrusion detection, up to 4 regions configurable Region entrance detection, up to 4 regions configurable Region exiting detection, up to 4 regions configurable Unattended baggage detection, up to 4 regions configurable Object removal detection, up to 4 regions configurable Face detection: detects faces and upload images Scene change detection, audio exception detection, defocus detection |
| Basic Event | Motion detection, video tampering alarm, exception (network disconnected, IP address conflict, illegal login, HDD full, HDD error) |
| Statistics | Counting |
| Linkage Method | Trigger recording: memory card, network storage, pre-record and post-record Trigger captured pictures uploading: FTP, SFTP, HTTP, NAS, Email Trigger notification: HTTP, ISAPI, alarm output, Email |
| Region of Interest | Main stream/sub stream/third stream/fourth stream/fifth stream: 4 fixed regions and dynamic face tracking for each stream |
| Image | |
| Image Enhancement | BLC, HLC, 3D DNR, Defog, EIS |
| Image Setting | Rotate mode, saturation, brightness, contrast, sharpness, AGC, and white balance are adjustable by client software or web browser |
| Target Cropping | Yes |
| Day/Night Switch | Day/Night/Auto/Schedule/Triggered by Alarm In |
| Picture Overlay | LOGO picture can be overlaid on video with 128 × 128 24 bit bmp format |
| SNR | ≥52dB |
| Network | |
| Network Storage | microSD/SDHC/SDXC card (256 GB), local storage and NAS (NFS,SMB/CIFS), ANR Together with high-end Hikvision memory card, memory card encryption and health detection are supported. |
| Protocols | TCP/IP, ICMP, HTTP, HTTPS, FTP, SFTP, DHCP, DNS, DDNS, RTP, RTSP, RTCP, PPPoE, NTP, UPnP, SMTP, SNMP, IGMP, 802.1X, QoS, IPv6, UDP, Bonjour, SSL/TLS |
| API | ONVIF (PROFILE S, PROFILE G, PROFILE T), ISAPI, SDK, Ehome |
| Smooth Streaming | Yes |
| Security | Password protection, complicated password, HTTPS encryption, 802.1X authentication (EAP-TLS, EAP-LEAP, EAP-MD5), watermark, IP address filter, basic and digest authentication for HTTP/HTTPS, WSSE and digest authentication for ONVIF, RTP/RTSP over HTTPS, control timeout settings, security audit log, TLS 1.2, TLS1.0, TLS1.1 |
| Simultaneous Live View | Up to 20 channels |
| User/Host | Up to 32 users. 3 user levels: administrator, operator and user |
| Client | iVMS-4200, Hik-Connect, Hik-Central |

| | |
|----------------------------------|---|
| Web Browser | <p>Plug-in required live view: IE8+</p> <p>Plug-in free live view: Chrome 57.0+, Firefox 52.0+, Safari 11+</p> <p>Local service: Chrome57.0+, Firefox52.0+</p> |
| Interface | |
| Audio | 1 input (line in), 1 output (line out), 2-core terminal block, mono sound |
| Communication Interface | <p>1 RJ45 10M/100M/1000M Ethernet port</p> <p>1 RS-485 interface (half duplex, HIKVISION, Pelco-P, Pelco-D, self-adaptive)</p> |
| Alarm | 2 inputs, 2 outputs (max. 24 VDC/VAC, 1A max.) |
| Video Out | 1Vp-p composite output (75 Ω/CVBS), only for adjustment |
| Power Output | 12 VDC, max. 200 mA |
| Interface Style | Connector panel |
| On-board Storage | Built-in microSD/SDHC/SDXC slot, up to 256 GB |
| General | |
| Firmware Version | V5.6.0 |
| Web Client Language | <p>32 languages</p> <p>English, Russian, Estonian, Bulgarian, Hungarian, Greek, German, Italian, Czech, Slovak, French, Polish, Dutch, Portuguese, Spanish, Romanian, Danish, Swedish, Norwegian, Finnish, Croatian, Slovenian, Serbian, Turkish, Korean, Traditional Chinese, Thai, Vietnamese, Japanese, Latvian, Lithuanian, Portuguese (Brazil)</p> |
| General Function | Anti-flicker, 5 streams and up to 5 custom streams, heartbeat, mirror, privacy masks, flash log, password reset via e-mail, pixel counter, HTTP listening |
| Reset | Reset via reset button on camera body, web browser and client software |
| Startup and Operating Conditions | -30 °C to 60 °C (-22 °F to 140 °F), humidity 95% or less (non-condensing) |
| Storage Conditions | -30 °C to 60 °C (-22 °F to 140 °F), humidity 95% or less (non-condensing) |
| Power Supply | 12 VDC is recommended, 10 to 48 VDC; 24 VAC (-25%, + 24.9%); two-core terminal block; PoE (802.3af, class 3); Reverse polarity protection |
| Power Consumption and Current | <p>With extra load: 12 VDC, 0.8 A, max. 10 W; 24 VAC, 0.7 A, max. 10 W; PoE (802.3af, 36 V to 57 V), 0.1 A to 0.3 A, max. 10 W, class 3</p> <p>Without extra load: 12 VDC, 0.65 A, max. 7.6 W; 24 VAC, 0.55 A, max. 7.6 W; PoE (802.3af, 36 V to 57 V), 0.1 A to 0.3 A, max. 7.6 W, class 3</p> |
| Material | Metal |
| Sustainability | PVC FREE |
| Dimensions | <p>Camera: 142.6 × 69.8 × 68 mm (5.61" × 2.75" × 2.68")</p> <p>Package: 315 × 140 × 140 mm (12.4" × 5.51" × 5.51")</p> |
| Weight | <p>-AP: approx. 730 g (1.61 lb.), 1020 g (2.25 lb.) with package</p> <p>Non-AP: approx. 690 g (1.52 lb.), 975 g (2.15 lb.) with package</p> |
| Approval | |
| EMC | 47 CFR Part 15, Subpart B; EN 55032: 2015, EN 61000-3-2: 2014, EN 61000-3-3: 2013, EN 50130-4: 2011 +A1: 2014; AS/NZS CISPR 32: 2015; ICES-003: Issue 6, 2016; KN 32: 2015, KN 35: 2015 |
| Safety | UL 60950-1, IEC 60950-1:2005 + Am 1:2009 + Am 2:2013, EN 60950-1:2005 + Am 1:2009 + Am 2:2013, IS 13252(Part 1):2010+A1:2013+A2:2015 |

Chemistry

2011/65/EU, 2012/19/EU, Regulation (EC) No 1907/2006

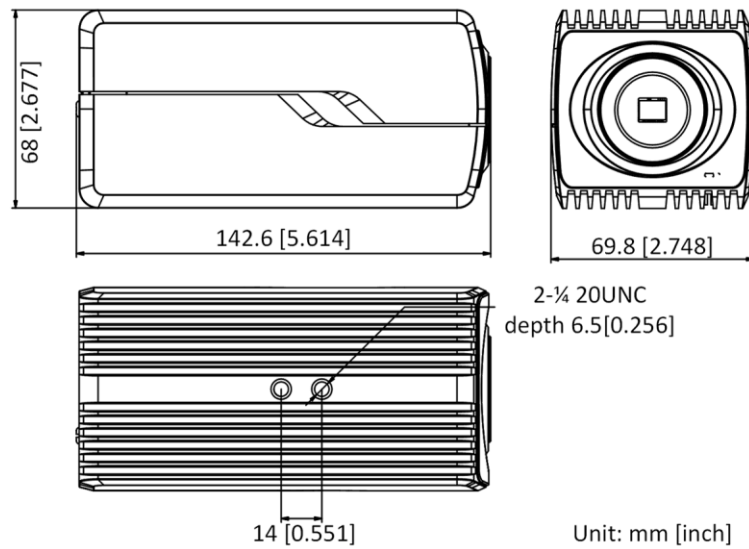
* Listed resolutions are only selectable options. It does not mean that all streams can work at their maximum resolution at the same time.

Available Model

DS-2CD50C5G0, DS-2CD50C5G0-AP

* -AP: Auto back focus and P-iris are supported.

Dimension



Accessory



DS-1332HZ
Indoor Housing



DS-1292ZJ
Wall Mount



DS-1299ZJ
Pendant Mount



DS-1331HZ Series
Outdoor Housing



DS-1293ZJ
Wall Mount



DS-1214ZJ
Horizontal Pole Mount



DS-1269ZJ
Pendant Mount



DS-1233ZJ
Column Mount



DS-1331HZ-B
Outdoor Housing +
DS-2202ZJ Integrated
Mount



HV1140D-8MPIR
11 to 40 mm DC Iris



HV1140P-8MPIR
11 to 40 mm P-Iris



HV1050D-12MPIR
10 to 50 mm DC Iris

Distributed by

**HIKVISION®****Headquarters**

No.555 Qianmo Road, Binjiang District,
Hangzhou 310051, China
T +86-571-8807-5998
overseasbusiness@hikvision.com

Hikvision USA
T +1-909-895-0400
sales.usa@hikvision.com

Hikvision Australia
T +61-2-8599-4233
salesau@hikvision.com

Hikvision India
T +91-22-28469900
sales@pramahikvision.com

Hikvision Canada
T +1-866-200-6690
sales.canada@hikvision.com

Hikvision Thailand
T +662-275-9949
sales.thailand@hikvision.com

Hikvision Europe
T +31-23-5542770
sales.eu@hikvision.com

Hikvision Italy
T +39-0438-6902
info.it@hikvision.com

Hikvision Brazil
T +55 11 3318-0050
Latam.support@hikvision.com

Hikvision Turkey
T +90 (216)521 7070- 7074
sales.tr@hikvision.com

Hikvision Malaysia
T +601-7652-2413
sales.my@hikvision.com

Hikvision UK & Ireland
T +01628-902140
sales.uk@hikvision.com

Hikvision South Africa
Tel: +27 (10) 0351172
sale.africa@hikvision.com

Hikvision France
T +33(0)1-85-330-450
info.fr@hikvision.com

Hikvision Kazakhstan
T +7-727-9730667
nikia.panfilov@hikvision.ru

Hikvision Vietnam
T +84-974270888
sales.vt@hikvision.com

Hikvision UAE
T +971-4-4432090
salesme@hikvision.com

Hikvision Singapore
T +65-6684-4718
sg@hikvision.com

Hikvision Spain
T +34-91-737-16-55
info.es@hikvision.com

Hikvision Tashkent
T +99-87-1238-9438
uzb@hikvision.ru

Hikvision Hong Kong
T +852-2151-1761
info.hk@hikvision.com

Hikvision Russia
T +7-495-669-67-99
saleru@hikvision.com

Hikvision Korea
T +82-(0)31-731-8817
sales.korea@hikvision.com

Hikvision Poland
T +48-22-460-01-50
info.pl@hikvision.com

Hikvision Indonesia
T +62-21-2933759
Sales.Indonesia@hikvision.com

Hikvision Colombia
sales.colombia@hikvision.com