

## DS-2CD3685G0-IZS 8 MP IR Varifocal Bullet Network Camera



### Key Features

- 1/1.8" Progressive Scan CMOS
- 3840 × 2160 @20fps
- H.265, H.265+
- 120dB WDR
- IP67, IK10
- IR range: Up to 60 m
- Junction box included in the package
- BLC/3D DNR/ROI
- Smart encoding: Support low bit rate, low latency
- 4 behavior analyses and face detection
- Color: 0.008 Lux @ (F1.2, AGC ON), 0.011 Lux @ (F1.4, AGC ON)
- Powered by DarkFighter



## Specifications

| <b>Camera</b>               |   |
|-----------------------------|---|
| Image Sensor                | 1/1.8" Progressive Scan CMOS  |
| Min. Illumination           | Color: 0.008 Lux @ (F1.2, AGC ON), 0.011 Lux @ (F1.4, AGC ON)   |
| Shutter Speed               | 1/3 s to 1/100,000 s  |
| Slow Shutter                | Yes   |
| Day & Night                 | IR Cut Filter   |
| Digital Noise Reduction     | 3D DNR  |
| WDR                         | 120dB   |
| 3-Axis Adjustment           | Pan: 0° to 360°, tilt: 0° to 90°, rotate: 0° to 360°  |
| <b>Lens</b>                 |   |
| Focal length                | 2.7 to 13.5 mm  |
| Aperture                    | F1.4  |
| Focus                       | Auto  |
| Auto-Iris                   | DC drive  |
| FOV                         | Horizontal field of view: 114° to 44°<br>Vertical field of view: 61° to 25°<br>Diagonal field of view: 136° to 50°  |
| Lens Mount                  | Φ14   |
| <b>IR</b>                   |   |
| IR Range                    | Up to 60 m  |
| Wavelength                  | 850nm   |
| <b>Compression Standard</b> |   |
| Video Compression           | Main stream: H.265/H.264<br>Sub-stream: H.265/H.264/MJPEG<br>Third stream: H.265/H.264/MJPEG  |
| H.264 Type                  | Main Profile/High Profile   |
| H.264+                      | Main stream supports  |
| H.265 Type                  | Main Profile  |
| H.265+                      | Main stream supports  |
| Video Bit Rate              | 32 Kbps to 16 Mbps  |
| <b>Smart Feature-set</b>    |   |
| Smart Event                 | Line crossing detection, up to 1 line configurable<br>Intrusion detection, up to 1 region configurable<br>Unattended baggage detection, up to 1 region configurable<br>Object removal detection, up to 1 region configurable<br>Face detection: detects faces<br>Scene change detection |
| Basic Event                 | Motion detection, video tampering alarm, exception (network disconnected, IP address conflict, illegal login, HDD full, HDD error)  |
| Face Detection              | Yes   |
| Linkage Method              | Trigger recording: memory card, network storage, pre-record and post-record<br>Trigger captured pictures uploading: FTP, HTTP, NAS, Email<br>Trigger notification: HTTP, ISAPI, alarm output, Email   |
| Region of Interest          | 5 fixed region for main stream and sub-stream   |
| <b>Image</b>                |   |

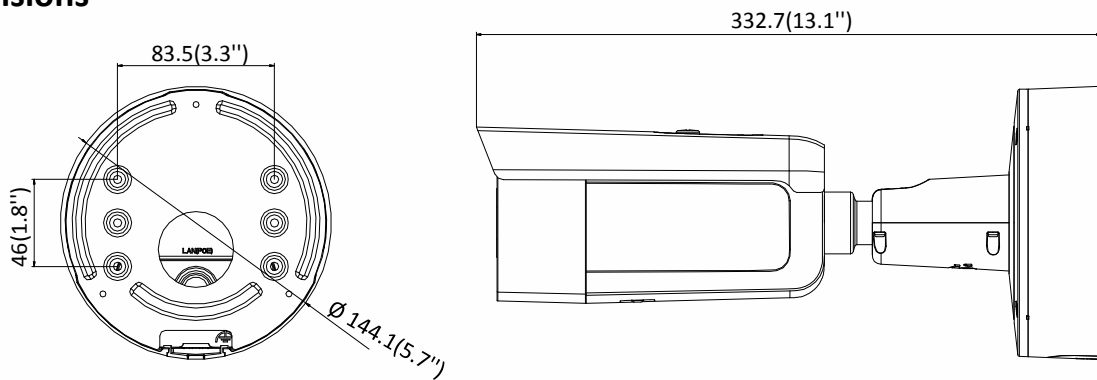
|  |  |
|--|--|
| Max. Resolution  | 3840 × 2160  |
| Main Stream  | 50Hz: 20 fps (3840 × 2160), 25 fps (3072 × 1728, 2560 × 1440, 1920 × 1080, 1280 × 720)<br>60Hz: 20 fps (3840 × 2160), 30 fps (3072 × 1728, 2560 × 1440, 1920 × 1080, 1280 × 720)   |
| Sub Stream   | 50Hz: 25fps (640 × 480, 640 × 360, 320 × 240)<br>60Hz: 30fps (640 × 480, 640 × 360, 320 × 240)   |
| Third Stream   | 50Hz: 25fps (1280 × 720, 640 × 360, 352 × 288)<br>60Hz: 30fps (1280 × 720, 640 × 360, 352 × 240)   |
| Image Enhancement  | BLC/3D DNR/HLC   |
| Image Setting  | Rotate mode , saturation, brightness, contrast, sharpness, AGC, and white balance are adjustable by client software or web browser   |
| Target Cropping  | Yes  |
| Day/Night Switch   | Day/Night/Auto/Schedule/Triggered by Alarm In  |
| *Note: When the main stream resolution is 3840 × 2160, max frame rate is 20 fps for all streams. |  |
| <b>Network</b>   |  |
| Network Storage  | Support Micro SD/SDHC/SDXC card (128G), local storage and NAS (NFS,SMB/CIFS), ANR  |
| Protocols  | TCP/IP, UDP, ICMP, HTTP, HTTPS, FTP, DHCP, DNS, DDNS, RTP, RTSP, RTCP, PPPoE, NTP, UPnP, SMTP, SNMP, IGMP, 802.1X, QoS, IPv6, UDP, Bonjour, SSL/TLS  |
| General Function   | Anti-flicker, three streams , heartbeat, mirror, privacy masks, password reset via e-mail, pixel counter, HTTP listening   |
| API  | ONVIF (PROFILE S, PROFILE G, PROFILE T), ISAPI, SDK, Ehome   |
| Security   | Password protection, complicated password, HTTPS encryption, 802.1X authentication (EAP-TLS 1.2, EAP-LEAP, EAP-MD5), watermark, IP address filter, basic and digest authentication for HTTP/HTTPS, WSSE and digest authentication for ONVIF, TLS1.2  |
| Simultaneous Live View   | Up to 6 channels   |
| User/Host  | Up to 32 users, 3 levels: administrator, operator and user   |
| Client   | iVMS-4200, Hik-Connect, Hik-Central  |
| Web Browser  | Plug-in required live view: IE8+<br>Plug-in free live view: Chr2ome 57.0+, Firefox 52.0+, Safari 11+<br>Local Service: Chrome 41.0+, Firefox 30.0+   |
| <b>Interface</b>   |  |
| Audio  | 1 input (line in, 3.5 mm), 1 output (3.5 mm), mono sound   |
| Communication Interface  | 1 RJ45 10M/100M self-adaptive Ethernet port  |
| Alarm  | 1 input, 1 output (max. 12 VDC, 30 mA)   |
| Video Output   | 1Vp-p composite output (75 Ω/BNC) (For adjustment only)  |
| On-board storage   | Built-in micro SD/SDHC/SDXC slot, up to 128 GB   |
| Reset Button   | Yes  |
| <b>Audio</b>   |  |
| Environment Noise Filtering  | Yes  |
| Audio Sampling Rate  | 8 kHz/16 kHz/32 kHz/44.1 kHz/48 kHz  |
| Audio Compression  | G.711/G.722.1/G.726/MP2L2/PCM/MP3  |
| Audio Bit Rate   | 64Kbps(G.711)/16Kbps(G.722.1)/16Kbps(G.726)/32-192Kbps(MP2L2)/8Kbps-320Kbps(MP3)   |
| <b>General</b>   |  |
| Operating Conditions   | -30 °C to +60 °C (-22 °F to +140 °F), humidity 95% or less (non-condensing)  |
| Web Client Language  | 32 languages<br>English, Russian, Estonian, Bulgarian, Hungarian, Greek, German, Italian, Czech, Slovak, French, Polish, Dutch, Portuguese, Spanish, Romanian, Danish, Swedish, Norwegian, Finnish, Croatian, Slovenian, Serbian, Turkish, Korean, Traditional Chinese, Thai, Vietnamese, Japanese, Latvian, Lithuanian, Portuguese (Brazil) |
| Power Supply   | 12 VDC ± 25%   |

|                               |  |
|-------------------------------|--|
|                               | PoE (802.3at, class 4)   |
| Power Consumption and Current | 12 VDC, 1.2A, max. 14.5W<br>PoE: (802.3at, 42.5V to 57V), 0.5A to 0.3A, max. 18W |
| Protection Level              | IP67, IK10   |
| Accessory                     | The junction box is included in the package                                      |
| Material                      | Front cover: metal, back cover: metal  |
| Dimensions                    | Camera: $\Phi 144 \times 332.7$ mm ( $\Phi 5.7" \times 13.1"$ )                  |
| Weight                        | Camera: 1400 g (3.1 lb.)<br>With package: 2500 g (5.5 lb.)                       |

**Available Model:**

DS-2CD3685G0-IZS (2.7 to 13.5 mm)

**Dimensions**



Unit: mm(inch)

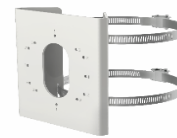
**Accessories**



**DS-1475ZJ-SUS**  
Vertical Pole Mount



**DS-1476ZJ-SUS**  
Corner Mount



**DS-1275ZJ-S-SUS**  
Vertical Pole Mount

Distributed by



**HIKVISION®**

**Headquarters**

No.555 Qianmo Road, Binjiang District,  
Hangzhou 310051, China  
T +86-571-8807-5998  
overseasbusiness@hikvision.com

**Hikvision USA**  
T +1-909-895-0400  
sales.usa@hikvision.com

**Hikvision Italy**  
T +39-0438-6902  
info.it@hikvision.com

**Hikvision Singapore**  
T +65-6684-4718  
sg@hikvision.com

**Hikvision Africa**  
T +27 (0) 0351172  
sale.africa@hikvision.com

**Hikvision Europe**  
T +31-23-55-42-770  
info.eu@hikvision.com

**Hikvision France**  
T +33(0)1-85-330-450  
info.fr@hikvision.com

**Hikvision Oceania**  
T +61-2-8599-4233  
salesau@hikvision.com

**Hikvision Hong Kong**  
T +852-2151-1761

**Hikvision Middle East**  
T +971-4-8816086  
salesme@hikvision.com

**Hikvision Spain**  
T +34-91-737-16-55  
info.es@hikvision.com

**Hikvision Canada**  
T +1-909-895-0400  
sales.usa@hikvision.com

**Hikvision Russia**  
T +7-495-669-67-99  
saleru@hikvision.com

**Hikvision Poland**  
T +48-22-460-01-50  
poland@hikvision.com

**Hikvision Korea**  
T +82-31-731-8841  
sales.korea@hikvision.com

**Hikvision India**  
T +91-22-28469900  
sales@pramahikvision.com

**Hikvision UK**  
T +01628-902140  
support.uk@hikvision.com

**Hikvision Brazil**  
T +55 11 3318-0050  
Latam.support@hikvision.com