

## DS-2CD7026G0/P-(AP) 2 MP Network Box Camera

**DarkFighter**



## DeepinView

- 1/1.8" Progressive Scan CMOS
- 1920 × 1080 @ 60 fps
- Color: 0.002 Lux @ (F1.2, AGC ON)
- H.265, H.265+, H.264+, H.264
- 140dB WDR
- 3D DNR
- Auto iris, P-iris optional
- Auto back focus optional
- 1 RS-485 interface
- Alarm I/O
- Audio I/O
- Five defined streams and up to five custom streams
- 6 behavior analyses, 3 exception detection
- License Plate Recognition
- Supports alarms for listed license plate in the blacklist and whitelist
- Built-in microSD/SDHC/SDXC card slot, up to 256 GB



## Specifications

<b>Camera</b>	
Image Sensor	1/1.8" Progressive Scan CMOS
Min. Illumination	Color: 0.002 Lux @ (F1.2, AGC ON)
Shutter Speed	1 s to 1/100,000 s
Slow Shutter	Yes
Auto-iris	DC drive With -P model: P-iris
Day & Night	IR Cut Filter
Digital Noise Reduction	3D DNR
WDR	140dB
Focus	With -A model: support ABF (auto back focus)
<b>Lens</b>	
Lens Mount	CS mount
<b>Compression Standard</b>	
Video Compression	Main stream: H.265/H.264/H.265+/H.264+ Sub stream/third stream/fourth stream/fifth stream/custom stream: H.265/H.264/MJPEG
H.264 Type	Baseline Profile/Main Profile/High Profile
H.264+	Main stream support
H.265 Type	Main Profile
H.265+	Main stream support
Video Bit Rate	32 Kbps to 16 Mbps
Audio Compression	G.711/G.722.1/G.726/MP2L2/PCM
Audio Bit Rate	64Kbps(G.711)/16Kbps(G.722.1)/16Kbps(G.726)/32-192Kbps(MP2L2)
<b>Smart Feature-set</b>	
Perimeter Protection	Line crossing detection, intrusion detection, region entrance detection, region exiting detection, unattended baggage detection, object removal detection
Exception Detection	Scene change detection, audio exception detection, defocus detection
Statistics	No
Face Detection	Yes
Recognition	License Plate Recognition
Region of Interest	4 fixed regions for main stream, sub stream, third stream, fourth stream, and fifth stream, and dynamic face tracking
<b>Road Traffic and Vehicle Detection</b>	
Accuracy (Under recommended installation and lighting conditions)	Capture rate > 98% Vehicle moving direction recognition accuracy > 96% Mistaken capture rate < 2% (entrance/exit), < 5% (checkpoint)
Blacklist and whitelist	Max. 10,000 records
No License Plate Detection	Yes
Motorcycle LPR	Yes (only applicable to checkpoint)
<b>Image</b>	
Max. Resolution	1920 × 1080
Main Stream	50Hz: 50fps (1920 × 1080, 1280 × 960, 1280 × 720) 60Hz: 60fps (1920 × 1080, 1280 × 960, 1280 × 720)

Sub Stream	50Hz: 25fps (704 × 576, 640 × 480) 60Hz: 30fps (704 × 480, 640 × 480)
Third Stream	50Hz: 25fps (1920 × 1080, 1280 × 960, 1280 × 720, 704 × 576, 640 × 480) 60Hz: 30fps (1920 × 1080, 1280 × 960, 1280 × 720, 704 × 480, 640 × 480)
Fourth Stream	50Hz: 25fps (1920 × 1080, 1280 × 720, 704 × 576, 640 × 480) 60Hz: 30fps (1920 × 1080, 1280 × 720, 704 × 480, 640 × 480)
Fifth Stream	50Hz: 25fps (704 × 576, 640 × 480) 60Hz: 30fps (704 × 480, 640 × 480)
Custom Stream	50Hz: 25fps (1920 × 1080, 1280 × 720, 704 × 576, 640 × 480) 60Hz: 30fps (1920 × 1080, 1280 × 720, 704 × 480, 640 × 480)
Image Enhancement	BLC, HLC, Defog, 3D DNR, EIS
Image Setting	Rotate mode, saturation, brightness, contrast, sharpness, AGC, and white balance are adjustable by client software or web browser
Target Cropping	Yes
SVC	H.264 and H.265 encoding
Day/Night Switch	Day/Night/Auto/Schedule/Triggered by Alarm In/Triggered by video
Picture Overlay	LOGO picture can be overlaid on video with 128 × 128 24bit bmp format
<b>Network</b>	
Network Storage	Support microSD/SDHC/SDXC card (256 GB) local storage and NAS (NFS,SMB/CIFS), ANR
Alarm Trigger	Motion detection, video tampering alarm, network disconnected, IP address conflict, illegal login, HDD full, HDD error, alarm for listed license plate in the blacklist and whitelist
Protocols	TCP/IP, ICMP, HTTP, HTTPS, FTP, DHCP, DNS, DDNS, RTP, RTSP, RTCP, PPPoE, NTP, UPnP, SMTP, SNMP, IGMP, 802.1X, QoS, IPv6, UDP, Bonjour
Security Measures	Password protection, HTTPS encryption, IEEE 802.1x port-based network access control, IP address filter, basic and digest authentication for HTTP/HTTPS, WSSE and digest authentication for ONVIF
General Function	One-key reset, anti-flicker, five streams and custom stream, heartbeat, password protection, privacy mask, watermark, IP address filter
API	ONVIF (PROFILE S, PROFILE G), ISAPI, SDK
Simultaneous Live View	Up to 20 channels
User/Host	Up to 32 users. 3 user levels: administrator, operator and user
Client	iVMS-4200, Hik-Connect, iVMS-5200, Hik-Central
Web Browser	Plug-in required live view: IE8+, Chrome31.0-44, Mozilla Firefox30.0-51, Safari8.0+ Plug-in free live view: Chrome45+, Mozilla Firefox52+
<b>Interface</b>	
Audio	1 input (line in), 1 output, mono
Communication Interface	1 RJ45 10M/100M/1000M Ethernet port 1 RS-485 interface (half duplex, HIKVISION, Pelco-P, Pelco-D, self-adaptive)
Alarm	2 inputs 2 outputs (alarm output supports up to 24 VDC, 1A or 110 VAC, 500 mA)
Video Output	1Vp-p composite output (75 Ω/CVBS)
Power Output	12 VDC, max. 200 mA
On-board storage	Built-in micro SD/SDHC/SDXC slot, up to 256 GB
BNC	CVBS analog output (4CIF resolution)
Reset Button	Yes
<b>Audio</b>	
Environment Noise Filtering	Yes
Audio Sampling Rate	8 kHz/16 kHz/32 kHz/44.1 kHz/48 kHz
<b>General</b>	

Firmware Version	5.5.60
Operating Conditions	-30 °C to 60 °C (-22 °F to 140 °F), humidity 95% or less (non-condensing)
Power Supply	12 VDC ± 20%, 24 VAC± 20%, two-core terminal block; PoE (802.3af, class 3)
Power Consumption and Current	With extra load: 12 VDC, 1.0 A, max. 12 W; 24 VAC, 0.9 A, max. 12 W; PoE (802.3af, 36 V to 57 V), 0.1 A to 0.3 A, class 3 Without extra load: 12 VDC, 0.8 A, max. 9 W; 24 VAC, 0.75 A, max. 9 W; PoE (802.3af, 36 V to 57 V), 0.1 A to 0.3 A, class 3 “with extra load” means that an extra device is connected to and powered by the camera.
Material	Aluminum alloy
Dimensions	142.6 × 69.8 × 68 mm (5.61" × 2.75" × 2.68") With package: 315 × 140 × 140 mm (12.4" × 5.51" × 5.51")
Weight	-AP: approx. 750 g (1.65 lb.), 1050 g (2.31 lb.) with package Non-AP: approx. 700 g (1.54 lb.), 1000 g (2.2 lb.) with package

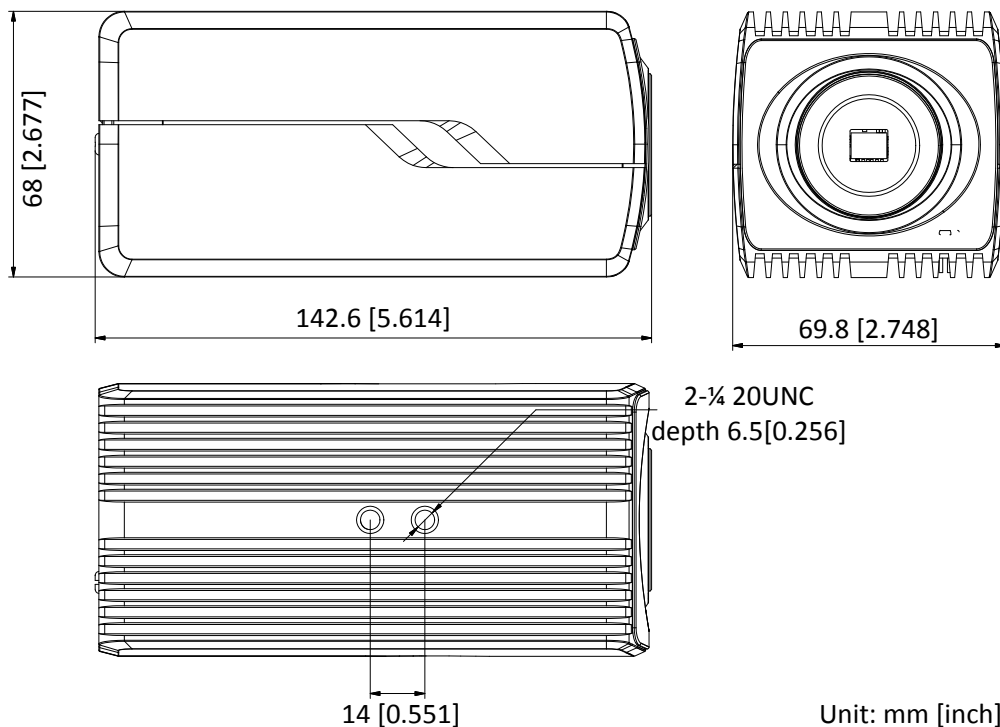
\* Listed resolutions are only selectable options. It does not mean that all streams can work at their maximum resolution at the same time.

## Available Models:

DS-2CD7026G0/P, DS-2CD7026G0/P-AP

\*-AP: support ABF (auto back focus) and P-iris

## Dimensions



## Accessories



DS-1292ZJ  
Wall Mount



DS-1299ZJ  
Pendant Mount



DS-1332HZ  
Indoor Housing



DS-1331HZ Series  
Outdoor Housing



HV3816D-8MPIR  
3.8 to 16 mm DC Iris



HV1140D-8MPIR  
11 to 40 mm DC Iris



HV3816P-8MPIR  
3.8 to 16 mm P-iris



HV0733D-6MP  
7 to 33 mm DC Iris



HF3417D-12MPIR  
3.4 mm DC Iris



HV0415D-MP  
4 to 15 mm DC Iris

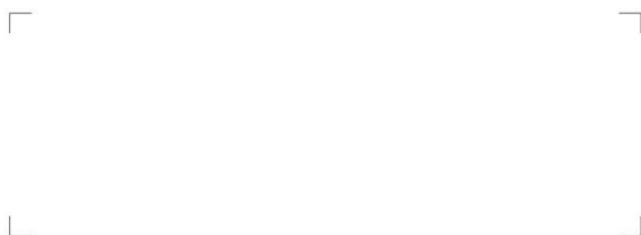


HV1250D-MPIR  
12 to 50 mm DC Iris



HV1140P-8MPIR  
11 to 40 mm P-Iris

Distributed by



## HIKVISION®

### Headquarters

No.555 Qianmo Road, Binjiang District,  
Hangzhou 310051, China  
T +86-571-8807-5998  
overseasbusiness@hikvision.com

**Hikvision USA**  
T +1-909-895-0400  
sales.usa@hikvision.com

**Hikvision Europe**  
T +31-23-55-42-770  
info.eu@hikvision.com

**Hikvision Middle East**  
T +971-4-8816086  
salesme@hikvision.com

**Hikvision Russia**  
T +7-495-669-67-99  
saleru@hikvision.com

**Hikvision India**  
T +91-22-28469900  
sales@pramahikvision.com

**Hikvision Italy**  
T +39-0438-6902  
info.it@hikvision.com

**Hikvision France**  
T +33(0)1-85-330-450  
info.fr@hikvision.com

**Hikvision Spain**  
T +34-91-737-16-55  
info.es@hikvision.com

**Hikvision Poland**  
T +48-22-460-01-50  
poland@hikvision.com

**Hikvision UK**  
T +01628-902140  
support.uk@hikvision.com

**Hikvision Singapore**  
T +65-6684-4718  
sg@hikvision.com

**Hikvision Oceania**  
T +61-2-8599-4233  
salesau@hikvision.com

**Hikvision Canada**  
T +1-909-895-0400  
sales.usa@hikvision.com

**Hikvision Korea**  
T +82-31-731-8841  
sales.korea@hikvision.com

**Hikvision Brazil**  
T +55 11 3318-0050  
Latam.support@hikvision.com

**Hikvision Africa**  
T +27 (10) 0351172  
sale.africa@hikvision.com

**Hikvision Hong Kong**  
T +852-2151-1761