

DS-2CD6626DS-IZ(H)S

2 MP Ultra Low-Light Anti-Corrosion Dome Camera



Key Features

- 1/1.8" progressive scan CMOS
- Up to 2.0 megapixel high resolution
- 120 dB wide dynamic range
- On-board storage, up to 128 GB
- IR distance: 10 to 30 m
- 24 VAC/12 VDC /PoE (802.3at)
- Anti-corrosion standard: WF2, C5-M, NEMA-4XMA 4X
- IP 67



Specifications

Camera	
Image Sensor	1/1.8" progressive scan CMOS
Min. Illumination	Color: 0.002 Lux @ (F1.2, AGC ON) B/W: 0.0002 Lux @ (F1.2, AGC ON)
Shutter Speed	1 s to 1/100,000 s, support slow shutter
Lens	2.8 to 12 mm F1.4, horizontal field of view: 92° to 32°
Lens Mount	Φ 14
Day & Night	IR cut filter with auto switch
Digital Noise Reduction	3D DNR
Wide Dynamic Range	120 dB
3-axis adjustment	Pan: 0° to 355°, tilt: 0° to 75°, rotation: 0° to 355°
Compression Standard	
Video Compression	H.264/MJPEG/MPEG4
H.264 Type	Baseline profile/main profile/high profile
Video Bit Rate	32 Kbps to 16 Mbps
Audio Compression	G.711/G.722.1/G.726/MP2L2/PCM
Audio Bit Rate	64 Kbps (G.711)/16 Kbps (G.722.1)/16 Kbps (G.726)/32 to 128 Kbps (MP2L2)
Image	
Max. Resolution	1920 × 1080
Main Stream Max. Frame Rate	50 Hz: 50 fps (1920 × 1080, 1280 × 960, 1280 × 720) 60 Hz: 60 fps (1920 × 1080, 1280 × 960, 1280 × 720)
Sub Stream Max. Frame Rate	PAL: 50 Hz: 25 fps (352 × 288, 640 × 480, 704 × 576), NTSC: 25 fps (352 × 240, 640 × 480, 704 × 480) PAL: 60 Hz: 30 fps (352 × 288, 640 × 480, 704 × 576), NTSC: 25 fps (352 × 240, 640 × 480, 704 × 480)
Third Stream Max. Frame Rate	Independent with Main Stream and Sub Stream, up to: 50 Hz: 25 fps (1920 × 1080) 60 Hz: 30 fps (1920 × 1080)
Image Settings	Corridor mode, rotate mode, saturation, brightness, contrast, and sharpness are adjustable by client software or web browser
Backlight Compensation	Yes, zone optional
Defog	Support
EIS	Support
HLC	Support
Picture Overlay	Support 24-bit, BMP, image overlay, zone optional
Day/Night Switch	Auto, schedule, alarm trigger
ROI	Up to 4 fixed areas in each stream or dynamic tracking
Network	
Network Storage	Micro SD/SDHC/SDXC card (up to 128 GB) local storage and NAS (NFS, SMB/CIFS)
Alarm Trigger	Tampering alarm, network disconnect, IP address conflict, storage full, storage error
Smart features	Behavior analysis, line crossing detection, intrusion detection, region entrance detection, unattended Baggage, object removal, exception detection
Protocols	TCP/IP, ICMP, HTTP, HTTPS, FTP, DHCP, DNS, DDNS, RTP, RTSP, RTCP, PPPoE, NTP, UPnP, SMTP, SNMP, IGMP, 802.1X, QoS, IPv6, Bonjour

Standard	ONVIF (PROFILE S, PROFILE G), ISAPI
General function	One-key recovery, anti-flicker, three streams, heartbeat, mirror, password protection, privacy mask, watermark, IP address filtering, anonymous access
Interface	
Audio interface	Audio in (mic in/line in)/output external interface (plug wire type)
Communication	1 RJ45 10M/100M Ethernet network
Housing interface	1 anti-corrosion inlet protected by a metal hose
Video Output	1 Vp-p composite output (75 Ω/BNC)
Alarm	1 input/1 output (up to 24 V DC 1A or 110 V AC 500 mA)
General	
Operating Conditions	-40°C to 60 °C (-40 °F to 140 °F), Humidity 95% or less (non-condensing)
Power Supply	24 VAC/12 VDC/PoE (802.3at)
Material	316 L
Ingress Protection	IP 67
Anti-Corrosion	WF2, C5-M, NEMA-4X
Power Consumption	Max. 16 W
IR Distance	10 to 30 m
Electric auxiliary heating	-H: With intelligent heating
Dimensions (mm)	Φ 165.4 mm × 130 mm (6.5" × 5.1")
Weight	3360 g (7.4 lb.)

Order Models

DS-2CD6626DS-IZS, DS-2CD6626DS-IZHS

Accessories

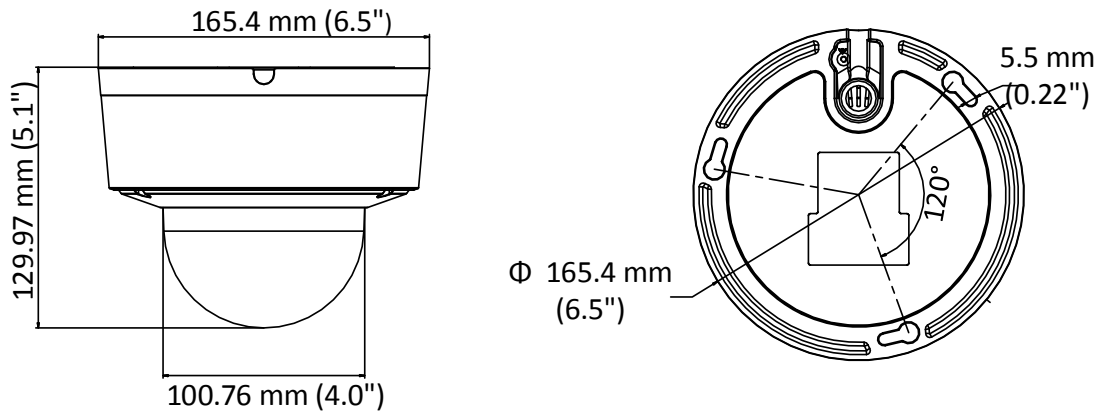


DS-1284ZJ-M Junction Box



DS-1703ZJ Wall Mount Bracket

Dimension



Distributed by



HIKVISION

Headquarters

No.555 Qianmo Road, Binjiang District,
Hangzhou 310051, China
T +86-571-8807-5998
overseasbusiness@hikvision.com

Hikvision USA
T +1-909-895-0400
sales.usa@hikvision.com

Hikvision Europe
T +31-23-55-42-770
info.eu@hikvision.com

Hikvision Middle East
T +971-4-8816086
salesme@hikvision.com

Hikvision Russia
T +7-495-669-67-99
saleru@hikvision.com

Hikvision India
T +91-22-28469900
sales@pramahikvision.com

Hikvision Italy
T +39-0438-6902
info.it@hikvision.com

Hikvision France
T +33(0)1-85-330-450
info.fr@hikvision.com

Hikvision Spain
T +34-91-737-16-55
info.es@hikvision.com

Hikvision Poland
T +48-22-460-01-50
poland@hikvision.com

Hikvision UK
T +01628-902140
support.uk@hikvision.com

Hikvision Singapore
T +65-6684-4718
sg@hikvision.com

Hikvision Oceania
T +61-2-8599-4233
salesau@hikvision.com

Hikvision Canada
T +1-909-895-0400
sales.usa@hikvision.com

Hikvision Korea
T +82-31-731-8841
sales.korea@hikvision.com

Hikvision Brazil
T +55 11 3318-0050
Latam.support@hikvision.com

Hikvision Africa
T +27 (10) 0351172
sale.africa@hikvision.com

Hikvision Hong Kong
T +852-2151-1761