



# **DS-MP1301 LCD Mobile Monitor**

**User Manual**

UD01455N

# TABLE OF CONTENTS

<b>Chapter 1 Introduction .....</b>	<b>6</b>
1.1 Overview.....	6
1.2 Physical Interface Introduction .....	6
1.3 Components .....	7
<b>Chapter 2 Pin Definition .....</b>	<b>8</b>
<b>Chapter 3 Connecting Cables .....</b>	<b>9</b>
<b>Chapter 4 Basic Configuration.....</b>	<b>10</b>
4.1 Displaying and Switching Video on the Screen .....	10
4.1.1 Displaying Video on the Screen .....	10
4.1.2 Switching Video on the Screen .....	10
4.2 Configuring Parameters .....	11
4.2.3 Configuring Display Channel.....	11
4.2.4 Adjusting Screen Brightness .....	11
4.2.5 Configuring Rear-View Mirror .....	12
4.2.6 Configuring the Screen Closing Time .....	12
4.2.7 Configuring Language .....	12
<b>Chapter 5 Dimension.....</b>	<b>13</b>
5.1 Monitor Dimension.....	13
5.2 Base Dimension .....	13
5.3 Nested Box Dimension .....	14
<b>Chapter 6 Specifications.....</b>	<b>16</b>

## **User Manual**

### **About this Manual**

This Manual is applicable to DS-MP1301 LCD Mobile Monitor.

The Manual includes instructions for using and managing the product. Pictures, charts, images and all other information hereinafter are for description and explanation only. The information contained in the Manual is subject to change, without notice, due to firmware updates or other reasons. Please find the latest version in the company website.

Please use this user manual under the guidance of professionals.

### **Legal Disclaimer**

REGARDING TO THE PRODUCT WITH INTERNET ACCESS, THE USE OF PRODUCT SHALL BE WHOLLY AT YOUR OWN RISKS. OUR COMPANY SHALL NOT TAKE ANY RESPONSIBILITIES FOR ABNORMAL OPERATION, PRIVACY LEAKAGE OR OTHER DAMAGES RESULTING FROM CYBER ATTACK, HACKER ATTACK, VIRUS INSPECTION, OR OTHER INTERNET SECURITY RISKS; HOWEVER, OUR COMPANY WILL PROVIDE TIMELY TECHNICAL SUPPORT IF REQUIRED.

SURVEILLANCE LAWS VARY BY JURISDICTION. PLEASE CHECK ALL RELEVANT LAWS IN YOUR JURISDICTION BEFORE USING THIS PRODUCT IN ORDER TO ENSURE THAT YOUR USE CONFORMS THE APPLICABLE LAW. OUR COMPANY SHALL NOT BE LIABLE IN THE EVENT THAT THIS PRODUCT IS USED WITH ILLEGITIMATE PURPOSES.

IN THE EVENT OF ANY CONFLICTS BETWEEN THIS MANUAL AND THE APPLICABLE LAW, THE LATER PREVAILS.

## Regulatory Information

### FCC Information

Please take attention that changes or modification not expressly approved by the party responsible for compliance could void the user's authority to operate the equipment.

**FCC compliance:** This equipment has been tested and found to comply with the limits for a Class A digital device, pursuant to part 15 of the FCC Rules. These limits are designed to provide reasonable protection against harmful interference when the equipment is operated in a commercial environment. This equipment generates, uses, and can radiate radio frequency energy and, if not installed and used in accordance with the instruction manual, may cause harmful interference to radio communications. Operation of this equipment in a residential area is likely to cause harmful interference in which case the user will be required to correct the interference at his own expense.

### FCC Conditions

This device complies with part 15 of the FCC Rules. Operation is subject to the following two conditions:

1. This device may not cause harmful interference.
2. This device must accept any interference received, including interference that may cause undesired operation.

### EU Conformity Statement



This product and - if applicable - the supplied accessories too are marked with "CE" and comply therefore with the applicable harmonized European standards listed under the EMC Directive 2014/30/EU, the RoHS Directive 2011/65/EU.



2012/19/EU (WEEE directive): Products marked with this symbol cannot be disposed of as unsorted municipal waste in the European Union. For proper recycling, return this product to your local supplier upon the purchase of equivalent new equipment, or dispose of it at designated collection points. For more information see: [www.recyclethis.info](http://www.recyclethis.info)



2006/66/EC (battery directive): This product contains a battery that cannot be disposed of as unsorted municipal waste in the European Union. See the product documentation for specific battery information. The battery is marked with this symbol, which may include lettering to indicate cadmium (Cd), lead (Pb), or mercury (Hg). For proper recycling, return the battery to your supplier or to a designated collection point. For more information see: [www.recyclethis.info](http://www.recyclethis.info)

### Industry Canada ICES-003 Compliance

This device meets the CAN ICES-3 (A)/NMB-3(A) standards requirements.

## **Safety Instruction**

- Read, keep, and follow these instructions.
- Install the device in a proper place where can't affect drivers sight.
- Do not place the device in a damp environment or expose it to rain.
- When cleaning screen, use soft dry cloth instead of damp cloth and do not use alcohol or any other chemicals.
- If the product does not work properly, please contact your dealer or the nearest service center, and you are not allowed to disassemble the device by yourself.

## **Preventive and Cautionary Tips**

Before connecting and operating your device, please be advised of the following tips:

- Ensure unit is installed in a well-ventilated, dust-free environment.
- Keep all liquids away from the device.
- Ensure environmental conditions meet factory specifications.
- Ensure unit is properly secured to a rack or shelf. Major shocks or jolts to the unit as a result of dropping it may cause damage to the sensitive electronics within the unit.
- Power down the unit before connecting and disconnecting accessories and peripherals.
- Improper use or replacement of the battery may result in hazard of explosion. Replace with the same or equivalent type only. Dispose of used batteries according to the instructions provided by the battery manufacturer.

Thank you for purchasing our product. If there is any question or request, please do not hesitate to contact the dealer.

This manual is applicable to following models.

Series	Models
LCD Mobile Monitor	DS-MP1301

This manual may contain several technically incorrect places or printing errors, and the content is subject to change without notice. The updates will be added into the new version of this manual.

We will readily improve or update the products or procedures described in the manual.

The figures shown in this manual are for reference only. The appearance and interface of the device are subject to the actual model.

# Chapter 1 Introduction

## 1.1 Overview

Cooperated with Mobile DVR, DS-MP1301 LCD Mobile Monitor is able to present the real-time live view of the rear-view camera when the vehicle is backing off and other connected camera. You can view and switch the video from the mobile DVR, rear-view camera and other camera on the screen of the monitor. Parameters such as brightness, rear-view mirror, screen closing time, language, etc. can be configured. And you can set parameters of mobile DVR on it. Featured in anti-vibration and anti-interference, the monitor adapts to various mobile environments, and can be applied in bus, coach, securicar, taxi, etc..

## 1.2 Panel Introduction

Refer to Figure 1.1 and Table 1.1 for the description of the front panel.



Figure 1. 1 Front Panel

Table 1. 1 Front Panel Description





No.	Name	Description
1	Light sensor	Reserved
2	M	Short press to switch and long press for over 3s to pop up the menu.
3	▲	Move upwards to select.
4	▼	Move downwards to select.

5	OK	Press it to confirm the selection.
6	Power switch	Press it to turn on/off the monitor.
7	LCD	LCD

## 1.3 Components

The device components are listed in Table 1.2.

Table 1. 2 Components

Physical Interface	Name	Description
	7" LCD Mobile Monitor	7" LCD Mobile Monitor
	Base	Used to fix 7" LCD Mobile Monitor for bracket mounting.
	Nested Box	Used to fix 7" LCD Mobile Monitor for embedded mounting.
	Adapter Cable	A provided cable of 30 cm with one aviation female plug for connecting to Mobile DVR and the other aviation female plug for connecting to 7" LCD Mobile Monitor.



The base and nested box are not provided together. You can choose one when purchasing.



## Chapter 2 Pin Definition

DS-MP1301 LCD Mobile Monitor connects to the mobile DVR with one four-pin aviation plug which effectively prevents the plug from falling out. The pin definitions are the same with Mobile DVR's AV OUT interface. See Figure 2.1 and Table 2.1 for the detailed definition.

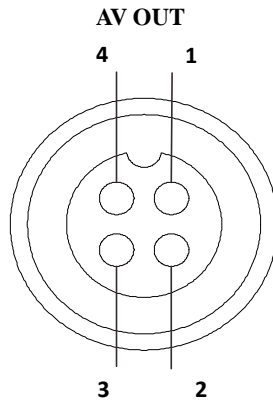


Figure 2. 1 Pin Definition of DS-MP1301

Table 2. 1 AV OUT's Pin Definition

No.	Description
1	VOUT
2	NC
3	+12V
4	GND

## Chapter 3 Connecting Cables

DS-MP1301 LCD Mobile Monitor can be connected to the mobile DVR, rear-view camera and the other camera. Refer to Figure 3.1 and Table 3.1 for the cable connections.



Figure 3. 1 Cable Connections

Table 3. 1 Cable Connections Description

No.	Description
1	For connecting to the AV OUT interface of the mobile DVR which is used to power the monitor.
2	For connecting to the rear-view camera.
3	For connecting to the other camera.
4	For switching to the rear-view camera.
5	For switching to the other camera.

## Chapter 4 Basic Configuration

You can view and switch the video from the mobile DVR, rear-view camera and other camera on the screen of the monitor. Parameters such as brightness, rear-view mirror, screen closing time, language, etc. can be configured.

### 4.1 Displaying and Switching Video on the Screen

#### 4.1.1 Displaying Video on the Screen

**Purpose:**

By default, the video from the connected mobile DVR is displayed on the screen of the monitor when it is started up.

**Steps:**

1. Connect the mobile DVR and cameras with the LCD mobile monitor.
2. Power on the mobile DVR to provide power for the monitor.
3. When the monitor is started up, the video input from the connected mobile DVR will be displayed on the screen.

#### 4.1.2 Switching Video on the Screen

**Purpose:**

The video from the connected mobile DVR, rear-view camera and other camera can be switched on the screen of the monitor. Auto switching and manual switching are supported.

- **Auto Switching**

High level trigger is supported for the monitor. When high level triggers the rear-view camera or other camera, the corresponding video from the triggered camera will be switched to the screen automatically.



If multiple signals are triggered at the same time, the monitor will display video from the rear-view camera first.

- **Manual Switching**

Press **M** button on the monitor to switch the video input display. The displaying sequence is mobile DVR camera>rear-view camera>other camera>mobile DVR camera.

## 4.2 Configuring Parameters

### 4.2.3 Configuring Display Channel

*Purpose:*

By default, the video from the connected mobile DVR is displayed on the screen of the monitor when it is started up. You can change the display channel of the monitor.

*Steps:*

1. Long press **M** button to enter the menu configuration interface.
2. Press **▲** or **▼** button to move the cursor to the **Display Channel** column.
3. Press **OK** button to select the **Display Channel** column.
4. Press **▲** or **▼** button to select the display channel from the Main Camera, Rear-view Camera and Other Camera.
5. Press **OK** button to save the settings.
6. Long press **M** button to exit from the current interface.
7. Reboot the monitor to take the settings into effect.

### 4.2.4 Adjusting Screen Brightness

*Purpose:*

The screen brightness can be adjusted automatically or manually.



If the screen brightness has been adjusted automatically, you cannot adjust it manually unless you disable the auto mode. Or if you have adjusted it manually, you cannot enable the auto mode.

- **Auto Adjusting**

*Steps:*

1. Long press **M** button to enter the menu configuration interface.
2. Press **▲** or **▼** button to move the cursor to the **Auto** column.
3. Press **OK** button to select the **Auto** mode and the screen will adjust the brightness automatically.
4. Long press **M** button to exit from the current interface.

- **Manual Adjusting**

*Steps:*

1. Long press **M** button to enter the menu configuration interface.
2. Press **▲** or **▼** button to move the cursor to the **Brightness** column.
3. Press **OK** button to select the **Brightness** column.
4. Press **▲** or **▼** button to select the brightness value.
5. Press **OK** button to save the settings.
6. Long press **M** button to exit from the current interface.

## 4.2.5 Configuring Rear-View Mirror

*Purpose:*

You can enable the rear-view mirror to display the video from the rear-view camera in left-right mirror mode.

*Steps:*

1. Long press **M** button to enter the menu configuration interface.
2. Press **▲** or **▼** button to move the cursor to the **Rear-view Mirror** column.
3. Press **OK** button to select the **Rear-view Mirror** column.
4. Press **▲** or **▼** button to enable or disable rear-view mirror function.
5. Press **OK** button to save the settings.
6. Long press **M** button to exit from the current interface.

## 4.2.6 Configuring the Screen Closing Time

*Purpose:*

You can configure the screen closing time to save power.

*Steps:*

1. Long press **M** button to enter the menu configuration interface.
2. Press **▲** or **▼** button to move the cursor to the **Close Screen** column.
3. Press **OK** button to select the **Close Screen** column.
4. Press **▲** or **▼** button to select the screen closing time (10s, 30s, 60s) or never.
5. Press **OK** button to save the settings.
6. Long press **M** button to exit from the current interface.

## 4.2.7 Configuring Language

*Purpose:*

You can configure the language of the monitor.

*Steps:*

1. Long press **M** button to enter the menu configuration interface.
2. Press **▲** or **▼** button to move the cursor to the **Language** column.
3. Press **OK** button to select the **Language** column.
4. Press **▲** or **▼** button to select the language you want to configure.
5. Press **OK** button to save the settings.
6. Long press **M** button to exit from the current interface.

## Chapter 5 Dimension

### 5.1 Monitor Dimension

The dimension of 7" DS-MP1301 LCD Mobile Monitor is shown in Figure 5.1.

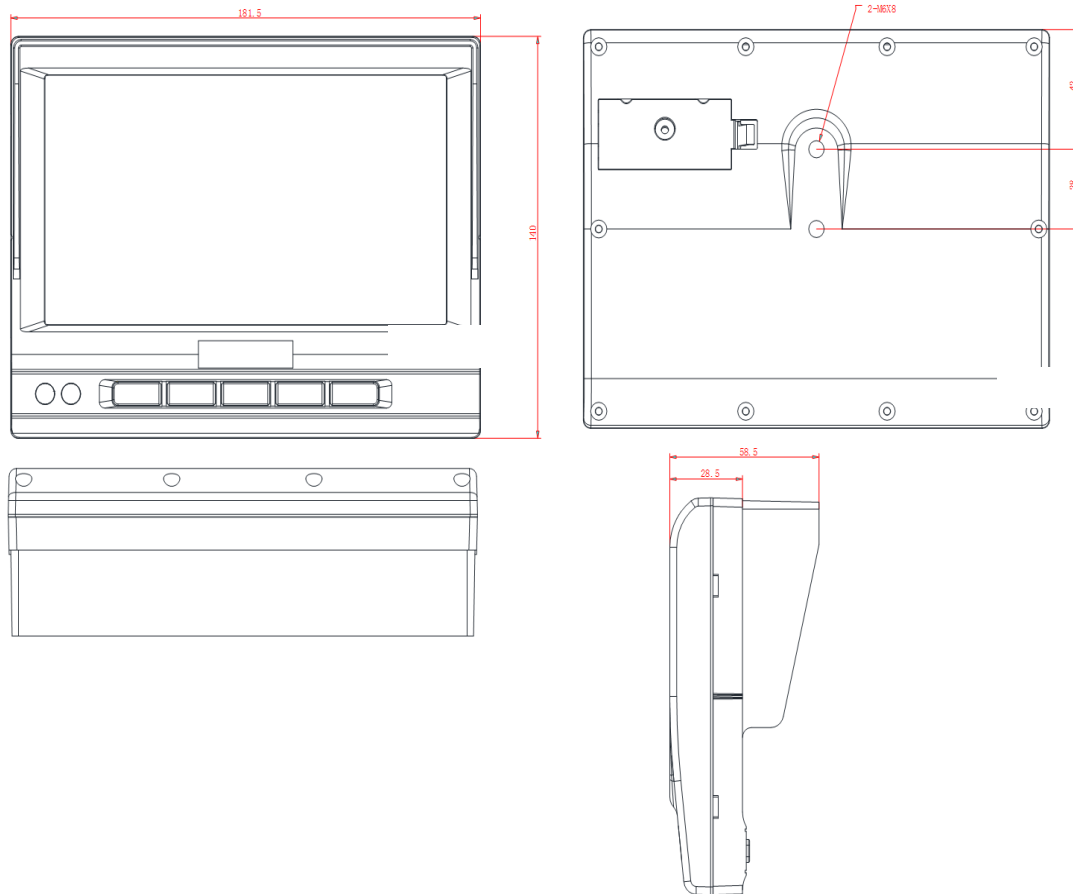


Figure 5. 1 Monitor Dimension

### 5.2 Base Dimension

The dimension of the optional base is shown in Figure 5.2.

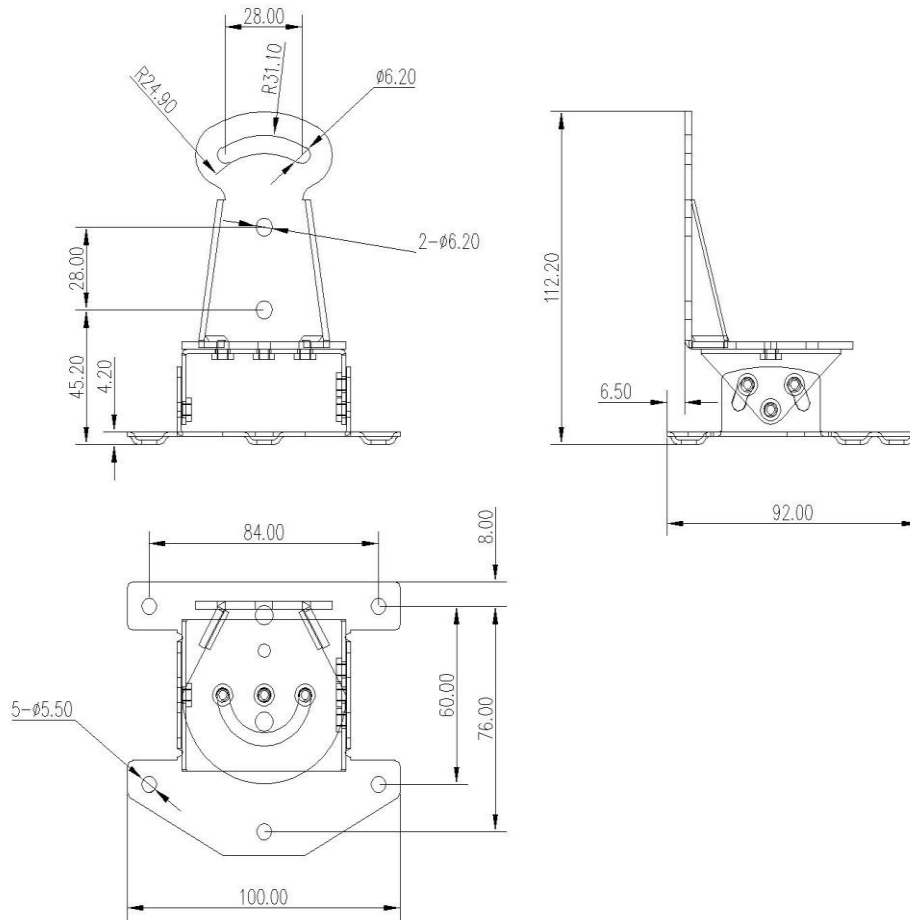


Figure 5. 2 Base Dimension

## 5.3 Nested Box Dimension

The dimension of the optional nested box is shown in Figure 5.3.

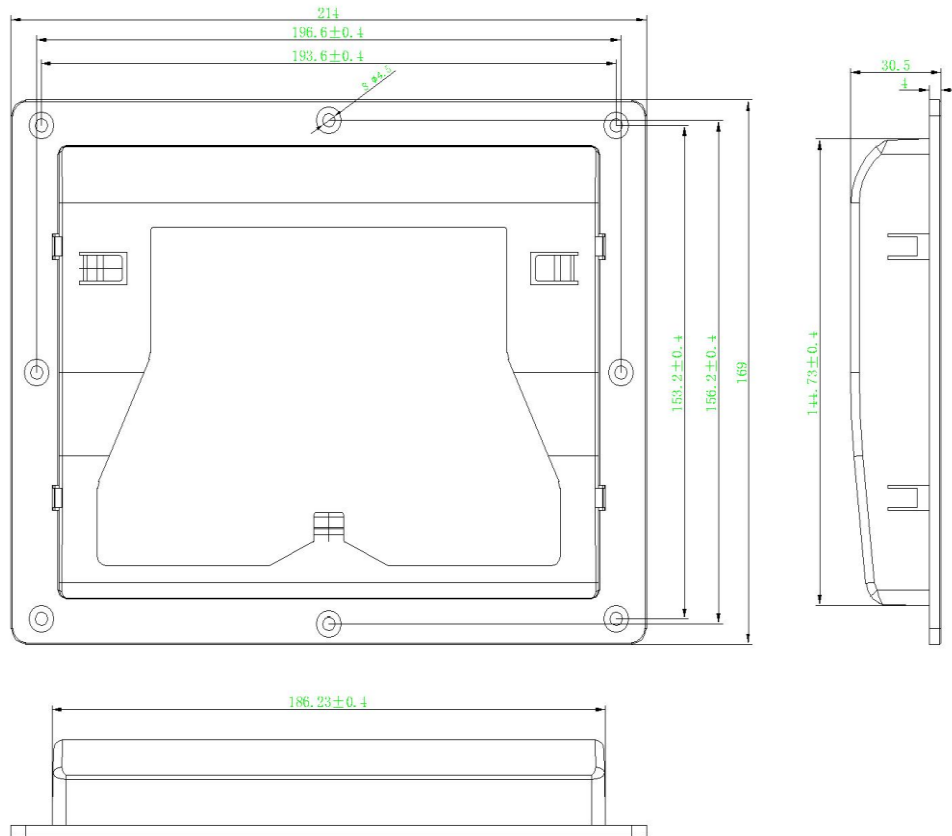


Figure 5.3 Nested Box Dimension



## Chapter 6 Specifications

Table 6. 1 Specifications of DS-MP1301

Model		DS-MP1301
Screen	Size	7" TFT-LCD
	Resolution	800 × 480 RGB
	Backlight	LED
	Brightness	Adjustable
	Visual angle	130 °
	System	PAL/NTSC
	Display mode	Mode 1: Manual switch Mode 2: Auto switch
Physical buttons	Buttons	M (Short press to switch and long press to pop up the menu.) ▲ (Volume up) ▼ (Volume down) OK Power switch
Video input	Mobile DVR video output	1-ch. Four-pin aviation male plug, connecting to the mobile DVR.
	Rear-view camera video input	1-ch. Four-pin aviation male plug, connecting to the rear-view camera.
	The other camera video input	1-ch (reserved). Four-pin aviation male plug, connecting to the other camera.
Other interface	Alarm input	2-ch
General	Working voltage	12 VDC
	Working temperature	-20 °C to +70 °C (-4 °F to +158 °F)
	Working humidity	10% to 95%
	Protection grade	IP54
Others	Mounting type	Embedded mounting; Bracket mounting

0100001060525