



HON-KWANG ELECTRIC CO., LTD.

HON-KWANG ELECTRIC (SHEN ZHEN) CO., LTD.

HON-KWANG ELECTRIC (KUN SHAN) CO., LTD.

FOR APPROVAL

CUSTOMER: 海康

DESCRIPTION: AC ADAPTOR

PART NO.: **HKKD-15041** **REV:A1**

MODEL NO: **A24-5A-950** TYPE: **EI-86**

DESIGNED NO: **15041-0827** DATE: **OCT.12.2015**

APPROVED SIGNATURES			

鳳冠電機股份有限公司
鳳冠電機(深圳)有限公司
鳳冠電機(昆山)有限公司

鳳冠電機(昆山)有限公司
HON-KWANG ELECTRIC (KUN SHAN) CO., LTD.

CUSTOMER:	海康	PART NO.	HKKD-15041	MODEL NO.	A24-5A-950
DESIGNED NO.	15041-0827	TYPE	EI-86	DATE	OCT. 12. 2015

1 ELECTRICAL PERFORMANCE

1.1 Primary rated voltage and frequency:

120VAC 60Hz

1.2 Secondary rated voltage and current:

Winding	SECONDARY VOLTAGE		
	Loading(5000mA)	No Load	Ripple(Vrms)
Sec	AC24V±1V	AC25.5V±1V	----mV Max

1.3 Primary exciting current (I_o):

160mA rms max, at input **120VAC60Hz** with no Load.

1.4 D.C Resistance Primary : **20ohmMAX**, measured at 25°C.

1.5 Temperature rise: **75°C** max on primary coil by the resistance method, and 50°C max on the surface of the case by the thermometer method at 25°C ambient, rated load condition.

1.6 Insulation resistance: 500VDC supplied, 100M ohms minimum between winding & core.

1.7 Hi-pot test:**1.24 KVAC** for 1 minute or **1.6 KVAC** for 1 second between input plug and output cord or case without breakdown. Sensitivity current 1.0mA.

1.8 Life test:

In an ambient temperature of 25°C, 90-95%R.H., applying a power source of **120 VAC60 Hz** to primary, output with full load for 8 hours continuously, adaptor output normally and meet the requirement of item 1.7.

1.9 At the normal atmospheric temperature and humidity , products' expectancy equal capable to arrive at 35000hour min.

2 MECHANICAL CHARACTERISTIS

2.1 Impact test:

This impact is to be produced by dropping a steel sphere,51mm in diameter and weighing approximately 535g . from a height of 1.3m . The steel sphere is to strike the case in a location different from those in the other two impacts .After test .The unit should meet the item 1.7.

Designed By:魏 紅

Reviewed By: 楊 浩 10/12

Approved By:

鳳冠電機(昆山)有限公司
HON-KWANG ELECTRIC (KUN SHAN) CO., LTD.

CUSTOMER:	海康	PART NO.	HKKD-15041	MODEL NO.	A24-5A-950
DESIGNED NO.	15041-0827	TYPE	EI-86	DATE	OCT. 12. 2015

2.2 Strain relief test:

At normal position, applying a weight of 10 lbs to input plug, 20 lbs to output cord for 60 seconds each, there shall be no breakage displacement.

2.3 Bending test:

The plug and S/R should withstand weight of 200 gram, swinging from left to right at angle of 120 degree for 1000 cycles, and 40 cycles per minute. The cord shall be conductible.

3 SAFETY STANDARD

- UL1310/CUL; UL60950/CUL; UL6500/CUL
- CSA-C22.2,NO223,M91
- TUV/GS/CE EN61558; TUV/GS/CE EN60950; TUV/GS/CE EN60065
- PSE
- CCC GB4943,GB9254; CCC GB8898,GB9254;
- SAA C-TICK
- BS/CE
- MEET CCC GB4943,GB9254

4 INSULATION SYSTEM

- CLASS A(105°C); CLASS E(120°C); CLASS B(130°C); CLASS F(150°C);

5 MECHANICAL REQUIREMENT

5.1 Appearance:

Damage and rusting are not permitted.

5.2 Dimension: as overall drawing.

6 ENVIRONMENTAL CONDITION

6.1 Operating temperature range: -10°C ~+30°C

6.2 Storage temperature range: -5°C ~+60°C

6.3 Operation humidity range: 30~85% RH

7 INSPECTION ON LINE

7.1 The test items for each product

7.1.1 Primary exciting current

鳳冠電機(昆山)有限公司
HON-KWANG ELECTRIC (KUN SHAN) CO., LTD.

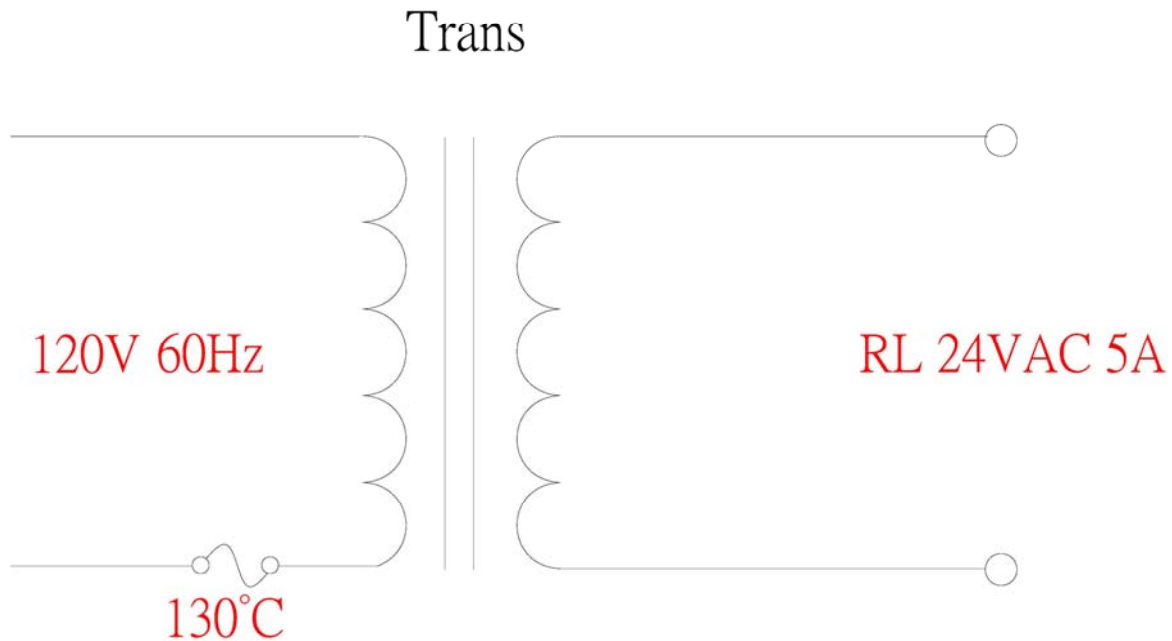
CUSTOMER:	海康	PART NO.	HKKD-15041	MODEL NO.	A24-5A-950
DESIGNED NO.	15041-0827	TYPE	EI-86	DATE	OCT. 12. 2015

- 7.1.2 Output voltage
- 7.1.3 Foreign mass by shock
- 7.1.4 Polarity of output plug
- 7.1.5 Hi-pot test
- 7.1.6 Appearance
- 7.2 The test item for part of products
 - 7.2.1 Hum operating at rated load
 - 7.2.2 Insulation test, Hi-pot test
 - 7.2.3 Drop test
 - 7.2.4 Pulling force test
 - 7.2.5 Appearance inspect

8 NET WEIGHT. (g±5%)

9 Products & parts with Lead-free solder. It meet RoHS

10 CIRCUIT DIAGRAM:

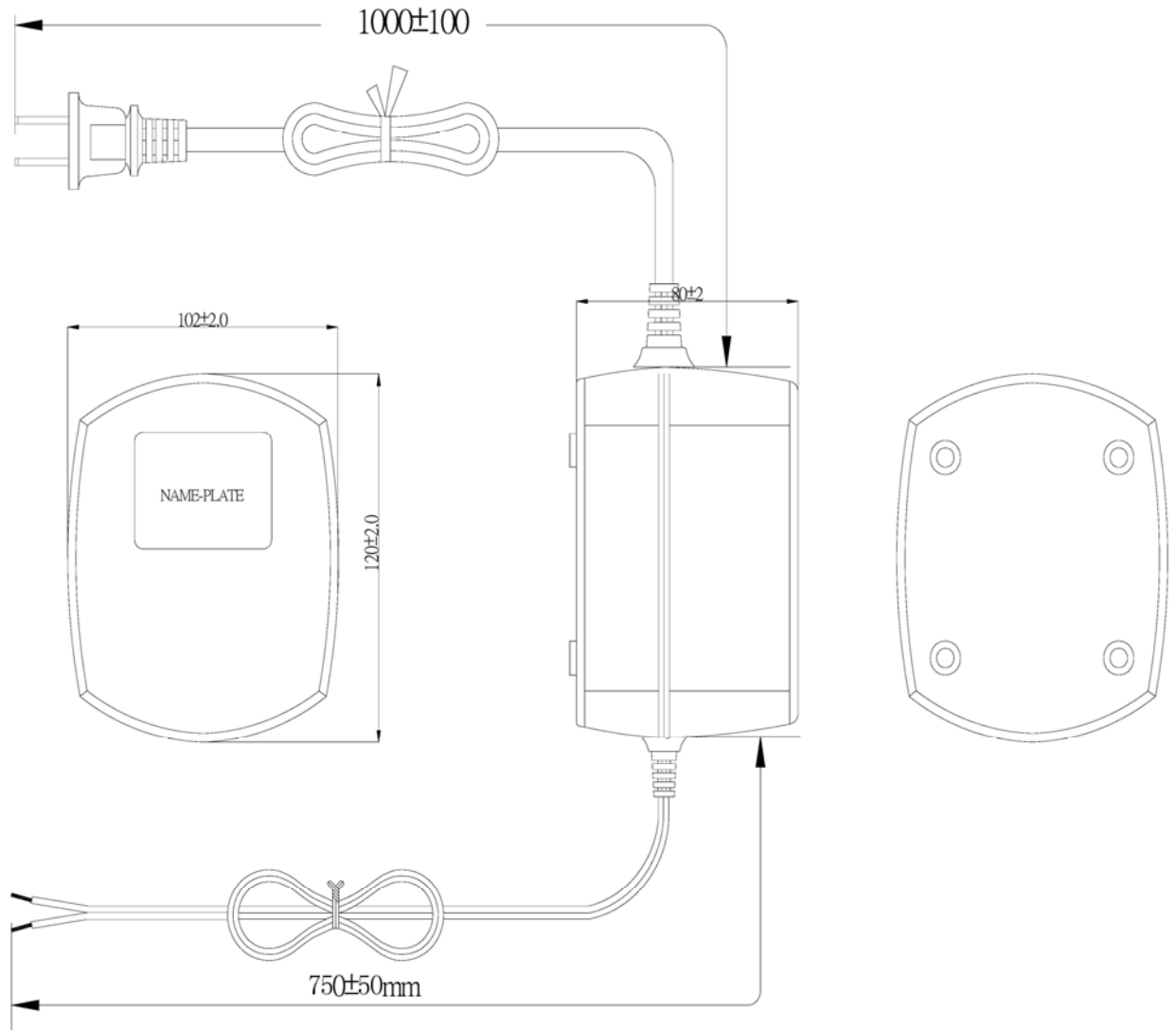


鳳冠電機(昆山)有限公司
HON-KWANG ELECTRIC (KUN SHAN) CO., LTD.

CUSTOMER:	海康	PART NO.	HKKD-15041	MODEL NO.	A24-5A-950
DESIGNED NO.	15041-0827	TYPE	EI-86	DATE	OCT. 12. 2015

11, OVERALL DRAWING.

UNIT:mm



鳳冠電機(昆山)有限公司
HON-KWANG ELECTRIC (KUN SHAN) CO., LTD.

CUSTOMER:	海康	PART NO.	HKKD-15041	MODEL NO.	A24-5A-950
DESIGNED NO.	15041-0827	TYPE	EI-86	DATE	OCT. 12. 2015



條碼內容:

備註:此客戶料號需保留，但掃描出來的內容不帶客戶料號，其他地方均不變

S/N:101700578 HKDAYMXXXXXA0

固定碼

固定碼

REV(A0, A1, A2,)

(客戶料號)

流水號(5位表示, 從00001-99999, 月產第一台00001, 月產第二台00002...)

月(用一個大寫字母表示, A-L代表1-12, 如3月表示為C)

年(用兩個大寫字母表示, A-J代表0-9, 如12年表示為BC)

固定的產品代碼



標籤位置居中

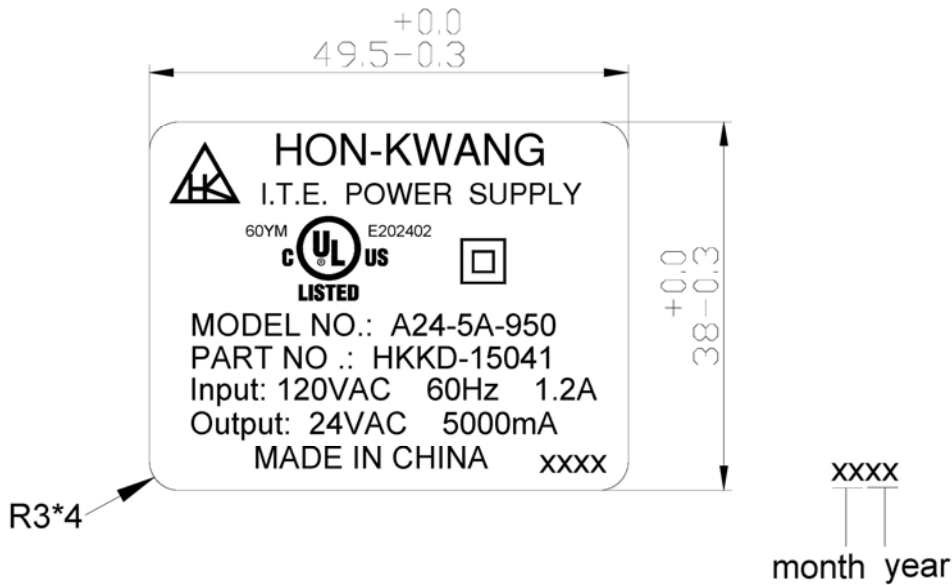
鳳冠電機(昆山)有限公司
HON-KWANG ELECTRIC (KUN SHAN) CO., LTD.

CUSTOMER:	海康	PART NO.	HKKD-15041	MODEL NO.	A24-5A-950
DESIGNED NO.	15041-0827	TYPE	EI-86	DATE	OCT. 12. 2015

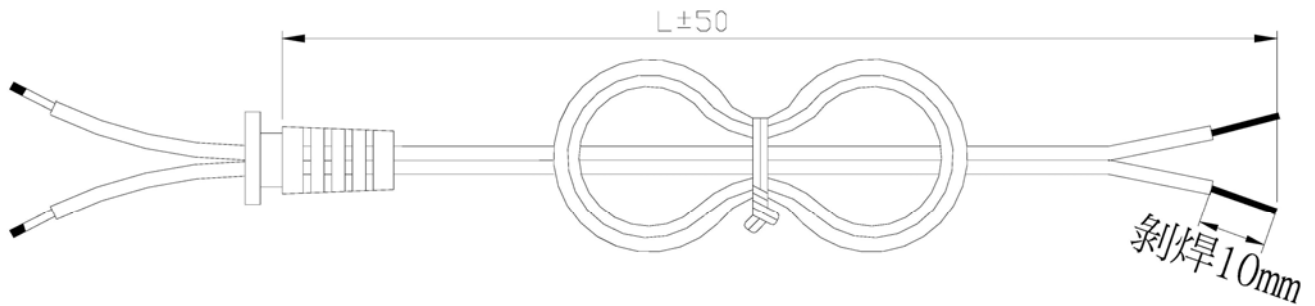
14, NAMEPLATE DRAWING.

Material: 0.1mm thickness min

Print Color: Black Word on Silver Base



15, DC CABLE LIST.



Output Plug: 剥焊 10±2 mm

Output Cord: 16#AWG x 2C; L=750mm ◆ SPT-2 105°C 2*1.31 mm²

TYPE: ◆ Flexible cord ◆ UL2468 VW-1 ◆ XT-WIRE ◆ SPT-1 60°C

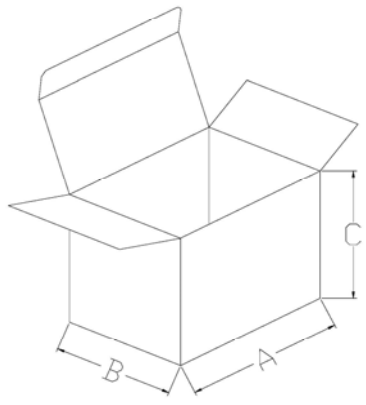
Polarize: ◆ ⊖ — C — ⊕ ◆ ⊕ — C — ⊖

鳳冠電機(昆山)有限公司
HON-KWANG ELECTRIC (KUN SHAN) CO., LTD.

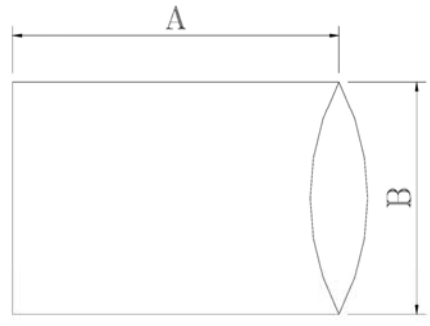
CUSTOMER:	海康	PART NO.	HKKD-15041	MODEL NO.	A24-5A-950
DESIGNED NO.	15041-0827	TYPE	EI-86	DATE	OCT. 12. 2015

16,PACKAGE(SELECT)

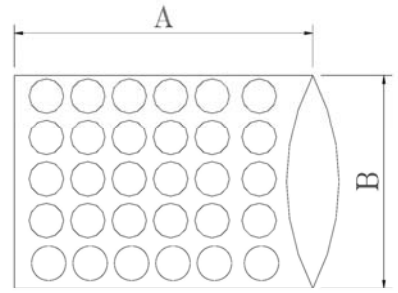
INNER BOX. (Normal box; Corrugated box)

<p>1,SIZE: A*B*C=-*-*- (mm) Tolerance: ±2.0 2,MATERIAL:400pounds 3,COLOR:white</p>	
---	---

PE BAG

<p>1,SIZE:A*B=--mm*--mm</p>	
-----------------------------	--

BUBBLE BAG

<p>1,SIZE:A*B=260mm*220mm</p>	
-------------------------------	--