

DS-1602ZJ-box

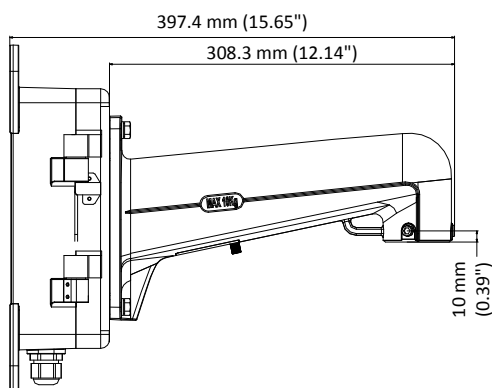
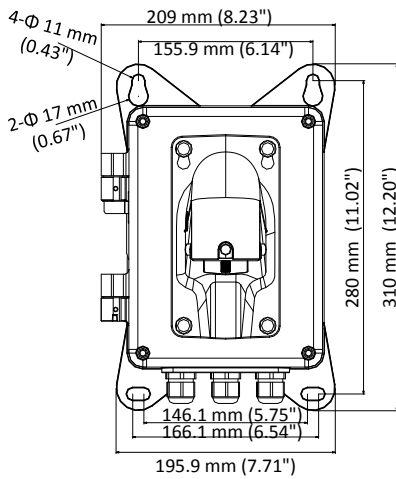
Wall Mount Bracket Indoor/Outdoor



Features:

- Aluminum alloy material with surface spray treatment
- General design for indoor/outdoor
- Better water proof design
- With safety rope, the assembling is safer and more convenient

Dimension:



Note: The actual bracket may vary from the picture above.

Order model:

DS-1602ZJ-box

Parameters:

Model	DS-1602ZJ-box
Parameter	Wall Mount Bracket In/Outdoor
Color	Hik white
Feature	Suitable for speed dome pendent mounting
Material	Aluminum Alloy & Steel
Dimension	397.4 × 209 × 310 mm
Weight	3360 g (7.41 lb.)

Notice:

- The bracket should be installed on the flat surface.
- The wall should be capable of supporting at least 3 times as much as the total weight of the camera, and the bracket.