

DS-2CD3121G0-I(SF) 2 MP Fixed Dome Network Camera



- High quality imaging with 2 MP resolution
- Efficient H.265+ compression technology to save bandwidth and storage
- Clear imaging against strong back light due to WDR technology
- 3D DNR technology delivers clean and sharp images
- Easy installation with Power over Ethernet (PoE) technology
- Water and dust resistant (IP67) and vandal proof (IK10)



▪ Specification

| Camera | |
|-----------------------------|---|
| Image Sensor | 1/2.7" Progressive Scan CMOS |
| Max. Resolution | 1920 × 1080 |
| Min. Illumination | Color: 0.005 Lux @ (F1.6, AGC ON), B/W: 0 Lux with IR |
| Shutter Speed | 1/3 s to 1/100,000 s |
| Angle Adjustment | Pan: 0° to 355°, tilt: 0° to 75°, rotate: 0° to 355° |
| Lens | |
| Focal Length & FOV | 2.8 mm, horizontal FOV 111.6°, vertical FOV 59.3°, diagonal FOV 133.9° 4 mm, horizontal FOV 91.5°, vertical FOV 46.1°, diagonal FOV 109.8° 6 mm, horizontal FOV 56°, vertical FOV 29.8°, diagonal FOV 65.3° |
| Lens Mount | M12 |
| Aperture | F1.6 |
| DORI | |
| DORI | 2.8 mm: D: 43 m, O: 17 m, R: 9 m, I: 5 m 4 mm: D: 53 m, O: 21 m, R: 11 m, I: 6 m 6 mm: D: 86 m, O: 34 m, R: 17 m, I: 9 m |
| Illuminator | |
| Smart Supplement Light | Yes |
| IR Wavelength | 850 nm |
| Supplement Light Range | Up to 40 m |
| Video | |
| Main Stream | 50 Hz: 25 fps (1920 × 1080, 1280 × 720) 60 Hz: 30 fps (1920 × 1080, 1280 × 720) |
| Sub-Stream | 50 Hz: 25 fps (640 × 480, 640 × 360) 60 Hz: 30 fps (640 × 480, 640 × 360) |
| Third Stream | 50 Hz: 12 fps (1920 × 1080) 60 Hz: 12 fps (1920 × 1080) |
| Video Compression | Main stream: H.265/H.264/H.265+/H.264+ Sub-stream: H.265/H.264/MJPEG Third stream: H.265/H.264 |
| Video Bit Rate | 32 Kbps to 8 Mbps |
| H.264 Type | Baseline Profile/Main Profile/High Profile |
| H.265 Type | Main Profile |
| Region of Interest (ROI) | 1 fixed region for main stream |
| Audio | |
| Audio Compression | -SF: G.711ulaw/G.711alaw/G.722.1/G.726/MP2L2/PCM/AAC |
| Audio Bit Rate | -SF: 64 Kbps(G.711 ulaw/G.711 alaw)/16 Kbps(G.722.1)/16 Kbps(G.726)/32 to 160 Kbps(MP2L2)/16 to 64 Kbps(AAC) |
| Audio Sampling Rate | -SF: 8 kHz/16 kHz |
| Environment Noise Filtering | -SF: Yes |
| Network | |
| Protocols | TCP/IP, ICMP, HTTP, HTTPS, FTP, DHCP, DNS, DDNS, RTP, RTSP, RTCP, NTP, UPnP™, SMTP, SNMP v2c/v3, IGMP, 802.1X, QoS, IPv6, Bonjour, IPv4, UDP, SSL/TLS |
| Simultaneous Live View | Up to 6 channels |

| | |
|----------------------------------|--|
| API | Open Network Video Interface, ISAPI |
| User/Host | Up to 32 users. 3 levels: administrator, operator and user |
| Client | iVMS-4200, Hik-Connect |
| Web Browser | Plug-in required live view: IE 10+ Plug-in free live view: Chrome 57.0+, Firefox 52.0+ Local service: Chrome 57.0+, Firefox 52.0+ |
| Image | |
| Image Settings | Saturation, brightness, contrast, sharpness, AGC, white balance adjustable by client software or web browser |
| Day/Night Switch | Day, Night, Auto, Schedule |
| Wide Dynamic Range (WDR) | 120 dB |
| Image Enhancement | BLC, 3D DNR |
| Interface | |
| Ethernet Interface | 1 RJ45 10 M/100 M self-adaptive Ethernet port |
| On-Board Storage | -SF: Built-in memory card slot, support microSD card, up to 256 GB |
| Audio | -SF: 1 input (line in), two-core terminal block, max. input amplitude: 3.3 Vpp, input impedance: 4.7 K Ω , interface type: non-equilibrium 1 output (line out), two-core terminal block, max. output amplitude: 3.3 Vpp, output impedance: 100 Ω , interface type: non-equilibrium |
| Alarm | -SF: 1 input, 1 output, (max. 12 VDC, 30 mA) |
| Reset Key | -SF: Yes |
| Event | |
| Basic Event | Motion detection, video tampering alarm, exception |
| Smart Event | Line crossing detection, intrusion detection |
| Linkage | Notify surveillance center, send email, trigger recording, trigger capture -SF: Upload to FTP/memory card, trigger alarm output |
| Deep Learning Function | |
| Perimeter Protection | Line crossing, intrusion |
| General | |
| Power | 12 VDC \pm 25%, 0.4 A, max. 5 W, \varnothing 5.5 mm coaxial power plug PoE: 802.3af, Class 3, 36 V to 57 V, 0.2 A to 0.15 A, max. 6.5 W |
| Material | Metal & Plastic |
| Dimension | \varnothing 110.8 mm \times 84.7 mm (4.4" \times 3.3") |
| Package Dimension | 135 mm \times 135 mm \times 110 mm (5.3" \times 5.3" \times 4.3") |
| Weight | Approx. 497 g (1.1 lb.) |
| With Package Weight | Approx. 597 g (1.3 lb.) |
| Storage Conditions | -30 $^{\circ}$ C to 60 $^{\circ}$ C (-22 $^{\circ}$ F to 140 $^{\circ}$ F). Humidity: 95% or less (non-condensing) |
| Startup and Operating Conditions | -30 $^{\circ}$ C to 60 $^{\circ}$ C (-22 $^{\circ}$ F to 140 $^{\circ}$ F). Humidity: 95% or less (non-condensing) |
| Language | English, Ukrainian |
| General Function | Anti-flicker, heartbeat, mirror, password protection, privacy mask, watermark, IP address filter |

Approval

| | |
|-------------|--|
| EMC | FCC SDoC (47 CFR Part 15, Subpart B); CE-EMC (EN 55032: 2015, EN 61000-3-2:2019, EN 61000-3-3:2013+A1:2019, EN 50130-4: 2011 +A1: 2014); KC (KN 32: 2015, KN 35: 2015) |
| Safety | UL (UL 62368-1); CB (IEC 62368-1:2014+A11); CE-LVD (EN 62368-1:2014/A11:2017); BIS (IS 13252(Part 1):2010/ IEC 60950-1: 2005) |
| Environment | CE-RoHS (2011/65/EU); WEEE (2012/19/EU); Reach (Regulation (EC) No 1907/2006) |
| Protection | IP67 (IEC 60529-2013); IK10 (IEC 62262:2002) |

▪ Available Model

DS-2CD3121G0-I (2.8/4/6 mm)

DS-2CD3121G0-ISF (2.8/4/6 mm)

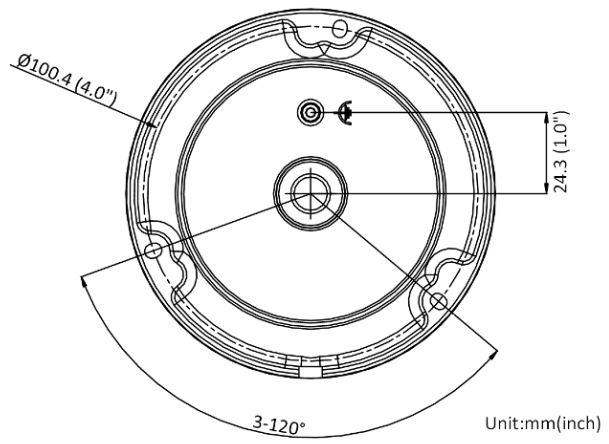
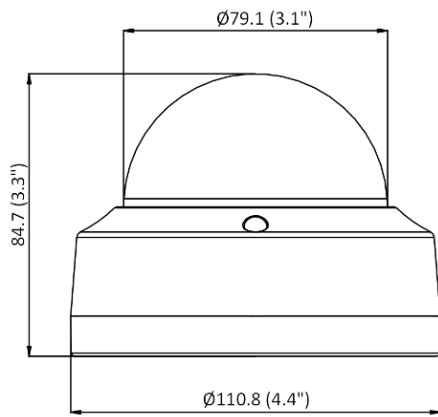
▪ Typical Application

Hikvision products are classified into three levels according to their anti-corrosion performance. Refer to the following description to choose for your using environment.

This model has NO SPECIFIC PROTECTION.

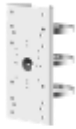








| Level | Description |
|------------------------|--|
| Top-level protection | Hikvision products at this level are equipped for use in areas where professional anti-corrosion protection is a must. Typical application scenarios include coastlines, docks, chemical plants, and more. |
| Moderate protection | Hikvision products at this level are equipped for use in areas with moderate anti-corrosion demands. Typical application scenarios include coastal areas about 2 kilometers (1.24 miles) away from coastlines, as well as areas affected by acid rain. |
| No specific protection | Hikvision products at this level are equipped for use in areas where no specific anti-corrosion protection is needed. |

▪ Dimension



▪ **Accessory**

▪ **Optional**

| DS-1275ZJ-SUS Vertical Pole Mount | DS-1258ZJ Wall Mount | DS-1272ZJ-110 Wall Mount | DS-1259ZJ Inclined Ceiling Mount | DS-1272ZJ-110B Wall Mount |
|--|--|--|--|---|
|  |  |  |  |  |
| DS-1276ZJ-SUS Corner Mount | DS-1280ZJ-DM18 Junction Box | DS-1250ZJ Water-proof | DS-1271ZJ-110 Pendant Mount | |
|  |  |  |  | |

Distributed by

**HIKVISION®****Headquarters**

No.555 Qianmo Road, Binjiang District,
Hangzhou 310051, China
T +86-571-8807-5998
overseasbusiness@hikvision.com

Hikvision USA
T +1-909-895-0400
sales.usa@hikvision.com

Hikvision Australia
T +61-2-8599-4233
salesau@hikvision.com

Hikvision India
T +91-22-28469900
sales@pramahikvision.com

Hikvision Canada
T +1-866-200-6690
sales.canada@hikvision.com

Hikvision Thailand
T +662-275-9949
sales.thailand@hikvision.com

Hikvision Europe
T +31-23-5542770
sales.eu@hikvision.com

Hikvision Italy
T +39-0438-6902
info.it@hikvision.com

Hikvision Brazil
T +55 11 3318-0050
Latam.support@hikvision.com

Hikvision Turkey
T +90 (216)521 7070- 7074
sales.tr@hikvision.com

Hikvision Malaysia
T +601-7652-2413
sales.my@hikvision.com

Hikvision UK & Ireland
T +01628-902140
sales.uk@hikvision.com

Hikvision South Africa
Tel: +27 (10) 0351172
sale.africa@hikvision.com

Hikvision France
T +33(0)1-85-330-450
info.fr@hikvision.com

Hikvision Kazakhstan
T +7-727-9730667
nikia.panfilov@hikvision.ru

Hikvision Vietnam
T +84-974270888
sales.vt@hikvision.com

Hikvision UAE
T +971-4-4432090
salesme@hikvision.com

Hikvision Singapore
T +65-6684-4718
sg@hikvision.com

Hikvision Spain
T +34-91-737-16-55
info.es@hikvision.com

Hikvision Tashkent
T +99-87-1238-9438
uzb@hikvision.ru

Hikvision Hong Kong
T +852-2151-1761
info.hk@hikvision.com

Hikvision Russia
T +7-495-669-67-99
saleru@hikvision.com

Hikvision Korea
T +82-(0)31-731-8817
sales.korea@hikvision.com

Hikvision Poland
T +48-22-460-01-50
info.pl@hikvision.com

Hikvision Indonesia
T +62-21-2933759
Sales.Indonesia@hikvision.com

Hikvision Colombia
sales.colombia@hikvision.com