

## DS-1358HZ-HCKV

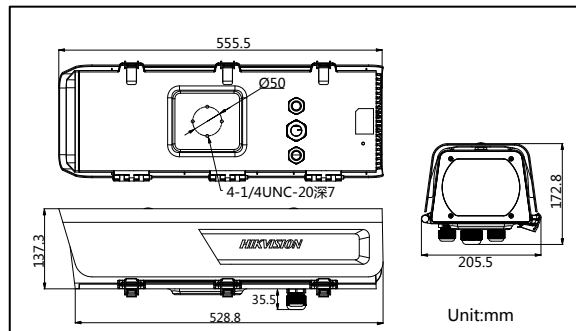
### Outdoor Housing



#### Feature

- Side-cover design for convenient installation and maintenance
- Stainless steel dual-hasp design, up to IP 66
- Built-in automatic fan

#### Dimension and Wiring



#### Accessory



**DS-1701ZJ-F**



**DS-1214ZJ**

#### Attention:

1. Please read the specification carefully and comply all warning items before installing the camera.
2. Please install the lightning arrester to prevent surge.
3. Please ensure power off before wiping the camera. Liquid or Spray cleaner is forbidden.
4. Please do not install the camera on the unstable bracket.
5. It is necessary to protect the power cable, especially for the plug

#### Available Model

DS-1358HZ-HCKV

#### Parameter

Model	DS-1358HZ-HCKV
Parameters	Outdoor Housing
Working Temperature	-30° C to 60° C (-22° F to 140° F)
Power Supply	24V AC
Power Consumption	25 W
Material	Main body: Aluminum alloy
Ingress Protection	IP 66
Dimension	555.5×205.5×172.8mm
Weight	Approx. 6.5kg ,7kg with packet
Interface	Power: AC24V 1 RJ45 10M/100M/1000M Ethernet port 1 1000M optical interface (FC port) Audio: 1 audio in, 1 audio out Video Output: BNC (CVBS) Alarm: 3 alarm in , 3 alarm out