

**DS-D5043U3-1V0X**  
**43 inch UHD 60Hz VA Monitor(EU)**



- Ultra HD 3840 ×2160 @60 Hz.
- Wide viewing angle: Horizontal 178°, Vertical 178°.
- Ultra-thin device body with ultra-thin border for 3 sides.
- Multiple interfaces: VGA, HDMI, USB 2.0
- Build-in speaker, Audio 10W\*2.
- Low blue light design for eye care.
- 3D noise reduction.
- Support VESA wall mount.

## ▪ Specification

<b>Display</b>	
Screen Size	43 inch
Active Display Area	941.184 (H) mm × 529.416 (V) mm
Resolution	3840 × 2160 @60 Hz
Backlight	D-LED
Pixel Pitch	0.2451 (H) × 0.2451 (V) mm
Brightness	350 cd/m <sup>2</sup>
Viewing Angle	178° / 178°
Color Depth	8 bit + FRC
Contrast Ratio	4000 : 1
Response Time	6.5 ms (typ)
Refresh Rate	60 Hz
Haze	25%
Color Gamut	72% NTSC
Reliability	7 * 24H
<b>Interface</b>	
Video & Audio Input	HDMI × 1, DP × 1, VGA × 1, LINE IN × 1
Video & Audio Output	Speaker OUT × 2 ( 8Ω 10W )
Data Transmission Interface	USB2.0 × 1
Control Interface	RS232-IN × 1, RS232-OUT × 1
<b>Power</b>	
Power Supply	100-240 V ~ , 50/60 Hz, 1.0 A Max
Power Consumption	≤ 80W
Standby Consumption	≤ 0.5 W
<b>Working Environment</b>	
Working Temperature	0 °C to 50 °C (41 °F to 104 °F)
Working Humidity	10% ~ 90% RH (Non-Condensing)
Storage Temperature	-20 °C to 60 °C (14 °F to 140 °F)
Storage Humidity	5% ~ 90% RH (Non-Condensing)
<b>General</b>	
Speaker	8 Ω 10 W ×2
Casing Material	Plastic
VESA	7.87 inch × 7.87 inch
Bezel Width	0.04 inch (top/left/right) , 0.94 inch (bottom)
Product Dimensions (W × H × D)	37.67 (W) inch × 22.11 (H) inch × 2.99(D) inch (without base) , 37.67 (W) inch × 24.26 (H) inch × 9.53 (D) inch (with base)
Package Dimensions (W × H × D)	1073 (W) mm × 668 (H) mm × 161 (D) mm (42.24 (W) × 26.3 (H) × 6.34 (D)) inch
Net Weight	6.81 ± 0.5 kg (15.01 ± 1.1 lb.)
Gross Weight	9.88 ± 0.5 kg (21.78 ± 1.1 lb.)
Packing List	Monitor × 1, Base component × 1, Power cable × 1, HDMI cable (1.5 m) × 1, User manual × 1, Multilingual manual × 1, Remote control × 1, Screw × 6

Remarks	<p>*The base is included by default.</p> <p>*The product appearance and parameters in this specification may vary from your actual device. Please consult our local sales staff for further information.</p>
---------	--

## ▪ Physical Interface

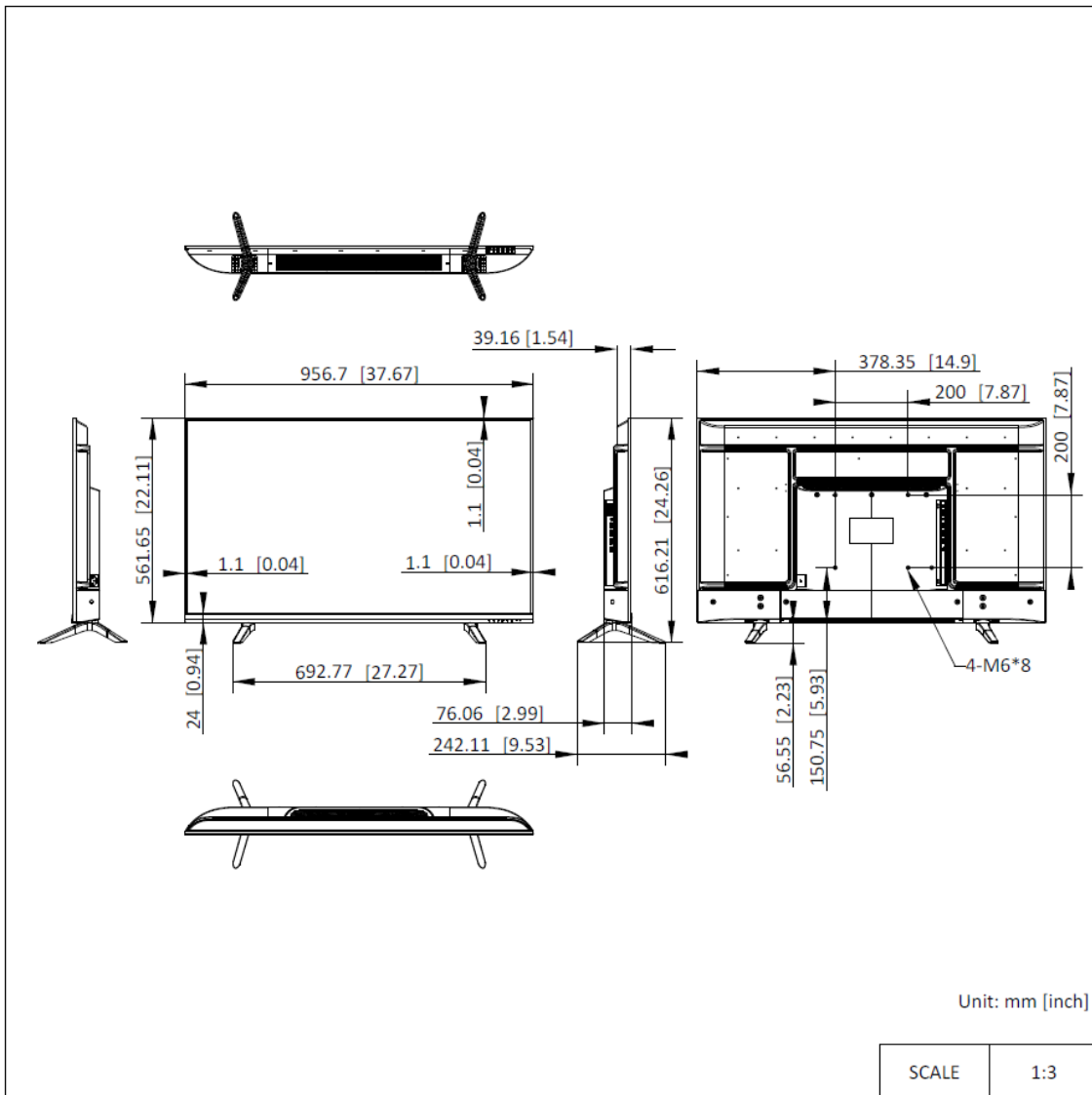


Interface	Description	Interface	Description
AC	AC 100-240V ~ ,50/60Hz,1.0A Max, input interface	HDMI	HDMI 1.4 digital signal input interface
USB	USB2.0,input interface	Audio In	3.5mm Audio input interface
RS232-IN	RS232-IN,input interface	RS232-OUT	RS232-OUT,output interface
DP	DP 1.2 digital signal input interface	VGA	VGA analog signal input interface

## ▪ Available Model

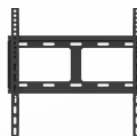
DS-D5043U3-1V0X(EU)

## ▪ Dimension



- Accessory
- Optional

DS-DM4255W



# See Far, Go Further



[www.hikvision.com](http://www.hikvision.com)  
[support@hikvision.com](mailto:support@hikvision.com)

