

## DS-D5B75RB/E(S) 75-inch Interactive Flat Panel



The Hikvision Interactive Flat Panel is a kind of newly developed intelligent teaching assistance product which integrates with the latest technologies of touch control, HD display, video processing, network communication, interactive control, sound control. It can be widely applied to the classroom, online teaching, training center, etc.

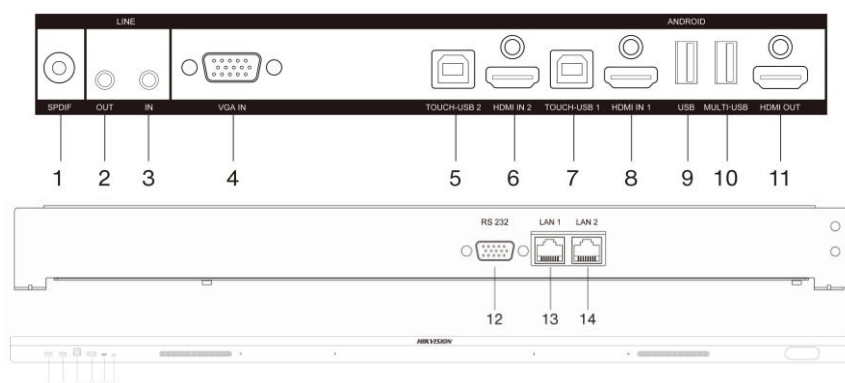
- UHD 4K display with resolution of 3840 × 2160.
- Anti-glare and anti-blocking design to ensure smooth interaction.
- Dual systems of Android and Windows (Optional) saving cost and easy to use, video conference software are recommended to run under Windows system.
- Quick response, at most 45-points touch control and smooth writing experience.
- Built-in network switch module saves a network switch.
- All-in-one design with tempered glass and intelligent temperature control, making it environmental-friendly and safety-guaranteed, support blue light protection.

## ▪ Specification

Product Model	
Product Model	DS-D5B75RB/E(S)
Panel	
Glass Thickness	3.2mm
Glass Bonding Method	Zero Lamination
Panel Type	IPS
Display	
Screen Size	75 inch
Backlight	DLED
Pixel Pitch	0.143(H) × 0.430(V) mm
Resolution	3840 × 2160 @60 Hz
Brightness	450 cd/m <sup>2</sup> (Typ.)
Color Depth	10bit
Contrast Ratio	1200:1
Response Time	6 ms
Color Gamut	72% NTSC
Refresh Rate	60 Hz
Viewing Angle	178°(H)/178°(V)
Lifespan	50000 hours
Aspect Ratio	16 : 9
Surface Haze	25%Haze
Display Area	1650.24mm x 928.26mm
Working Duration	7*16H
Display Color	1.07G
Touch	
Type	Infrared Touch Screen
Touch Point	45 point multi-touch
Touch Response Time	< 10 ms
Touch Precision	± 1 mm (≥ 90% touching area)
Touch Resolution	32768 x 32768
Built-in System	
Operation System	Android 13.0
Memory	8 GB
Built-in Storage	64 GB
CPU	Cortex-A55 x 4 (1.92GHz)
GPU	Mali-G52 MP2 (2EE)
Internal Function	
Loudspeaker	Built-in 2 ×15 W+25W (woofer) loudspeaker;
Bluetooth	Built-in BLE (Bluetooth Low Energy) module supports Bluetooth 5.1
Interface	
Video & Audio Input	HDMI In (HDMI 2.1) × 1, HDMI In (HDMI 2.0) × 2, VGA In × 1, Audio In × 1
Video & audio output	HDMI Out (HDMI 2.0) × 1, Audio Out × 1, SPDIF Out × 1
Control interface	TOUCH-USB 2.0 × 3, RS232 × 1

Network Interface	LAN (1000 Mbps) × 2 WIFI AP&Station, 2.4G/5G WIFI AP: IEEE 802.11 a/b/g/n/ac 2x2 MIMO (2.4 GHz and 5 GHz) authentication protocols WEP, WPA, WPA2, PSK and 802.1X EAP WIFI Station: IEEE 802.11 a/b/g/n/ac 1x1 MIMO (2.4 GHz and 5 GHz) authentication protocols WEP, WPA, WPA2, PSK and 802.1X EAP
Data Transmission Interface	USB 3.0 × 3, USB 2.0 × 1, Type-C × 1 (Type-C supports USB 2.0, DP 1.2, and 65W charging)
HDCP Version	Front and side HDMI 2 support 1.4/2.2/2.3
<b>Power</b>	
Standby Consumption	0.5 W
Max. Consumption	510W
Average Consumption	210W
<b>General</b>	
VESA	800 mm × 400 mm (4 × M8-25 mm)
Power Supply	100 to 240 VAC, 50/60 Hz
Product dimensions	1713.2 mm × 1019 mm × 82.5 mm
Accessory	Wall mount bracket, hook, user manual, touch writing pen, packing list, 3M touch USB cable, 3M HDMI cable (2.0), 1.5m power cable (European standard), Bluetooth remote control.
Package Dimensions (W × H × D)	1907 mm × 1160 mm × 223 mm
Net Weight	49.23 kg
Gross Weight	65.62 kg
NFC	Support screen mirroring by Android phones.
<b>Working Environment</b>	
Working Temperature	0 °C to 40 °C (32 °F to 104°F)
Working Humidity	10%~90% RH

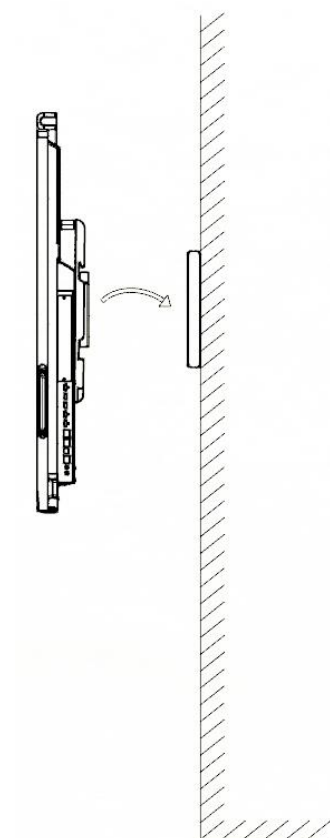
## Physical Interface

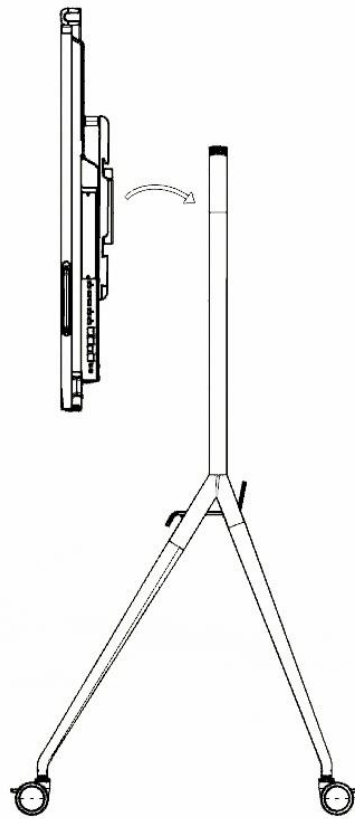


Interface	Description	Interface	Description
1.SPDIFF	SPDIF interface	2.Line OUT	Audio output interface
3.Line IN	Audio input interface	4.VGA IN	Video devices connection

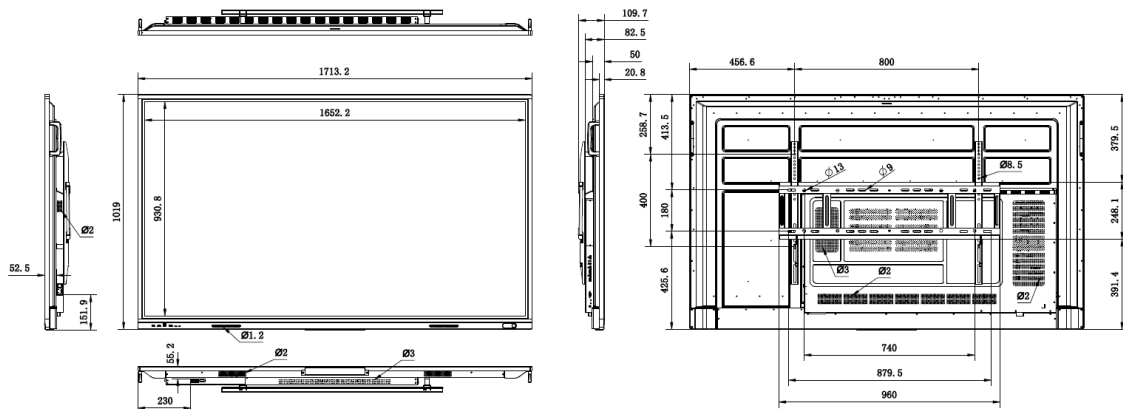
			interface
5.TOUCH-USB 2	Peripheral touch interface	6.HDMI IN 2	HDMI 2 input interface
7.TOUCH-USB 1	Peripheral touch interface	8.HDMI IN 1	HDMI 1 input interface
9.USB	USB interface	10.MULTI-USB 1	Multi-functional USB interface
11.HDMI OUT	HDMI output interface	12.RS232	RS-232 debug serial port
13.LAN 1	Network interface 1	14.LAN 2	Network interface 2
I .MULTI-USB 2	Multi-functional USB interface	II .MULTI-USB 3	Multi-functional USB interface
III.TOUCH-USB 3	Peripheral touch interface	IV .HDMI IN 3	HDMI 3 input interface
V .TYPE-C	Type-C interface	VI.Light sensor	Light sensor interface

▪ **Installation**





▪ Dimension



▪ **Accessory**

▪ **Optional**

<b>DS-D5AC11T7-16S5 OPS Module</b>	<b>DS-D5AC11T5-8S2 OPS Module</b>	<b>DS-D5SC3B-B Wireless Dongle</b>	<b>DS-D5SC3B-W Wireless Dongle</b>
			

**Headquarters**

No.555 Qianmo Road, Binjiang District,  
Hangzhou 310051, China  
T +86-571-8807-5998  
www.hikvision.com



Follow us on social media to get the latest product and solution information.

