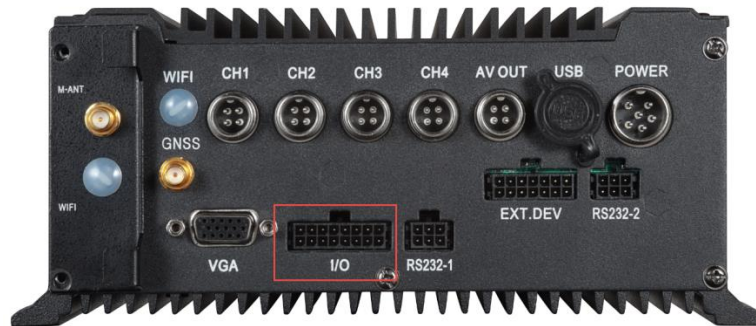


<b>Title:</b>	How to Connect the Cables of Alarm Input& Output Of MVR	<b>Version:</b>	v1.0	<b>Date:</b>	8/8/2019
<b>Product:</b>	MVR			<b>Page:</b>	1 of 3

## How to configure the G-sensor function of MVR

### 1. Introduction and definition of the Alarm Input/output

1) The alarm input/output interface is highlighted with red line;



The rear panel of MVR

2) The labels of the alarm cable have two types, old labels and the new labels used now;



Alarm Cable

3) The definition of the Alarm Input/output

No.	Old Labels	New Labels	Function	
			DS-M5504HMI,DS-M5504HMI-SD, DS-M7504,DS-MP3504-SD DS-M5504HNI,DS-M7508HNI	DS-MP7508 , DS-MP-5504 , DS-5504HMT , DS-MP7608HN
1	ALARM 1	ALARM_IN 1	Alarm Input	
2	ALARM 2	ALARM_IN 2	Alarm Input	
3	ALARM 3	ALARM_IN 3	Alarm Input	
4	ALARM	BRAKE	Brake signal input	

<b>Title:</b>	How to Connect the Cables of Alarm Input& Output Of MVR	<b>Version:</b>	v1.0	<b>Date:</b>	8/8/2019
<b>Product:</b>	MVR			<b>Page:</b>	2 of 3

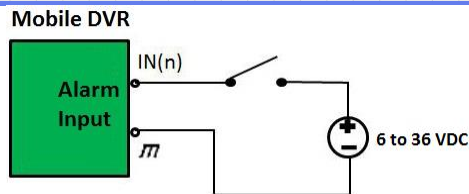
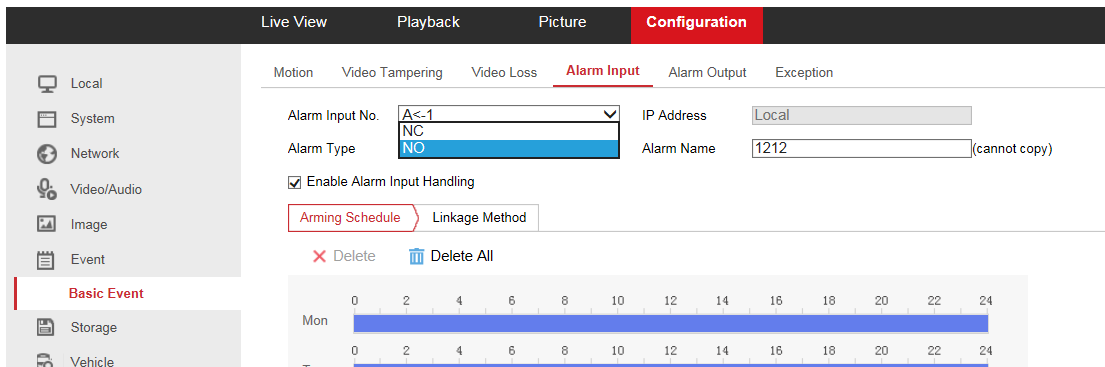
	4			
5	ALARM 5	TURN LEFT	Turn left signal input	
6	ALARM 6	TURN RIGHT	Turn right signal input	
7	ALARM 7	ROLL BACK	Roll back signal input	
8	ALARM 8	PULSE	Reserved pulse signal input	
9	12V	12V	12V Power supply	
10	GND	GND	GND	
11	A1	ALARM_OUT1	single-pole double-throw switch Default switch status of MDVR: Normal Open (between Line 11 and Line 12), Normal Closed (between Line 12 and Line13)	single-pole single-throw switch Default switch status : Normal Open (between Line 11 and Line 12), OR Normal Closed (between Line 11 and Line12)
12	B1	ALARM_OUT1#	OR Normal Closed(between Line 11 and Line 12), Normal Open(between Line 12 and Line13)	Alarm input
13	C1	ALARM_IN4	Normal Closed (between Line 14 and Line 15), Normal Open (between Line 15 and Line16)	
14	A2	ALARM_OUT2	single-pole double-throw switch Default switch status of MDVR: Normal Closed (between Line 14 and Line 15), Normal Open (between Line 15 and Line16)	single-pole single-throw switch Default switch status : Normal Open (between Line 14 and Line 15), OR Normal Closed (between Line 14 and Line15)
15	B2	ALARM_OUT2#	OR Normal Open (between Line 14 and Line 15), Normal Closed (between Line 15 and Line16)	Button Alarm
16	C2	Button	Normal Closed (between Line 15 and Line16)	

## 2. Alarm Input & Alarm output cable connection

### 1) Alarm Input cable Connection:

MVR (mobile video recorder) adopts the high/low-level electrical signals (high level triggering voltage: 6 to 36 VDC; low level triggering voltage: 0 to 5 VDC) to trigger an alarm input. In order to avoid error report caused by voltage fluctuation, no alarm will be triggered by voltage ranging of 5 to 6 VDC. Customer can configure the Alarm Type to be NC or NO according to the alarm input signal type;

<b>Title:</b>	How to Connect the Cables of Alarm Input& Output Of MVR	<b>Version:</b>	v1.0	<b>Date:</b>	8/8/2019
<b>Product:</b>	MVR			<b>Page:</b>	3 of 3



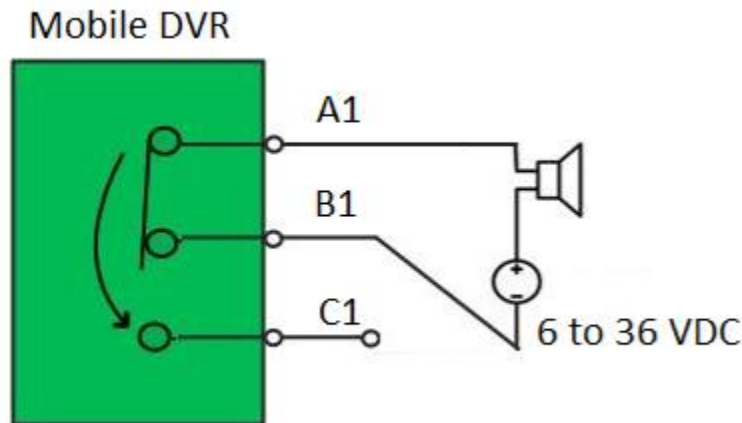
Alarm Input Connection (High level triggering)

## 2) Alarm Output Connection:

An alarm output device with power supply is needed. Customer can connect the alarm output device to A1 and B1 or B1 and C1 according to the alarm output device type, Normal Open or Normal Closed;

Take Normal Open alarm output device for example:

The connection status between A1 and B1 of the mobile DVR is normal open. When an alarm output is triggered, the connection status between A1 and B1 will changed to be closed for about 10s , then it will resume to normal open;



Alarm Output Connection



<b>Title:</b>	How to Connect the Cables of Alarm Input& Output Of MVR	<b>Version:</b>	v1.0	<b>Date:</b>	8/8/2019
<b>Product:</b>	MVR			<b>Page:</b>	4 of 3

**First Choice for Security Professionals**  
**HIKVISION Technical Support**