

HIKVISION[®]

**REAL SECURITY,
REALLY CONVENIENT**

SECOND GENERATION
IP VIDEO INTERCOM SYSTEM

WITH HIKVISION AS YOUR PARTNER, YOU WILL STAND ON A SOLID FOUNDATION.

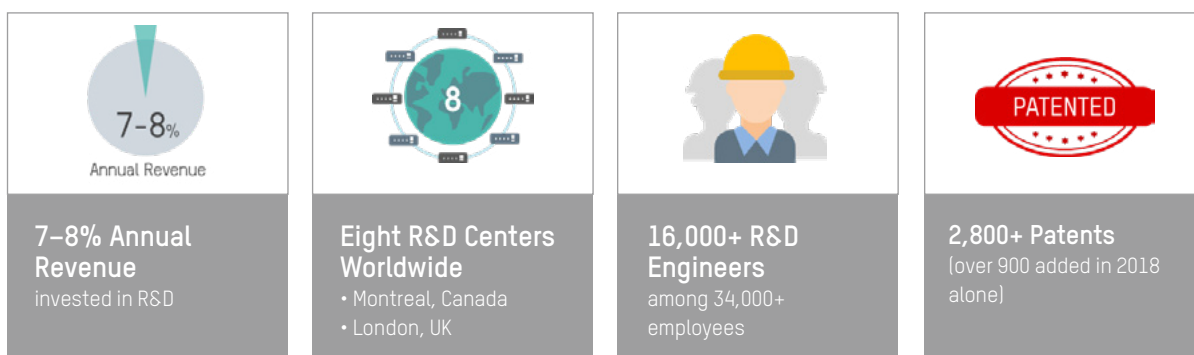
Hikvision is a world leading provider of security products and solutions. Featuring an extensive and highly skilled R&D workforce, Hikvision manufactures a full suite of comprehensive products and solutions for a broad range of vertical markets. In addition to the security industry, Hikvision extends its reach to smart home tech, industrial automation, and automotive electronics industries to achieve its long-term vision. Hikvision products also provide powerful business intelligence for end users, which can enable more efficient operations and greater commercial success. The outstanding capabilities and performance of Hikvision in the security and video security industries have been recognized by leading analyst firms and global awards.



From the early digital age to today's intelligence era, we have seized every opportunity to advance the industry with our innovative technologies.

Hikvision's core technologies include: visual perception, cloud storage, big data, cross-media perception and reasoning, video codec, streaming media networking and management, audio and video data storage, embedded systems development.

As the pioneer in AI technology, Hikvision established an algorithm team for AI technology research in 2006. During this decade, Hikvision first launched deep learning-based servers then expand to a comprehensive range of AI products in 2016. Based on the continually researches and practices, Hikvision developed the AI Cloud structure and ranked No.1 in various global Artificial Intelligence contests.



HIGHLIGHTS

OF THE IP VIDEO INTERCOM SYSTEM

IP Video Intercom

Excellent Image Quality

- Fisheye camera, 2 MP, WDR, Night Vision

Easy Controls & Multiple Applications

- Mobile control / Access control / Elevator control / Dual lock control
- Public password / Duress password / Message / Do not disturb / Custom ringtone / More

Flexible Combinations

- Expansion-ready with various modules
- Multiple installation frames

Elegant Utilitarian Design

- Artistic industrial design
- Reddot Award winner (indoor station)
- Designed for accessibility

CCTV Integration

- All-in-one client management
- Video recording to DVRs / NVRs
- IP camera monitoring

2-Wire Video Intercom

Excellent Image Quality

- Fisheye camera, 2 MP, WDR, Night Vision

Easy Controls & Multiple Applications

- Mobile control / Access control / Dual lock control
- Public password / Duress password / Message / Do not disturb / Custom ringtone

Easy Installation

- Can work with existing wiring
- Long-distance transmission

User Friendly Design

- Touch screen, call-log status, image capture
- Expansion-ready with various modules

CCTV Integration

- All-in-one client management
- Video recording to DVRs / NVRs
- IP camera monitoring





MODULAR DOOR STATION

Hikvision's modular intercom products excel at convenient installation and flexible expansion capabilities. The complete package features a main module with several extension modules ranging from the traditional nametag and keypad module to card readers and display modules, providing an abundance of functionality to customers.



Standard PoE
(IP Version)



2 MP Camera with 180° Wide
Angle and WDR



Driveway and Door Access
Control



2-wire Version



Backlight function



Bigger Nametag



Sleek Designs



Extensive Modularity

INDOOR STATION

These indoor stations received great comments for their clean and simple designs and for an excellent interactive experience. The 7-inch Ultra Series Indoor Station won the Reddot Award in 2017. The indoor stations support standard PoE (IP Version), 2-wire technology, and wall-mounted installation. The wireless connectivity makes installation and configuration quick and easy.



Ultra Series Indoor Station
7-inch
(IP Version)



Pro Series Indoor Station
7-inch
(IP Version)



Ultra Series Indoor Station
10-inch
(IP Version)



Pro Series Indoor Station
7-inch
(2-wire Version)



2-wire Version



Standard PoE
(IP Version)



Link with Alarm Sensors



32 GB SD Card



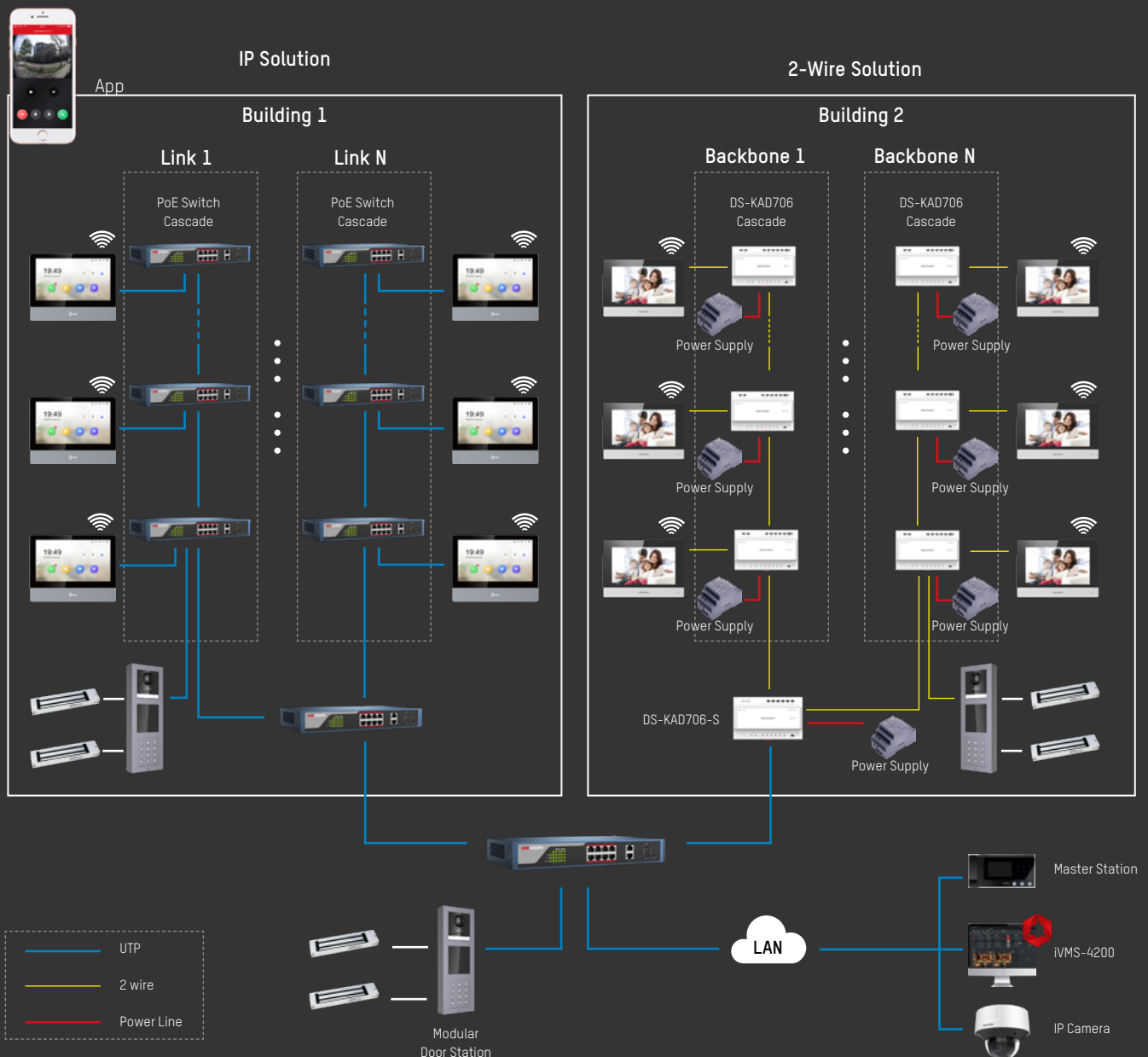
User-friendly Interface



Touch Screen
with 1024 * 600 Resolution

APARTMENT SOLUTION

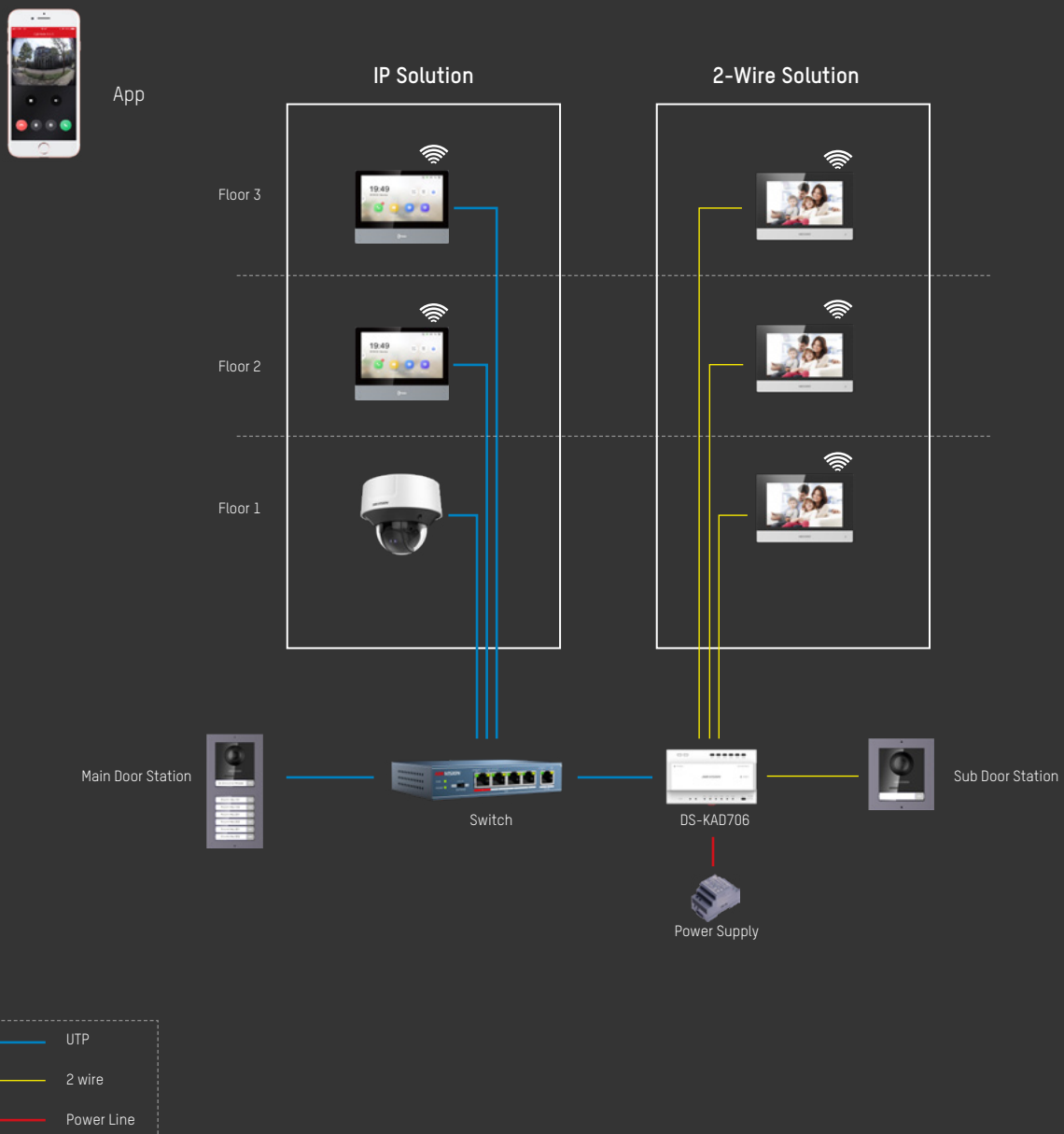
Hikvision offers apartment solutions based on different technologies for various needs. For new apartments, IP solution based on standard PoE design is simple and convenient. For older buildings that lack proper network infrastructure, the 2-wire solution enables the re-usage of existing wiring. Multiple door stations can be installed for one building and residents can unlock them using card or password. Integration with an elevator control system makes the entire system even more secure. Hikvision's IP Video Intercom Apartment Solution is a top choice for intercom and security system in buildings.



VILLA SOLUTION

The villa solution provides thoughtful, useful functions for every member of the home. Users can call multiple indoor stations at the same time and unlock a door at any of the indoor stations. They can also receive all call information and unlock doors remotely and conveniently using the app on a mobile device.

The fisheye camera on the door station renders images clearly both day and night. With the record-to-NVR function, users can check on what's happening at their doorstep. To make this system even better, integrate it with Hikvision's CCTV system, allowing indoor stations to display any IP camera installed around your house. Security and convenience come together in this IP Video Intercom Villa Solution.



EASY MANAGEMENT



Mobile Application



Hik-Connect

Key Benefits

- Control your door remotely with use of the HikConnect mobile app
- Check and play back video of visitors while away
- Manage all your house security solutions with one free service app
- Maintain and adjust basic functions using the mobile app
- Share the account with family members

Central Management Software



iVMS-4200

Key Benefits

- Free Hikvision application manages all devices
- Modular system to select application features you need
- Available modules for Video Security, Intercom, Access Control, and Intrusion Detection
- Alarm notifications module for instant monitoring
- Community notifications to keep the tenants informed
- Single database manages all access control devices



PRODUCT SHOWCASE

IP Video Intercom



DS-KD8003-IME1

Main Unit

- 2 MP HD Colorful Camera
- Fisheye (Horizontal: 180°, Vertical:96°)
- IR Supplement
- IP65
- 12V DC or Standard PoE



DS-KH6320-TE1

Pro Series Indoor Station

- 7-inch Colorful TFT LCD
- Display resolution: 1024 x 600
- 10 / 100 Mbps Ethernet
- Standard PoE (IEEE802.3af) / 12V DC
- TF card, max 32GB
- 8-ch alarm input



DS-KH6320-WTE1

Pro Series Indoor Station

- 7-inch Colorful TFT LCD
- Display resolution: 1024 x 600
- 10 / 100 Mbps Ethernet, Wi-Fi 802.11b/g/n
- Standard PoE (IEEE802.3af) / 12V DC
- TF card, max 32GB
- 8-ch alarm input, 2 x alarm relays, 1 x RS-485



DS-KH8350-TE1

Ultra Series Indoor Station

- 7-inch Colorful TFT LCD
- Display resolution: 1024 x 600
- 10 / 100 Mbps Ethernet
- Standard PoE (IEEE802.3af) / 12V DC
- TF card, max 32GB
- 8-ch alarm input



DS-KH8350-WTE1

Ultra Series Indoor Station

- 7-inch Colorful TFT LCD
- Display resolution: 1024 x 600
- 10 / 100 Mbps Ethernet, Wi-Fi 802.11b/g/n
- Standard PoE (IEEE802.3af) / 12V DC
- TF card, max 32GB
- 8-ch alarm input, 2 x alarm output, 1 x RS-485



DS-KH8520-WTE1

Ultra Series Indoor Station

- 10-inch Colorful TFT LCD
- Display resolution: 1024 x 600
- 10 / 100 Mbps Ethernet, Wi-Fi 802.11b/g/n
- Standard PoE (IEEE802.3af) / 12V DC
- TF card, max 32GB
- 8-ch alarm input, 2 x alarm relays, 1 x RS-485

2-Wire Video Intercom



DS-KD8003-IME2

Main Unit

- 2MP HD Colorful Camera,
- Fish eye (Horizontal: 180°, Vertical:96°),
- IR Supplement ,
- Module connection with RS-485 ,
- 4-ch alarm input
- IP65, Two -wire interface



DS-KH6320-WTE2

Pro Series Indoor Station

- 7-inch Colorful TFT LCD
- High display resolution: 1024 * 600
- Wi-Fi Connection
- Two -wire interface
- TF card, max 32G
- 8-ch alarm input, 2xalarm output



DS-KAD706

Distributor

- 6 Two-Wire Interface for connection and power supply
- Support up to 15 level cascading
- Din rail mounting, 24VDC



DS-KAD706-S

Aggregation Distributor

- 6 Two-Wire Interface for connection
- Din rail mounting, 24VDC



DS-KAW60-2N

Power Adapter

- Power supply for DS-KAD706 & DS-KAD706-S
- Output: 24 VDC, 60W
- Din rail mounting

Extension Module



DS-KD-KP
Keypad Module

- IP65
- Backlight function
- Blind spot design



DS-KD-BK
Blank Module

- IP65



DS-KD-M
MIFARE 1 Card Reader Module

- 13.56 MHz
- IP65
- Backlight function



DS-KD-KK
Nametag Module

- With 6 call buttons
- IP65
- Backlight function



DS-KD-DIS
Display Module

- 3.5-inch LCD
- IP65
- Backlight function



DS-KD-IN
Indicator Module

- IP65
- Backlight function

Installation Frame



DS-KD-ACW1
Single Module Accessories

- Used for surface mounting
- Aviation aluminum



DS-KD-ACW2
Dual Modules Accessories

- Used for surface mounting
- Aviation aluminum



DS-KD-ACW3
Three Modules Accessories

- Used for surface mounting
- Aviation aluminum



DS-KD-ACF1/Plastic
Single Module Accessories

- Used for flush mounting
- Aviation aluminum



DS-KD-ACF2/Plastic
Dual Modules Accessories

- Used for flush mounting
- Aviation aluminum



DS-KD-ACF3/Plastic
Three Modules Accessories

- Used for flush mounting
- Aviation aluminum

TRANSMISSION DISTANCE

When Modular Door Station and Indoor Stations are powered by a standalone power supply, the power line cable distance is:

Cable specification	18 AWG	20 AWG	24 AWG
DS-KH8350 series	50 m	30 m	15 m
DS-KH8520WTE1 series	50 m	30 m	15 m
DS-KH6320 series	50 m	30 m	15 m
1 main unit + 7 extension modules	35 m	25 m	8 m

*Note: The data transmission distance between Modular Door Station and switch, as well as between Indoor Stations, is 100 m. This result is for reference only, actual distance may vary.

When Modular Door Station and Indoor Station are powered by standard PoE switch, the transmission distance is:

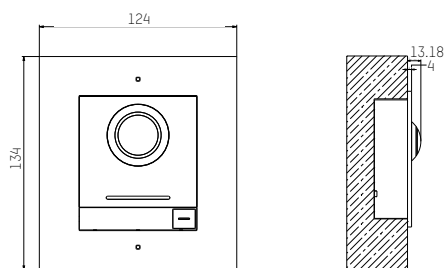
Cable specification	1LN5EU-G/CCA	1LN5E-S	1LN6-UU
DS-KH8350 series	100 m	100 m	100 m
DS-KH8520WTE1 series	100 m	100 m	100 m
DS-KH6320 series	100 m	100 m	100 m
1 main unit + 7 extension modules	60 m	80 m	100 m

*Note: The above data are obtained by tests using Hikvision Cable and under the situation of one Door Station and one Indoor Station. This result is for reference only, actual distance may vary.

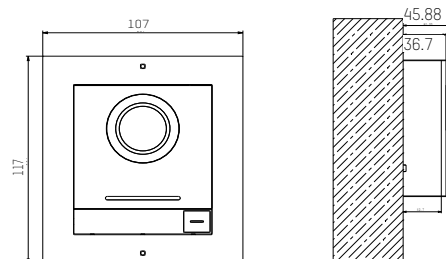
Long Transmission Distance

Cable specification	24 AWG (0.2 mm ² , 9 Ω/100 m) Twisted pair	20 AWG (0.5 mm ² , 3.5 Ω/100 m) Twisted pair	18 AWG (0.8 mm ² , 2.5 Ω/100 m) Twisted pair	16 AWG (1 mm ² , 1.5 Ω/100 m) Twisted pair	24 AWG (0.2 mm ² , 9 Ω/100 m) Parallel lines	20 AWG (0.5 mm ² , 3.5 Ω/100 m) Parallel lines	18 AWG (0.8 mm ² , 2.5 Ω/100 m) Parallel lines	16 AWG (1 mm ² , 1.5 Ω/100 m) Parallel lines
DS-KAD706-S to DS-KAD706	≤60 m	≤60 m	≤60 m	≤50 m	N/A	≤35 m		N/A
DS-KAD706 to DS-KAD706	≤60 m	≤60 m	≤60 m	≤50 m	N/A	≤35 m		N/A
DS-KAD706 to DS-KD8003-IME2	≤35 m	≤60 m	≤60 m	≤50 m	N/A	≤35 m		N/A
DS-KAD706 to DS-KH6320-WTE2	≤35 m	≤100 m	≤100 m	≤100 m	≤50 m	≤100 m	≤100 m	≤100 m

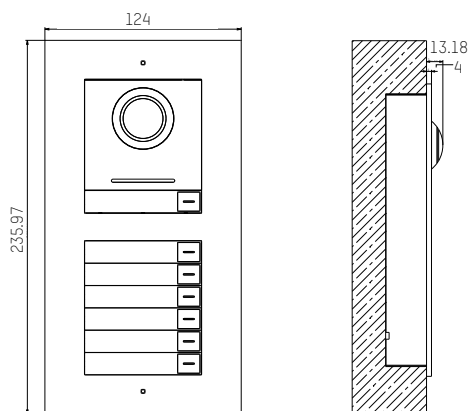
DIMENSIONAL REFERENCE FOR INSTALLATION



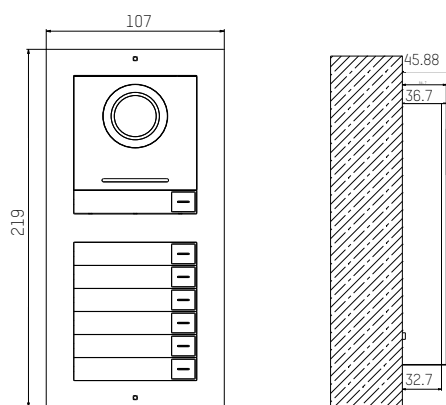
Single Module Flush Mounting



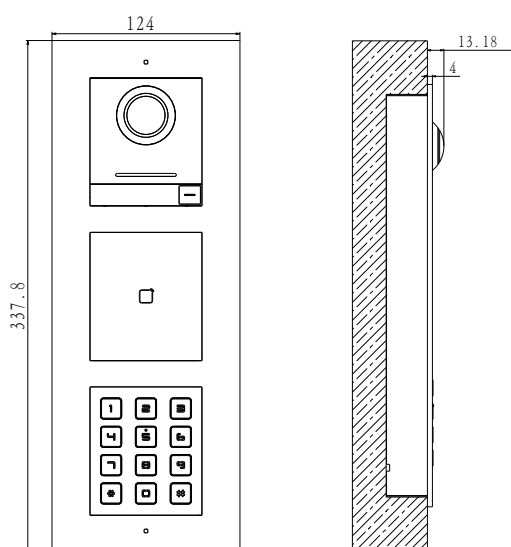
Single Module Surface Mounting



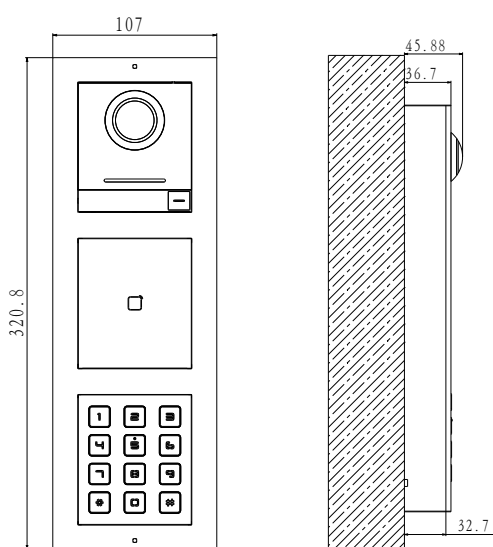
Dual Modules Flush Mounting



Dual Modules Surface Mounting



Three Modules Flush Mounting



Three Modules Surface Mounting

Unit: mm

Unit: mm

REAL SECURITY, REALLY CONVENIENT
SECOND GENERATION
IP VIDEO INTERCOM SYSTEM

Distributed by



Follow us on social media to get the latest product and solution information



Hikvision



Hikvision_Global



HikvisionHQ



Hikvision



HikvisionHQ



Hikvision Corporate Channel



www.hikvision.com

HIKVISION®