

36.5° C

# Hikvision Elevated Skin-Temperature Solutions

A Wide Range of Solutions For Your Temperature Screening Applications

Hikvision Elevated Skin-Temperature Solutions, available in multiple product types, are designed to detect elevated or abnormal skin-surface temperatures to enable rapid and safe preliminary temperature screening with high accuracy in a multitude of scenarios.

- Low Resolution Cameras
- High Resolution Cameras
- Handheld Cameras
- Accessories



## Pain Points of Conventional Methods

Conventional methods that do not use preliminary screening have several disadvantages:



### Close Contact, High Risk

Close contact with individuals leads to potential risks



### High Cost, Low Efficiency

Increased staff required, and one-to-one inspection is inefficient and costly



### Added Expenses

Continual replacement of personal protective equipment (PPE) is required

## We Offer a Better Approach

An approach that incorporates competent technologies, offers many advantages:



### Safer

Non-contact measurement to avoid physical contact



### Faster

One second per person for skin-surface temperature detection



### Smarter

Smart detection, greatly reducing false alarms\*  
*\* Smart detection is not available on handheld models.*

## Advantages of Thermal Technology

- Smart detection ensures thermographic cameras only detect human skin-surface temperature to reduce false alarms caused by other heat sources such as a cup of coffee.
- Advanced algorithms ensure the temperature is compensated with ambient temperature and the distance of the measured target for better accuracy.
- Thermal technology is ideal for temperature screening in a variety of applications, offering flexibility and efficiency in preliminary screening of elevated skin-surface temperatures.



## Elevated Skin-Surface Temperature Detection Process



Enter detection area



Perform human skin-surface temperature measurement  
Immediate preliminary temperature screening without contact



Discover potential abnormal temperatures



Perform a secondary check conducted by qualified personnel using approved medical devices.

# Solution Overview

## Operation Tips

- Install the devices in a stable indoor environment without wind or direct sunlight
- Set up a specific temperature measurement zone
- If abnormal skin-surface temperature is detected, qualified personnel using approved medical devices should perform a secondary check
- Please ensure operation meets local privacy laws and regulations

## Temperature Screening with Fast Deployment



**Thermographic Cameras**

Visualized bi-spectrum live view



**Wireless Devices**

Easy connection, cable-free real-time sound and light alarm

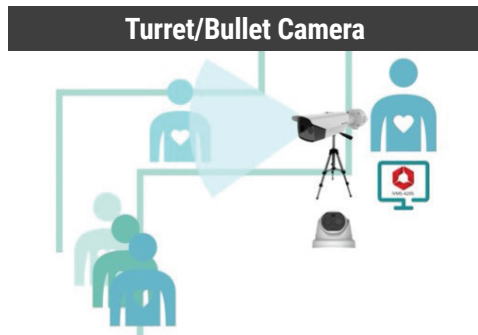


**Stand-Alone Handheld Device**

Ideal for immediate screening on-site  
\* May require use of PPE

Flexible product choice for a variety of temperature screening applications.

## Temperature Screening Packages



**Turret/Bullet Camera**

iVMS-4200 + Laptop + Tripod/Bracket  
Accuracy:  $\pm 0.5^{\circ}\text{C}$

The turret/bullet camera uses human body detection technology to reduce false alarms caused by other heat sources.



**Turret/Bullet Camera + Blackbody Calibrator**

iVMS-4200 + Laptop + Tripod/Bracket  
Accuracy:  $\pm 0.3^{\circ}\text{C}$

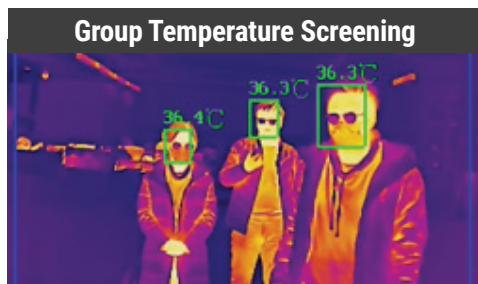
This solution is enhanced with a blackbody calibrator to increase accuracy from  $\pm 0.5^{\circ}\text{C}$  to  $\pm 0.3^{\circ}\text{C}$ .



**Handheld Camera**

iVMS-4200 or Hik-Thermal (app) + Tripod  
Accuracy:  $\pm 0.5^{\circ}\text{C}$

With a Wi-Fi module, the handheld camera can connect to a PC or a smartphone. It also features a built-in speaker or audio for alarm.



**Group Temperature Screening**

Group Screening with High Efficiency

Thermographic Bullet Camera  
Supports simultaneous temperature screening for multiple people at one time, greatly enhancing efficiency (Up to 30 people)



**Temperature Screening on Patrol**

Anytime, Anywhere, Just One Click

Thermographic Handheld Camera  
Supports immediate detection and preliminary screening avoiding unnecessary physical contact



**Manage Cameras From A Safe Distance**

No Contact Necessary

Use an I-Series NVR (DS-7608NI-I2/8P) or PC Laptop with iVMS-4200 software to manage the cameras from a safe distance.

Toll-Free: +1 866-200-6690 (U.S. and Canada) | Connect with us: [Twitter](#) [Facebook](#) [LinkedIn](#) [YouTube](#) [Instagram](#) | [ca.hikvision.com](http://ca.hikvision.com)

**HIKVISION**

Disclaimer: Hikvision's Thermographic Cameras are designed for immediate detection and preliminary screening of elevated skin-surface temperature in high-traffic areas. When measuring core body temperature, please verify through the use of clinical measurement devices and/or by consulting a medical professional. Hikvision's Thermographic Cameras must be used in accordance with local laws and regulations.

# Product Showcase

## Thermographic Cameras

### Thermographic Bullet Camera

DS-2TD2636B-13/P



- Thermal resolution: 384 x 288
- Thermal lens: 13 mm
- Optical: 2688 x 1520
- Optical lens: 6 mm
- Accuracy:  $\pm 0.5^{\circ}\text{C}$  ( $\pm 0.3^{\circ}\text{C}$  with blackbody)
- Measurement range:  $30^{\circ}\text{C}$  to  $45^{\circ}\text{C}$  ( $86^{\circ}\text{F}$  to  $113^{\circ}\text{F}$ )
- Operating temperature:  $10^{\circ}\text{C}$  to  $35^{\circ}\text{C}$  ( $50^{\circ}\text{F}$  to  $95^{\circ}\text{F}$ )
- Human body detection technology, false alarm reduction
- Simultaneous temperature screening for multiple people (Up to 30 people)

### Thermographic Turret Camera

DS-2TD1217B-3PA



- Thermal resolution:  $160 \times 120$
- Thermal lens: 3 mm
- Optical:  $2688 \times 1520$
- Optical lens: 4 mm
- Bi-spectrum image fusion
- Accuracy:  $\pm 0.5^{\circ}\text{C}$  ( $\pm 0.3^{\circ}\text{C}$  with blackbody)
- Measurement range:  $30^{\circ}\text{C}$  to  $45^{\circ}\text{C}$  ( $86^{\circ}\text{F}$  to  $113^{\circ}\text{F}$ )
- Supports audio alarms
- Operating temperature:  $10^{\circ}\text{C}$  to  $35^{\circ}\text{C}$  ( $50^{\circ}\text{F}$  to  $95^{\circ}\text{F}$ )
- Human body detection technology, false alarm reduction
- Simultaneous temperature screening for multiple people (Up to 30 people)

### Thermographic Bullet Camera

DS-2TD2617B-3/6PA



- Thermal resolution:  $160 \times 120$
- Thermal lens: 3 mm / 6 mm
- Optical:  $2688 \times 1520$
- Optical lens: 8 mm
- Bi-spectrum image fusion
- Accuracy:  $\pm 0.5^{\circ}\text{C}$  ( $\pm 0.3^{\circ}\text{C}$  with blackbody)
- Measurement range:  $30^{\circ}\text{C}$  to  $45^{\circ}\text{C}$  ( $86^{\circ}\text{F}$  to  $113^{\circ}\text{F}$ )
- Supports audio alarms
- Operating temperature:  $10^{\circ}\text{C}$  to  $35^{\circ}\text{C}$  ( $50^{\circ}\text{F}$  to  $95^{\circ}\text{F}$ )
- Human body detection technology, false alarm reduction
- Simultaneous temperature screening for multiple people (Up to 30 people)

### Thermographic Handheld Camera

DS-2TP21B-6AVF/W



- Thermal resolution:  $160 \times 120$
- Optical resolution:  $640 \times 480$
- Measurement range:  $30^{\circ}\text{C}$  to  $45^{\circ}\text{C}$  ( $86^{\circ}\text{F}$  to  $113^{\circ}\text{F}$ )
- Operating temperature:  $10^{\circ}\text{C}$  to  $35^{\circ}\text{C}$  ( $50^{\circ}\text{F}$  to  $95^{\circ}\text{F}$ )
- Touch screen
- Accuracy:  $\pm 0.5^{\circ}\text{C}$
- Bi-spectrum image fusion
- Supports Wi-Fi
- Supports audio alarms
- Automatic screenshots & uploading
- Removable, rechargeable Li-ion battery
- Up to 4 to 5 hours continuous operation

### Thermographic Handheld Camera

DS-2TP31B-3AUF



- High sensitivity sensor with  $160 \times 120$  resolution
- High quality  $320 \times 240$  resolution 2.4" LCD display
- Up to 4 palettes
- Wide temperature measurement range:  $30^{\circ}\text{C}$  to  $45^{\circ}\text{C}$  ( $86^{\circ}\text{F}$  to  $113^{\circ}\text{F}$ )
- Operating temperature:  $10^{\circ}\text{C}$  to  $35^{\circ}\text{C}$  ( $50^{\circ}\text{F}$  to  $95^{\circ}\text{F}$ )
- High temperature measurement accuracy: Up to  $\pm 0.5^{\circ}\text{C}$
- Built-in rechargeable Li-ion battery
- Up to 8 hour continuous operation

### Blackbody Calibrator

DS-2TE127-G4A



- Temperature resolution:  $0.1^{\circ}\text{C}$
- Accuracy:  $\pm 0.1^{\circ}\text{C}$
- Temperature stability:  $\pm 0.1^{\circ}\text{C/h}$
- Effective emissivity:  $0.97 \pm 0.02$
- Operating temperature:  $0^{\circ}\text{C}$  to  $40^{\circ}\text{C}$

### I Series NVR

DS-7608NI-I2/8P



- Up to 8 IP Cameras Can Be Connected
- 80 Mbps Incoming Bandwidth
- 80 Mbps/256 Mbps
- HDMI Video Output up to 4K ( $3840 \times 2160$ )

## Monitors

DS-D5022QE-B	DS-D5022FC	DS-D5027UC	DS-D5032FL	DS-D5043UC
<ul style="list-style-type: none"> <li>• LED Backlit Technology with 1920x1080 resolution</li> <li>• Highly Reliable for 24/7 Use</li> <li>• View angle: <math>170^{\circ}(\text{H})/160^{\circ}(\text{V})</math></li> <li>• Image processing: 3D comb filter, 3D De-interlace, 3D noise reduction</li> <li>• Inputs: HDMI, VGA</li> <li>• Includes desktop stand</li> </ul>	<ul style="list-style-type: none"> <li>• LED Backlit Technology with 1920x1080 resolution</li> <li>• Highly Reliable for 24/7 Use</li> <li>• View angle: <math>170^{\circ}(\text{H})/160^{\circ}(\text{V})</math></li> <li>• Image processing: 3D comb filter, 3D De-interlace, 3D noise reduction</li> <li>• Inputs: HDMI, VGA, BNC, Audio in</li> <li>• Includes desktop stand</li> </ul>	<ul style="list-style-type: none"> <li>• LED Backlit Technology with Full HD 1920x1080</li> <li>• 27" LED Monitor</li> <li>• Wide View Angle: <math>178^{\circ}(\text{H})/178^{\circ}(\text{V})</math></li> <li>• Three Image Modes for Different Environments</li> </ul>	<ul style="list-style-type: none"> <li>• LED Backlit Technology with 1920x1080 resolution</li> <li>• Highly Reliable for 24/7 Use</li> <li>• View angle: <math>178^{\circ}(\text{H})/178^{\circ}(\text{V})</math></li> <li>• Inputs: HDMI, VGA, BNC, DVI, Audio in, USB</li> <li>• Metal shell</li> <li>• VESA Standard</li> </ul>	<ul style="list-style-type: none"> <li>• LED Backlit Technology with 2840x2160 resolution</li> <li>• Highly Reliable for 24/7 Use</li> <li>• View angle: <math>178^{\circ}(\text{H})/178^{\circ}(\text{V})</math></li> <li>• Inputs: HDMIx2, RS232, VGA, Audio in, USBx2</li> <li>• VESA Standard</li> </ul>

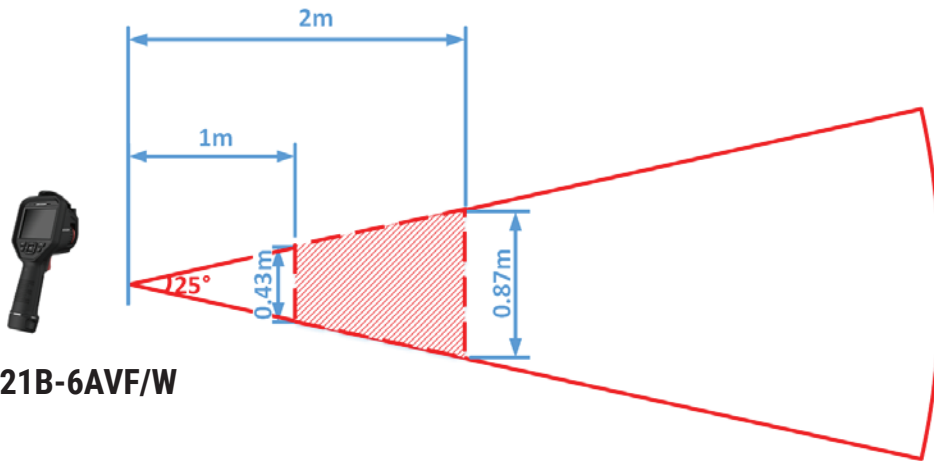


# Hikvision Thermographic Coverage Comparison Chart

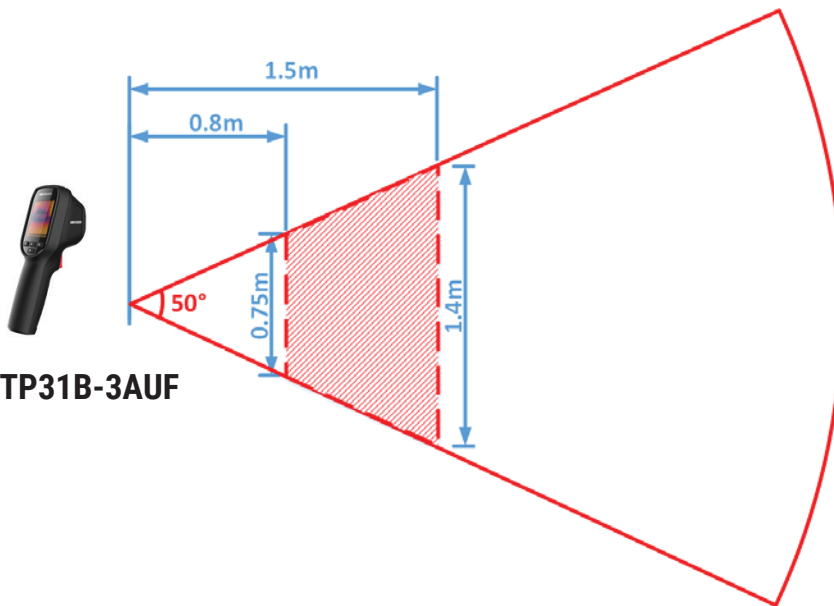
Note: Coverage may vary based on installation height and angle of view

LEGEND

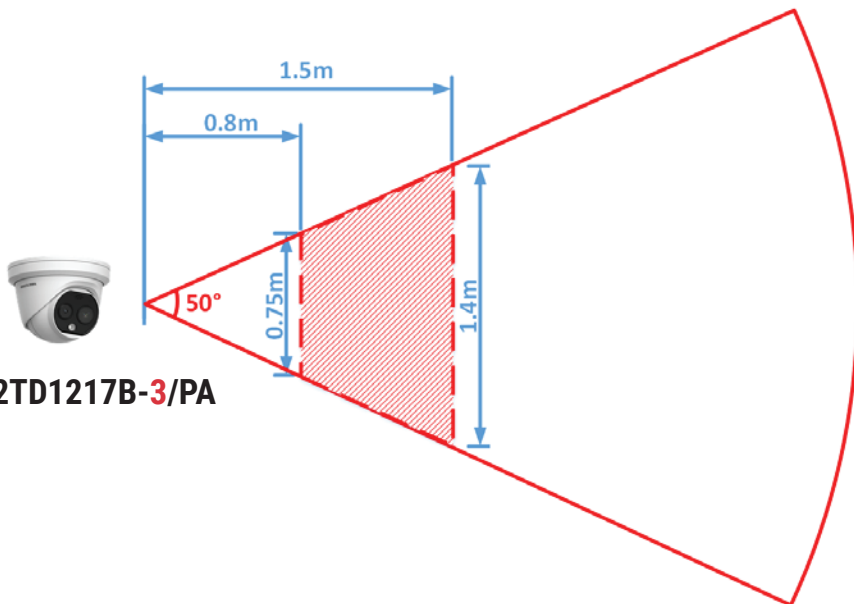
- Horizontal FOV
- Effective Detection Area



**DS-2TP21B-6AVF/W**



**DS-2TP31B-3AUF**



**DS-2TD1217B-3/PA**

# Hikvision Thermographic Coverage Comparison Chart

Note: Coverage may vary based on installation height and angle of view

LEGEND

- Horizontal FOV
- Effective Detection Area

