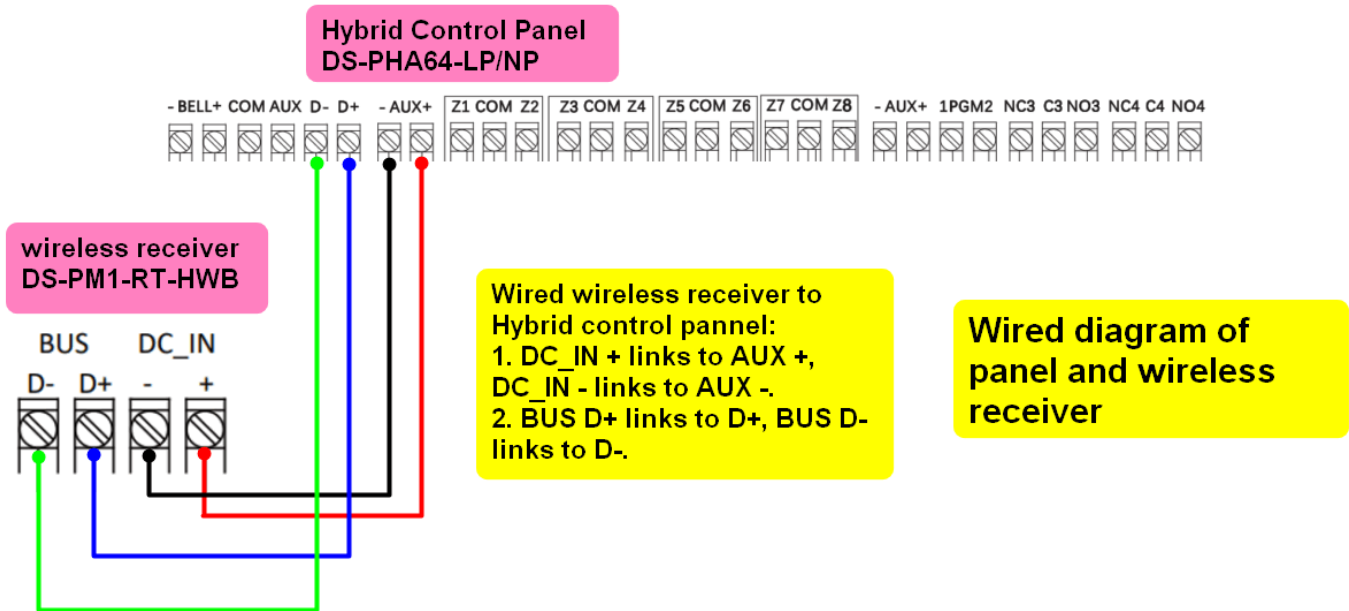


# Hikvision Hybrid Pro Wireless Receiver Wiring and Web Configuration

## Wiring



## 6-Step Web Configuration

Step 1: Connect Hybrid Pro panel to router and activate it in SADP software.

<input type="checkbox"/>	011	DS-2CD2386G2-IS...	Active	192.168.60.1...	8000	8443	V5.5.801buil...	192.168.6...	80
<input type="checkbox"/>	012	iDS-2CD7546G0-IZ...	Active	192.168.60.1...	8000	8443	V5.5.122buil...	192.168.6...	80
<input type="checkbox"/>	013	DS-KD8003-IME1	Active	192.168.60.1...	8000	N/A	V2.2.56build ...	192.168.6...	80
<input type="checkbox"/>	014	DS-KH9510-WTE1...	Active	192.168.60.1...	8000	N/A	V2.1.48build ...	192.168.6...	80
<input type="checkbox"/>	015	DS-2CD2T47G2-LS...	Active	192.168.60.2...	8000	8443	V5.7.10build ...	192.168.6...	80
<input type="checkbox"/>	016	DS-2CD7A26G0/P-...	Active	192.168.60.1...	8000	8443	V5.6.10build ...	192.168.6...	80
<input type="checkbox"/>	017	DS-7608NI-I2/BP	Active	10.199.40.95	8000	N/A	V4.40.017bui...	10.19...	80
<input type="checkbox"/>	018	DS-KV8102-VP	Active	10.199.40.78	8000	N/A	V1.5.1build 1...	10.199.40.1	80
<input type="checkbox"/>	019	DS-2CD2T45G0P-I	Active	192.168.60.24	8000	8443	V5.6.2build 1...	192.168.6...	80
<input checked="" type="checkbox"/>	021	DS-PWA96-M-WB	Active	192.168.60.1...	8000	N/A	V1.2.7build 2...	192.168.6...	80
<input type="checkbox"/>	021	DS-PHA64-W4M	Active	192.168.60.72	8000	N/A	V1.3.53build ...	192.168.6...	80
<input checked="" type="checkbox"/>	022	DS-PHA64-LP/NP	Inactive	192.168.60.2...	8000	N/A	V1.0.2build 2...	192.168.6...	80

You can modify the network parameters after the device activation.

Activate Now

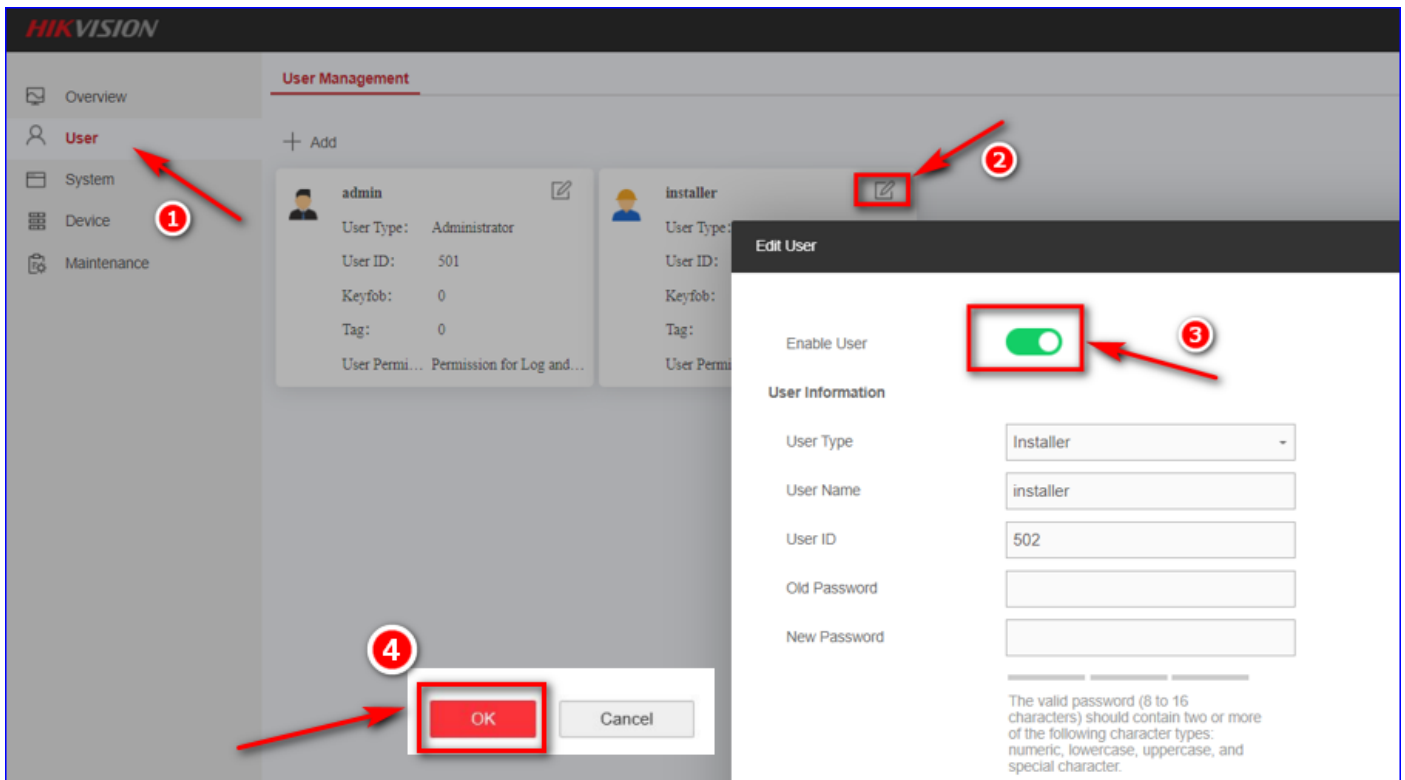
New Password:

Confirm Password:

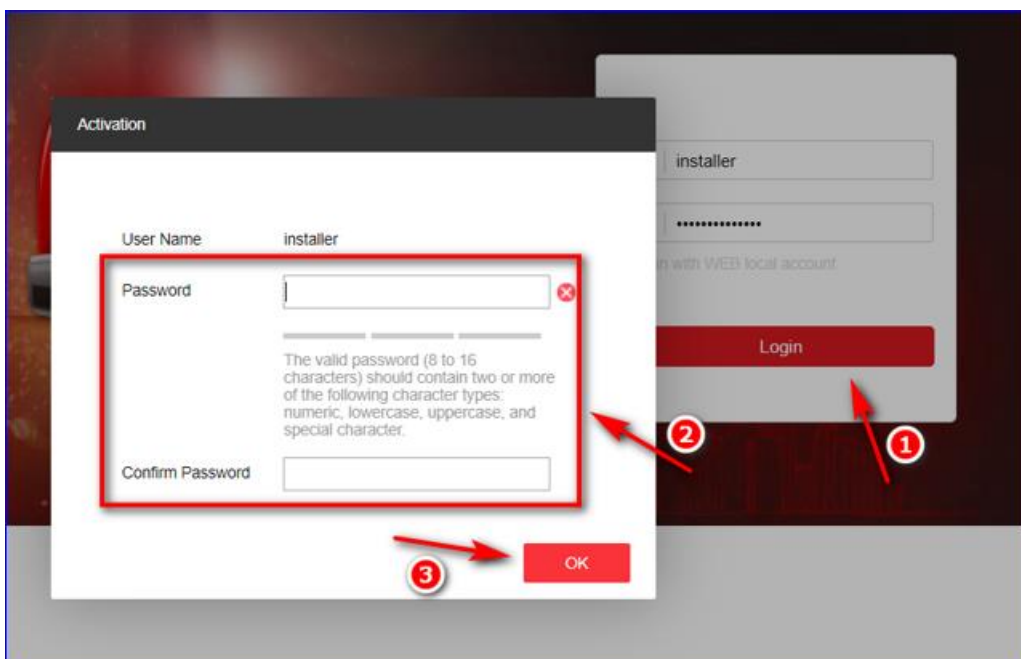
Enable Hik-Connect

Activate

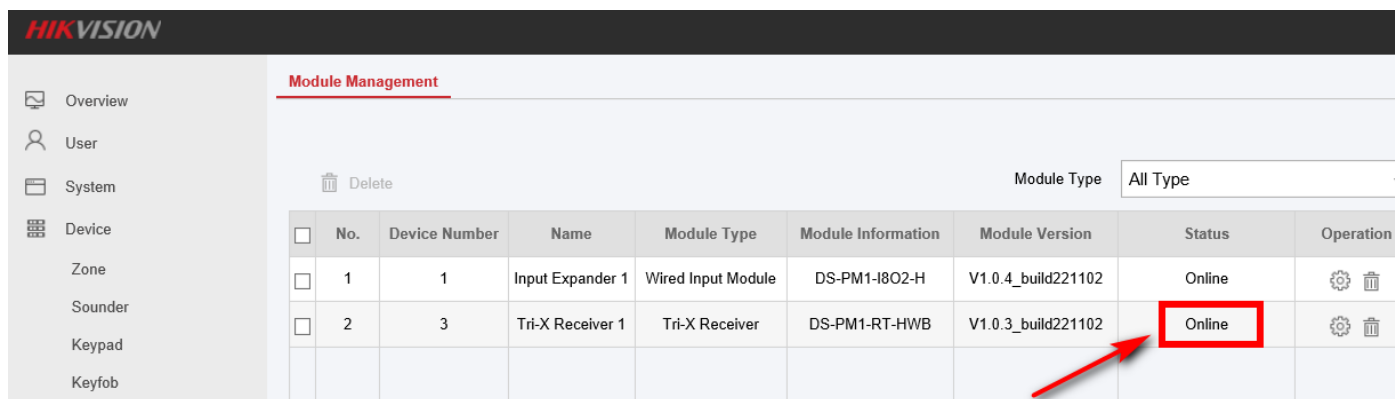
Step 2: web login Hybrid Pro and use admin account to enable the installer account, then click ok to save the change.



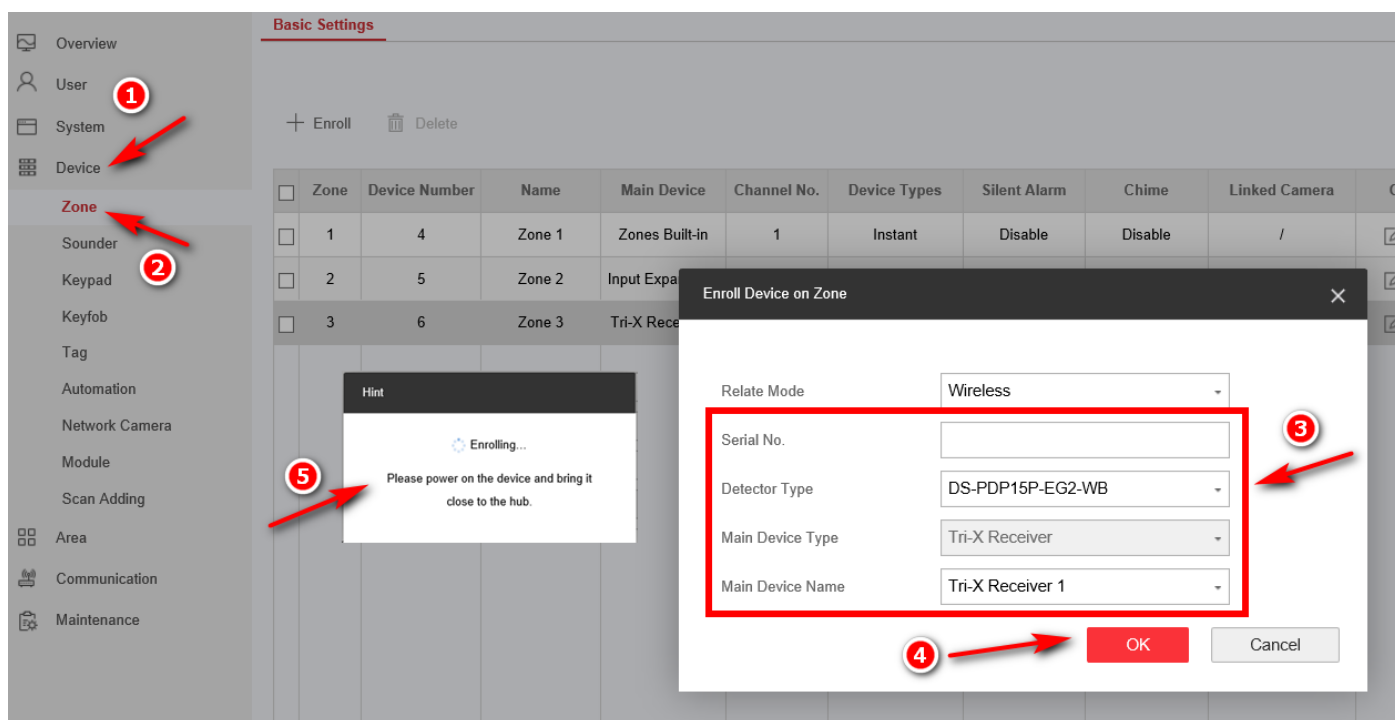
Step 3: Log out the webpage, then log in again using installer account, please be noted, the default password of the installer account is installer12345 and it will ask you to change the default password automatically.



Step 4: Check wireless receiver status to make sure it is enrolled.



Step 5: Power off the PIR, then enrol it in the web, then follow the notification to power on the PIR.



Step 6: Configure detector zone type and click 'ok', then scan QR Code to add panel to Hik-Connect or Hik-Partner Pro APP

