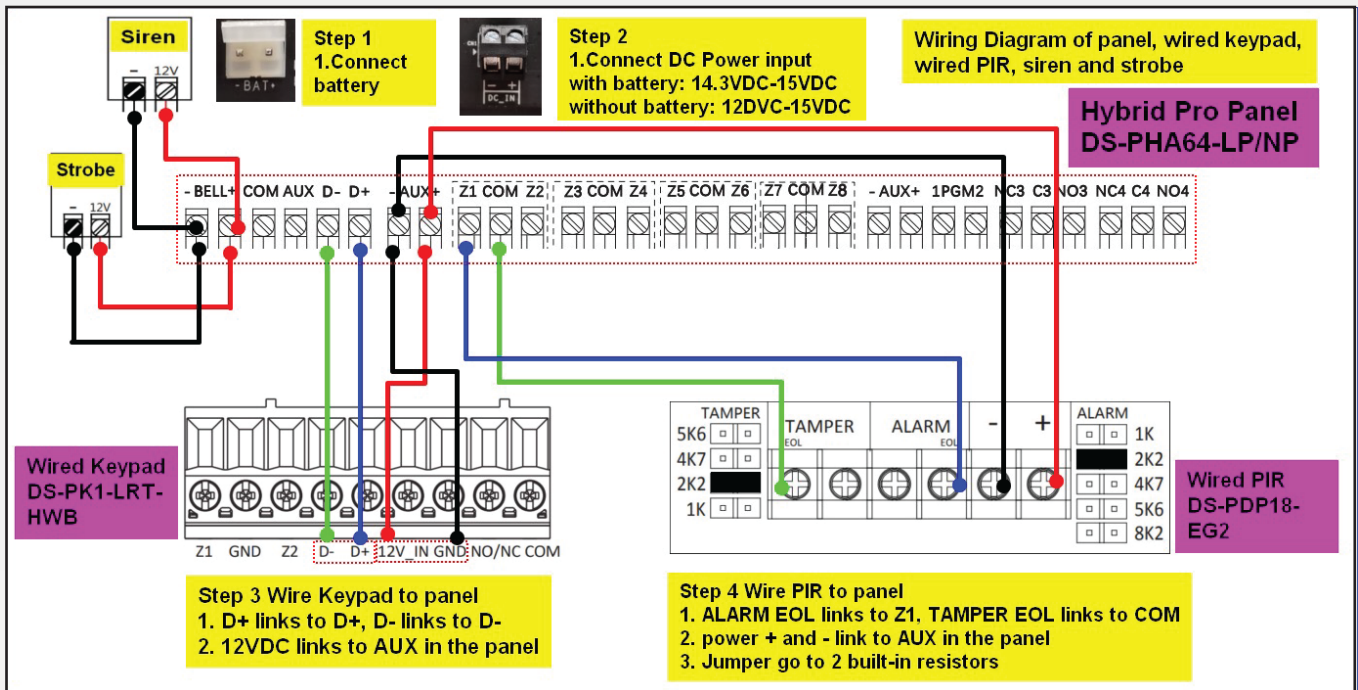


Hikvision Hybrid PRO Panel Wiring and Web Configuration

Wiring



7-Step Web Configuration

Step 1:

Connect Hybrid PRO panel to router and activate it in SADP software.

<input type="checkbox"/>	011	DS-2CD2386G2-IS...	Active	192.168.60.1...	8000	8443	V5.5.801bui...	192.168.6...	80
<input type="checkbox"/>	012	iDS-2CD7546G0-IZ...	Active	192.168.60.1...	8000	8443	V5.5.122bui...	192.168.6...	80
<input type="checkbox"/>	013	DS-KD8003-IME1	Active	192.168.60.1...	8000	N/A	V2.2.56bui...	192.168.6...	80
<input type="checkbox"/>	014	DS-KH9510-WTE1...	Active	192.168.60.1...	8000	N/A	V2.1.48bui...	192.168.6...	80
<input type="checkbox"/>	015	DS-2CD2T47G2-LS...	Active	192.168.60.2...	8000	8443	V5.7.10bui...	192.168.6...	80
<input type="checkbox"/>	016	DS-2CD7A26G0/P-...	Active	192.168.60.1...	8000	8443	V5.6.10bui...	192.168.6...	80
<input type="checkbox"/>	017	DS-7608NI-I2/8P	Active	10.199.40.95	8000	N/A	V4.40.017bui...	10.19...	80
<input type="checkbox"/>	018	DS-KV8102-VP	Active	10.199.40.78	8000	N/A	V1.5.1build 1...	10.199.40.1	80
<input type="checkbox"/>	019	DS-2CD2T45G0P-I	Active	192.168.60.24	8000	8443	V5.6.2build 1...	192.168.6...	80
<input type="checkbox"/>	021	DS-PWA96-M-WB	Active	192.168.60.1...	8000	N/A	V1.2.7build 2...	192.168.6...	80
<input checked="" type="checkbox"/>	022	DS-PHA64-LP/NP	Inactive	192.168.60.2...	8000	N/A	V1.0.2build 2...	192.168.6...	80

You can modify the network parameters after the device activation.

Activate Now

New Password:

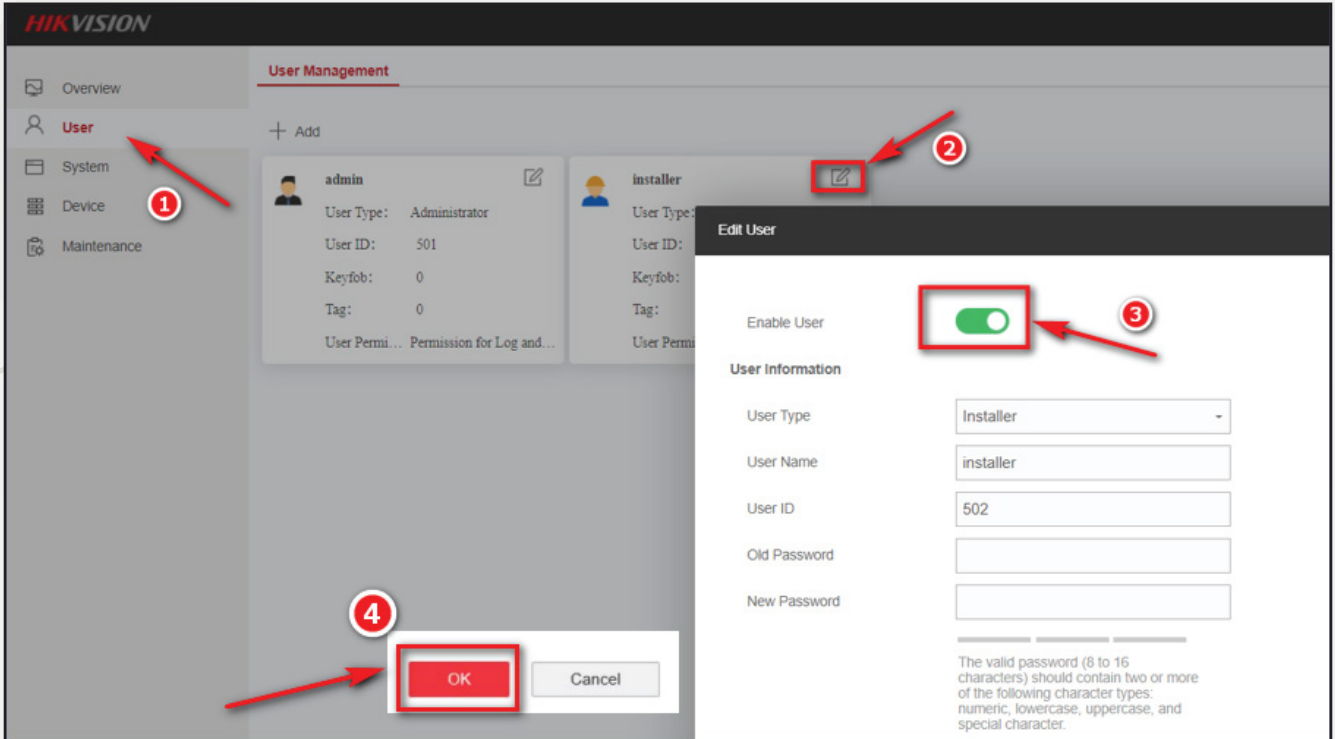
Confirm Password:

Enable Hik-Connect

Activate

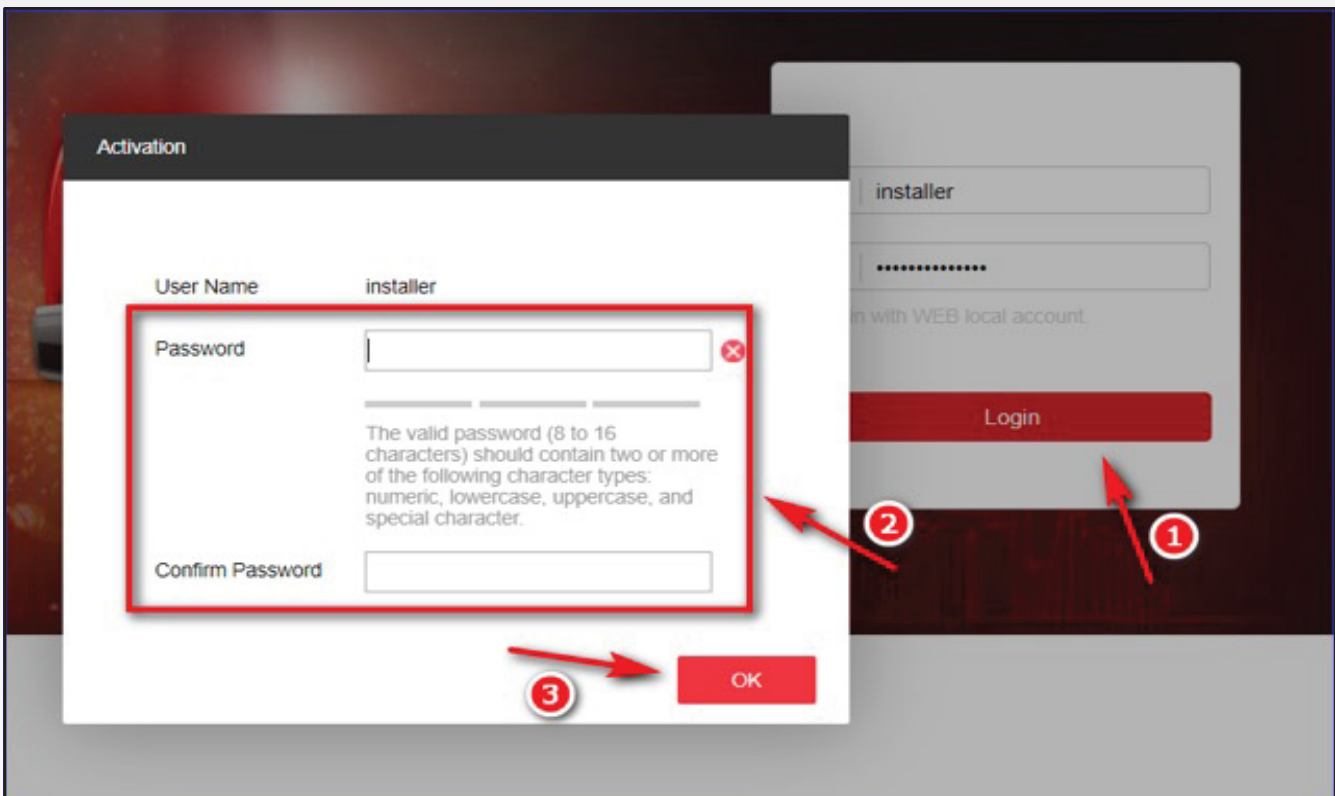
Step 2:

Web login Hybrid PRO and use admin account to enable the installer account, then click ok to save the change.



Step 3:

Log out the webpage, then log in again using installer account, please be noted, the default password of the installer account is installer12345 and it will ask you to change the default password automatically.



Step 4:

Check Keypad status to make sure it is enrolled.

The screenshot shows the 'Keypad Management' interface. On the left sidebar, 'Device' and 'Keypad' are highlighted with red boxes and arrows. The main table displays the following data:

Keypad	Device Number	Name	Linked Area	Function Butt...	Alarm Bu...	Button Buzzer	Enroll Keypad	Operation
<input type="checkbox"/>	1	2	Keypad 1	Area1	Open	Enable	Enable	Enrolled

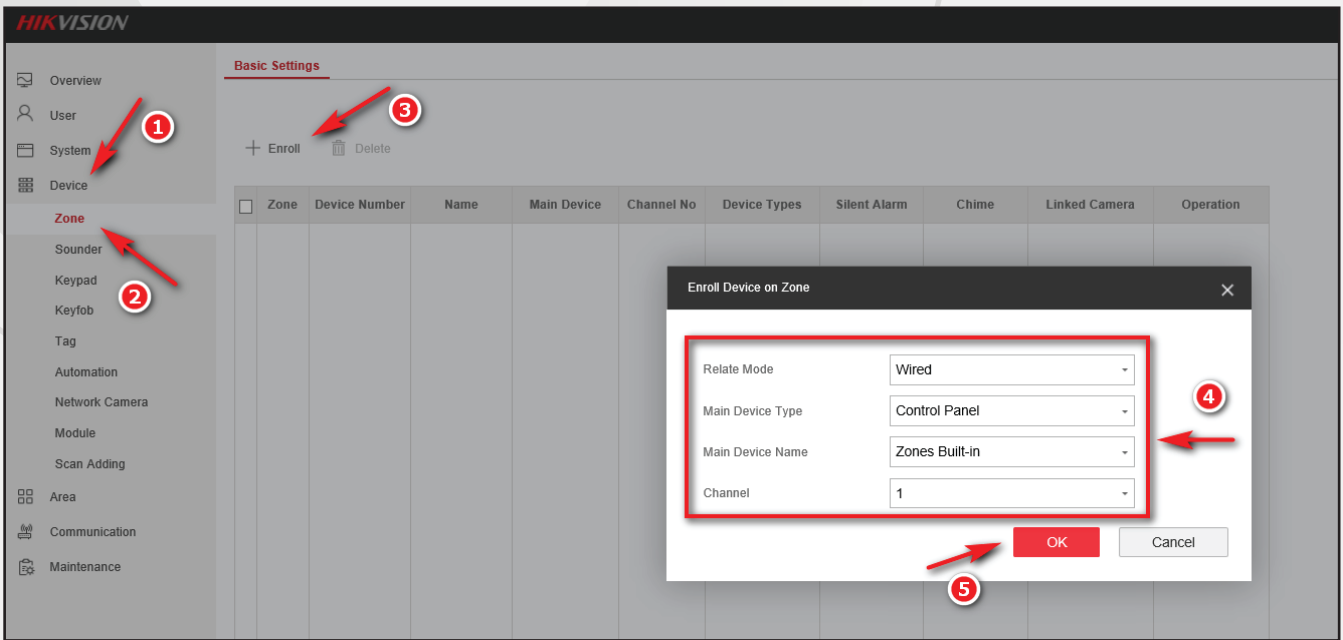
Step 5:

Configure the keypad password for Arm and Disarm.

The screenshot shows the 'User Management' interface. The 'User' menu is highlighted with a red arrow and '1'. The 'installer' user is selected with a red arrow and '2'. The 'Edit User' dialog shows the 'Edit Keypad Password' field with a green checkmark and a red arrow and '3'. The 'OK' button is highlighted with a red arrow and '4'.

Step 6:

Enroll wired PIR.



Step 7:

Configure detector contact mode as DEOL, scan QR Code to add it in Hik-Connect or Hik-Partner Pro APP

