

## AE-VC212T-ITS AE-VC212T-ITS



- Adopts progressive scan CMOS to prevent motion image aliasing
- Supports HD coaxial output with the resolution 1080p
- Min. illumination: 0.1 Lux @(F1.2, AGC ON), 0 Lux with IR
- Supports auto electronic day & night switch
- Adopts auto electronic shutter to adapt to different environment
- Supports auto gain control and self-adaption to light
- Adopts built-in mic and supports audio input
- Shock-proof design and aviation output plug

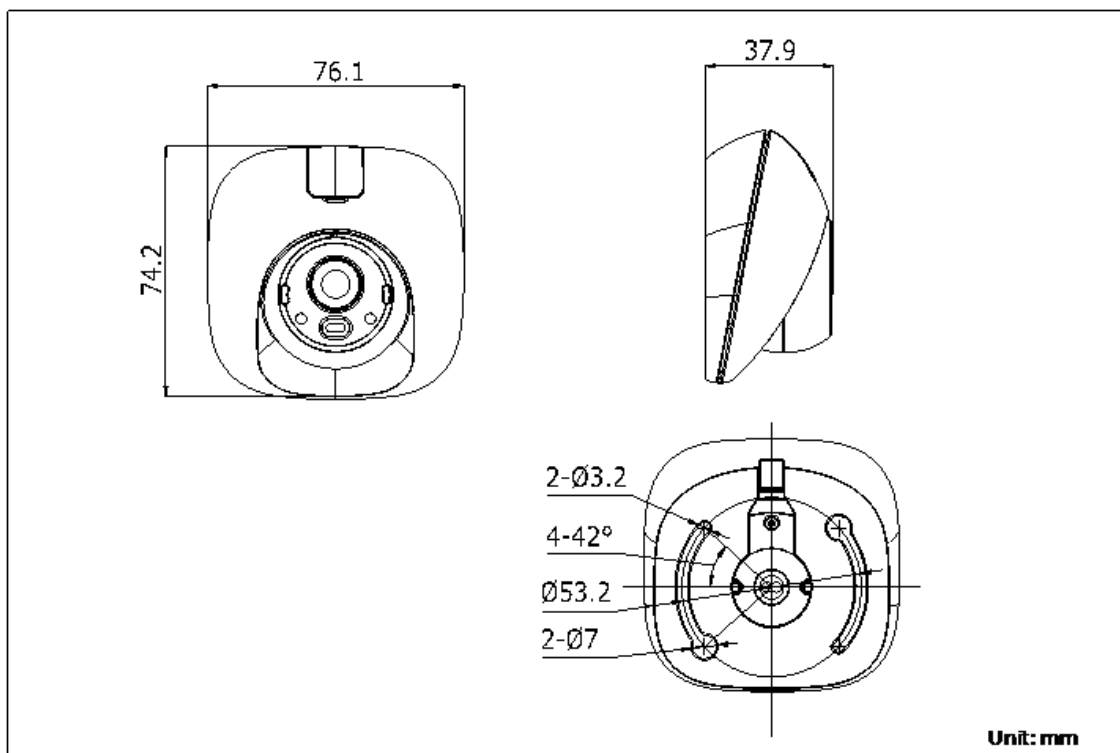
## ▪ Specification

Selection Parameter	
Min. Illumination	0.1 Lux@(F1.2, AGC ON), 0 Lux with IR
Protection Level	NA
Case Type	Turret
Resolution	1920×1080
Lens Type	Fixed focal lens, 2.1, 2.8, 3.6 mm optional
FOV	2.1 mm, horizontal: 126°, vertical: 66°, diagonal: 154° 2.8 mm, horizontal: 96°, vertical: 50°, diagonal: 115° 3.6 mm, horizontal: 75°, vertical: 42°, diagonal: 90°
Sensor	Progressive Scan CMOS
IR Distance	10m
Camera	
Shutter Speed	1/25 s to 1/30,000 s
P/N	NA
Wide Dynamic Range	NA
Day & Night	Electronic
Lens	
Lens Mount	M12
Video	
Frame Rate	720p@25 fps
Image	
SNR	42 dB
Interface	
Video Output	TVI
Built-in Microphone	yes
Built-in Speaker	NO
Audio	yes
Interface Style	1 Vpp Composite Output (aviation plug) 1: video, 2: Audio, 3: power, 4: ground
Supplement Light Unit	
Power Supply	9 to 16 V DC
Power Consumption	Max. 2.2 W
General	
Camera Material	plastic
Camera Dimension	76.1 mm × 74.2 mm × 37.9 mm (2.9" × 2.6" × 2.3")
Startup and Operating Conditions	-40 °C to 75 °C (-40 °F to 167 °F), 90%

## ▪ Available Model

AE-VC212T-ITS(2.1mm)(海外标配)(新),

▪ Dimension



**Headquarters**

No.555 Qianmo Road, Binjiang District,  
Hangzhou 310051, China  
T +86-571-8807-5998  
www.hikvision.com



Follow us on social media to get the latest product and solution information.

