

DS-PEA4H-10

Panic Alarm Master Station



ENGLISH

Diagram References

1 Appearance

- a. Indicator
- b. Camera
- c. Mic Support Interface
- d. Broadcast Key
- e. Microphone
- f. Display Screen
- g. Volume Key
- h. Mute Key
- i. USB 3.0 Interface
- j. USB 2.0 Interface
- k. microSD Card Interface
- l. Camera Angle Adjustment Wheel
- m. Built-in Speaker
- n1. Handset Interface (Handset)

2 Wiring

- a. Power Supply (12 VDC) Wiring
- b. Network Wiring (Supports PoE)
- c. VGA Wiring
- d. HDMI Wiring
- e. Audio Output Wiring
- f. Audio Input Wiring
- g. RS-485 Wiring
- h. Alarm Output Wiring
- i. Alarm Input Wiring

3 Dimension

- a. Panic Alarm Master Station
- b. Panic Alarm Master Station (with Telephone Receiver)

4 Activation

You should activate the device for the first usage.

- Power on and wire the network cable. After powering on, the display screen will pop up a page for entering activation password.
- Create a password and confirm the password.
- Click **OK** to activate the device.

The activation password is used when adding device to the client software. And the default username is **admin**. You can also activate the device via SADP tool or IVMS-4200 client software. For detailed settings, please refer to *User Manual of Panic Alarm Master Station*, you can contact the technical support for the user manual.

5 Basic Operation

Scan the QR code to get the user manual of panic alarm master station.

After activating the device, you should configure the network parameters and SIP server for communication between panic alarm master station (hereinafter called "master station") and alarm devices, or other master stations. Click **System Config** and then enter the project password to enter the project configuration page. The default project password is 888999. For security reasons, you should change it in **Password Settings** on the project configuration page after the initial login.

a. Network Parameters Configuration

- On the project configuration page, click **Network**, enter the IP address, gateway address and subnet mask of the master station.
- Click **Save** to save network parameters.

b. SIP Server Configuration

- On the project configuration page, click **SIP Server**, you should configure **IP Address**, **Port No.**, **Device ID**, **Device Location** and **Register Period** of the master station.
- IP Address:** The IP address of SIP server. After configuring the SIP server address, the device will register to the SIP server. When the master station acts as a SIP server, set the **IP Address** the same as the IP address of the master station. The devices register to the same SIP server can communicate with each other.
- Port No.:** By default, it is 5065.
- Device ID:** The available ID number should between 0 and 999999.
- Device Location:** Enter the device location for easy management.
- Register Period (min):** By default, it is 10.

c. Device Management

Click **System Config** to enter the device configuration page. You can view all devices (alarm devices and master stations) which have the same IP address as the SIP server's, and then you can add groups for device group management. For SIP server parameters configuration of alarm devices and master stations, and device management, refer to *User Manual of Panic Alarm Master Station*.

6 Communication Test

- Click **Dial-up** or pick up the handset to enter quick dialing page.
- Enter the ID of alarm device via the soft keypad and click to enter the live view page. If you are able to enter the live view page normally, the communication is started.

Indicator

	Exception Indicator	Flashing Yellow: Master Station Exception
	Information Indicator	Flashing Green: Receiving Alarm Information
	Power Supply Indicator	Solid Blue: Master Station Powered on

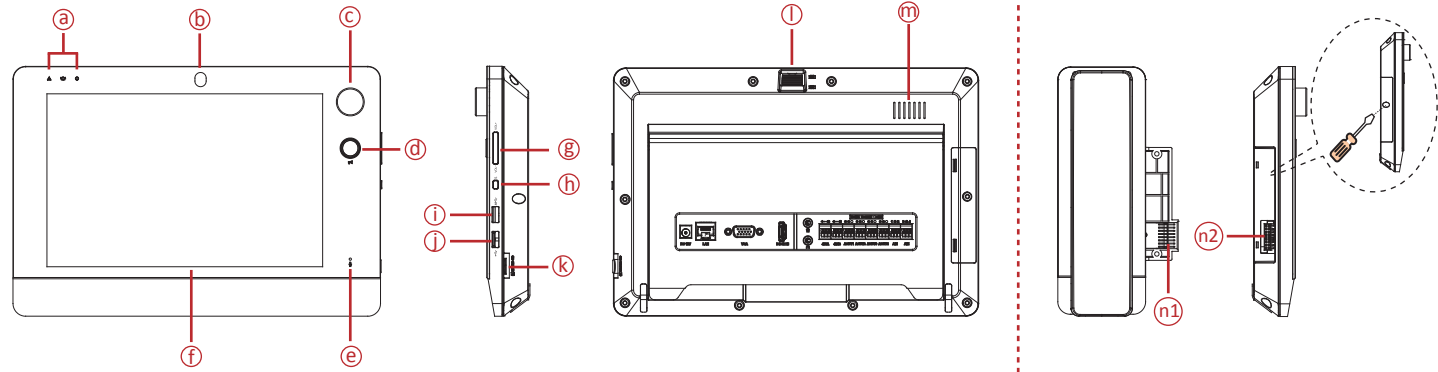
Specification

Video	Camera	CMOS, 2 MP	I/O Input	4
	Resolution	1920 x 1080	I/O output	4, relay output
	Frame rate	PAL: 25 FPS, NTSC: 30 FPS	Handset	1, for handset R111
	Screen	10.1 inch colorful TFT LCD, 1280 × 800	VGA output	1
Display	Operation mode	Touch screen, and mechanical key	HDMI output	1
	User interface	Flat Design	MicroSD	1, microSD (≤128 GB)
Audio	Audio input	Built-in microphone, 3.5 mm input, handset	USB	1, USB 3.0
	Audio output	Built-in loudspeaker, 3.5 mm output and handset	Power	1, USB 2.0
	Audio encoding/decoding standard	G.711U, G.726, AAC, and Opus	Consumption	≤15 W
	Audio compression code rate	64 Kbps, 32 Kbps, 16 Kbps	Operating temperature	-10 °C to 55 °C
Network	Network protocol	TCP/IP, HIK-SIP (Private protocol), SIP, RTPSP	Operating humidity	10% to 90%
	Network interface	1 RJ45, 10M/100M/1000M self-adaptive	Dimension (L × H × D)	with handset: 361 mm × 197 mm × 65 mm (14.2" × 7.8" × 2.6") without handset: 291 mm × 197 mm × 41 mm (11.5" × 7.8" × 1.6")
Interface	RS-485	2, RS-485 half-duplex interface	Weight	≤2.5 kg (88.2 oz)

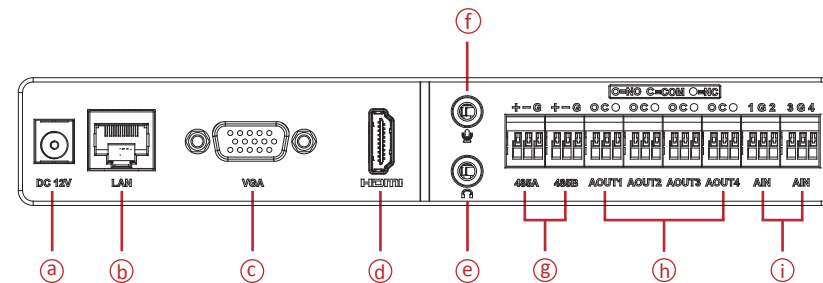
The power supply must conform to LPS. Use only power supplies listed in the user manual:

Model	Manufacturer
KPL-Q40F-VI	Channel Well Technology

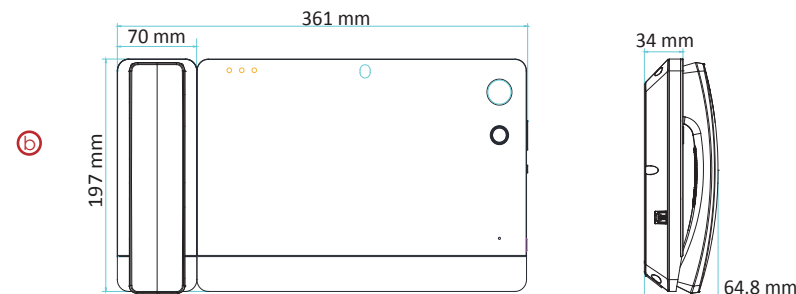
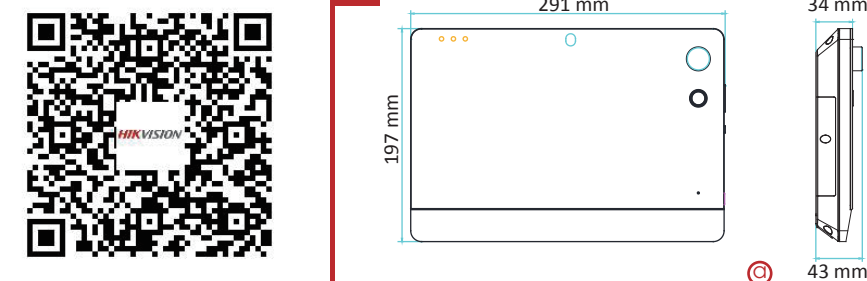
1



2



3



Product Information

COPYRIGHT ©2019 Hangzhou Hikvision Digital Technology Co., Ltd. ALL RIGHTS RESERVED.
Any and all information, including, among others, wordings, pictures, graphs are the properties of Hangzhou Hikvision Digital Technology Co., Ltd. or its subsidiaries (hereinafter referred to be "Hikvision"). This user manual (hereinafter referred to be "the Manual") cannot be reproduced, changed, translated, or distributed, partially or wholly, by any means, without the prior written permission of Hikvision. Unless otherwise stipulated, Hikvision does not make any warranties, guarantees or representations, express or implied, regarding to the Manual.

About this Manual
This Manual is applicable to the Panic Alarm Master Station.
The Manual includes instructions for using and managing the product. Pictures, charts, images and all other information hereinafter are for description and explanation only. The information contained in the Manual is subject to change, without notice, due to firmware updates or other reasons. Please find the latest version in the company website (<http://overseas.hikvision.com/en/>). Please use this user manual under the guidance of professionals.

HIKVISION Trademarks Acknowledgement and other Hikvision's trademarks and logos are the properties of Hikvision in various jurisdictions. Other trademarks and logos mentioned below are the properties of their respective owners.

Legal Disclaimer
TO THE MAXIMUM EXTENT PERMITTED BY APPLICABLE LAW, THE PRODUCT DESCRIBED, WITH ITS HARDWARE, SOFTWARE AND FIRMWARE, IS PROVIDED "AS IS", WITH ALL FAULTS AND ERRORS, AND HIKVISION MAKES NO WARRANTIES, EXPRESS OR IMPLIED, INCLUDING WITHOUT LIMITATION, MERCHANTABILITY, SATISFACTORY QUALITY, FITNESS FOR A PARTICULAR PURPOSE, AND NON-INFRINGEMENT OF THIRD PARTY. IN NO EVENT WILL HIKVISION, ITS DIRECTORS, OFFICERS, EMPLOYEES, OR AGENTS BE LIABLE TO YOU FOR ANY SPECIAL, CONSEQUENTIAL, INCIDENTAL, OR INDIRECT DAMAGES, INCLUDING, AMONG OTHERS, SECURITY RISKS; HOWEVER, HIKVISION WILL PROVIDE TIMELY TECHNICAL SUPPORT IF REQUIRED. SURVEILLANCE LAWS VARY BY JURISDICTION. PLEASE CHECK ALL RELEVANT LAWS IN YOUR JURISDICTION BEFORE USING THIS PRODUCT IN ORDER TO ENSURE THAT YOUR USE CONFORMS THE APPLICABLE LAW. HIKVISION SHALL NOT BE LIABLE IN THE EVENT THAT THIS PRODUCT IS USED WITH ILLEGITIMATE PURPOSES.

CE This product and -if applicable- the supplied accessories too are marked with "CE" and comply therefore with the applicable harmonized European standards listed under the RE Directive 2014/53/EU, the EMC Directive 2014/30/EU, the LVD Directive 2014/35/EU, the RoHS Directive 2011/65/EU.
2006/66/EC (battery directive): This product contains a battery that cannot be disposed of as unsorted municipal waste in the European Union. See the product documentation for specific battery information. The battery is marked with this symbol, which may include lettering to indicate cadmium (Cd), lead (Pb), or mercury (Hg). For proper recycling, return the battery to your supplier or to a designated collection point. For more information see: www.recyclethis.info
2012/19/EU (WEEE directive): Products marked with this symbol cannot be disposed of as unsorted municipal waste in the European Union. For proper recycling, return this product to your local supplier upon the purchase of equivalent new equipment, or dispose of it at designated collection points. For more information see: www.recyclethis.info

FCC Information
Please take attention that changes or modification not expressly approved by the party responsible for compliance with the user's authority to operate the equipment.
FCC compliance: This equipment has been tested and found to comply with the limits for a Class B digital device, pursuant to part 15 of the FCC Rules. These limits are designed to provide reasonable protection against harmful interference in a residential installation. This equipment generates, uses and can radiate radio frequency energy and, if not installed and used in accordance with the instructions, may cause harmful interference to radio communications. However, there is no guarantee that interference will not occur in a particular installation. If this equipment does cause harmful interference to radio or television reception, which can be determined by turning the equipment off and on, the user is encouraged to try to correct the interference by one or more of the following measures:
—Reorient or relocate the receiving antenna.
—Increase the separation between the equipment and receiver.
—Connect the equipment into an outlet on a circuit different from that to which the receiver is connected.
—Consult the dealer or an experienced radio/TV technician for help.
This equipment should be installed and operated with a minimum distance 20cm between the radiator and your body.
FCC Conditions
This device complies with part 15 of the FCC Rules. Operation is subject to the following two conditions:
1. This device may not cause harmful interference.
2. This device must accept any interference received, including interference that may cause undesired operation.