

## DS-TL2000A-L1 Supplement Light



DS-TL2000A-L1 is a supplement light with high beam LED light source and patented design of the lamp cooling structure and a constant current drive control. The products can be widely used in electronic police, security surveillance, speed detection, toll stations, entrance & exit control and road monitoring system. Key features including:

- Adopt aluminum alloy light body, fin-type radiator, and high light transmission with tempering glass.
- High beam LED chips with long lifespan, good stability and high luminous efficiency.
- Professional optical design, light uniformity and target spot distinct.
- Adopt advanced constant current drive technology, which make the current control accurate and stable, enhance the product reliability and reduce the light attenuation effectively.
- Support camera false triggering protection, automatic protection initiation at the abnormal triggering signal and automatic recovery.
- The novelty design of the light, such as small size, light weight and high adaptability, make it quite easy for installation and adjustment.
- The IP65 design make it waterproof and dustproof unfailingly
- Green environmental protection without harmful metal such as mercury and lead.

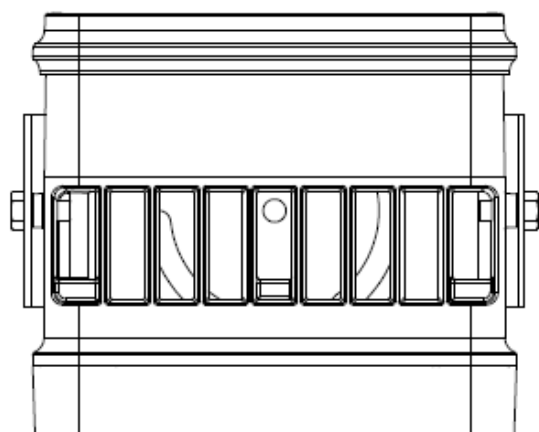
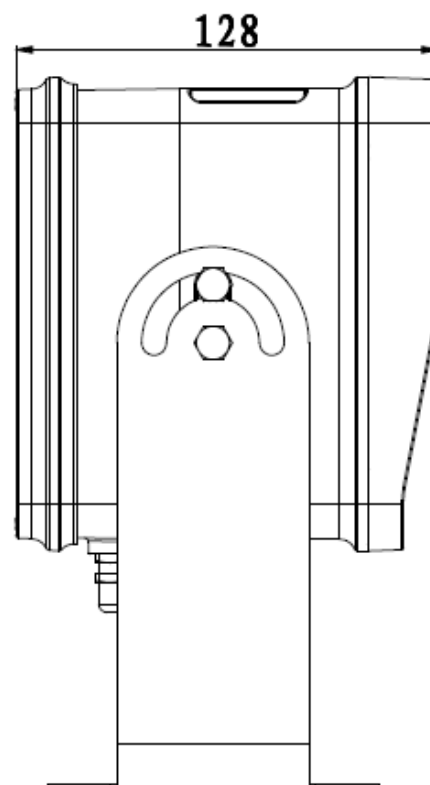
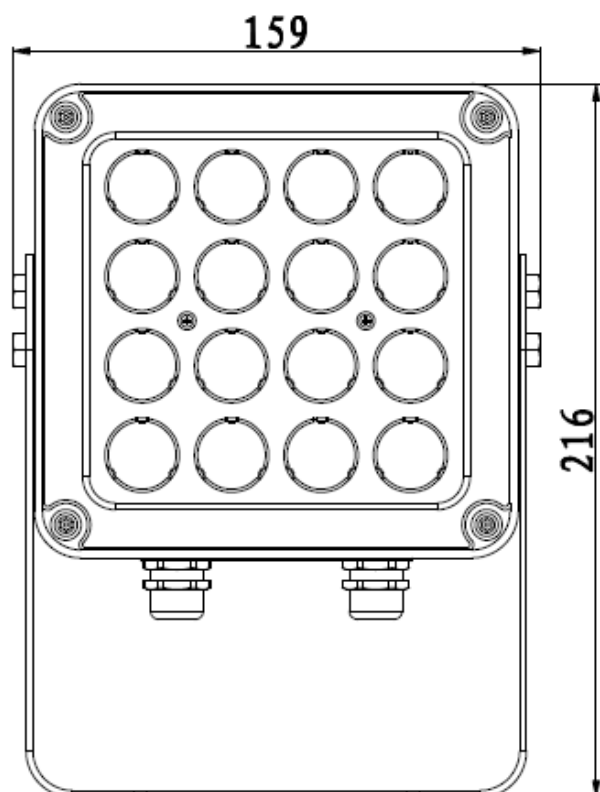
## Specification

| <b>Supplement Light</b>             |                                                                                                                                                 |
|-------------------------------------|-------------------------------------------------------------------------------------------------------------------------------------------------|
| Light Type                          | High-power white light LED                                                                                                                      |
| LED Lamp Beads                      | 16                                                                                                                                              |
| Color Temperature                   | 2500K to 3500K                                                                                                                                  |
| Angle of Light                      | 10°                                                                                                                                             |
| Coverage                            | Single lane                                                                                                                                     |
| Effective Distance                  | 16-25 m                                                                                                                                         |
| Trigger Manner                      | TTL level (switch trigger optional)                                                                                                             |
| Trigger Level                       | 4 to 6 V (High level trigger)                                                                                                                   |
| Trigger Frequency                   | 15 to 250 Hz                                                                                                                                    |
| Trigger Duty Ratio                  | 1% to 39% (Enter the protection state at Duty Radio $\geq$ 40%)                                                                                 |
| Response Time                       | $\leq$ 20 us                                                                                                                                    |
| Day and Night Function              | Support ambient brightness detection, and automatic start-up at low illumination (optional)                                                     |
| RS-485                              | 1-ch, supporting PC or camera connection (optional)                                                                                             |
| Synchronous Interface               | 1-ch flicker trigger input, 1-ch capture trigger input, and 1-ch synchronous flicker output (optional)                                          |
| Parameter Configuration             | Supports internal parameter settings, such as turn-on threshold of day and night function, flash, and ultra-high frequency flash delay setting. |
| Service Life                        | $\geq$ 50000 H                                                                                                                                  |
| Housing Material                    | Die-cast aluminum                                                                                                                               |
| Power Supply                        | 220 VAC $\pm$ 20%, 47 to 63 Hz; 110 VAC $\pm$ 20%, 47 to 63 Hz                                                                                  |
| Consumption                         | Max. 36 W (Determined by control model)                                                                                                         |
| Operating Temperature               | -40 °C to 70 °C (-40 °F to 158 °F)                                                                                                              |
| Operating Humidity                  | 10% to 90%, no condensation                                                                                                                     |
| Weather Proof Rating                | IP65                                                                                                                                            |
| Dimension (W $\times$ H $\times$ D) | 128 $\times$ 216 $\times$ 159 mm (5.0 $\times$ 8.5 $\times$ 6.3 inch)                                                                           |
| Mounting Model                      | Support front-mounted installation (bracket rotation angle: -90° to 90°)                                                                        |
| Weight                              | 2.72 kg (6.00 lb)                                                                                                                               |

### Available Model

DS-TL2000A-L1

**Dimension**



Unit: mm

**Headquarters**

No.555 Qianmo Road, Binjiang District,  
Hangzhou 310051, China  
T +86-571-8807-5998  
www.hikvision.com



Follow us on social media to get the latest product and solution information.

