

DS-TDSB00-EKT/4m
4 m Fall Detection Radar

Introduction

Fall detection radar adopts MIMO, beamforming, group tracking, KNN type identification, and other technologies. It can obtain target information, including person location, speed, posture, etc., and can provide non-contact and non-privacy fall detection via point cloud data. Fall detection radar can be applied to private spaces, such as shower rooms and restrooms. It can also be used in elderly care, home, community, and other fields to promptly alarm when it detects falls and reduce personal injury.

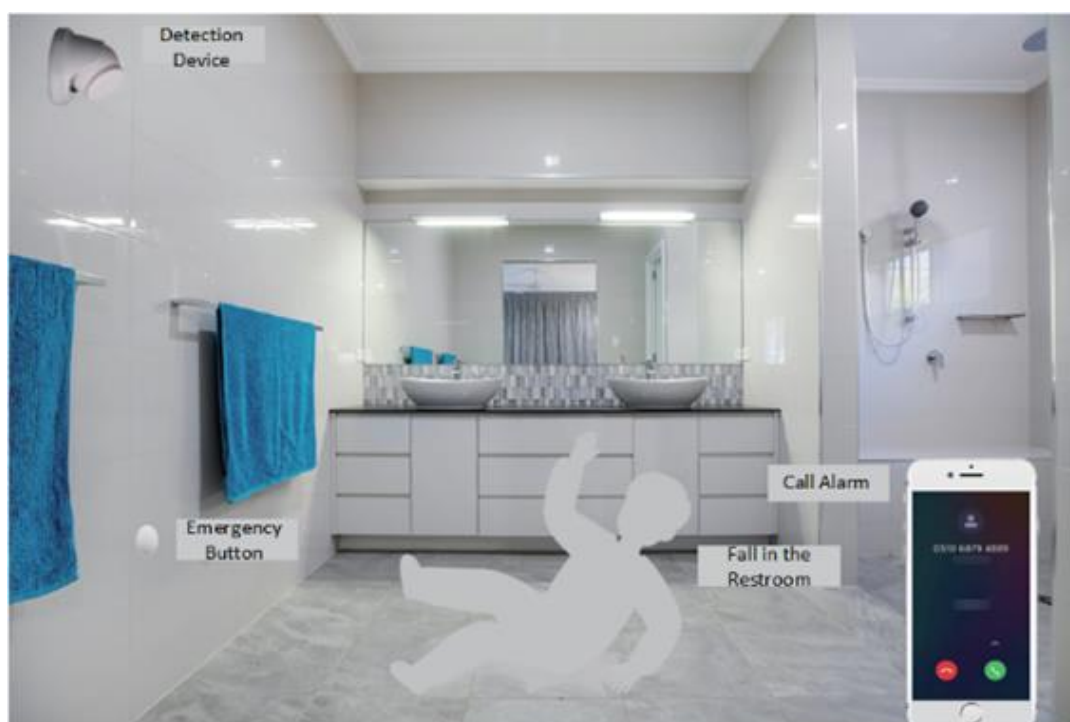
Key Feature

- High detection accuracy and low false alarm rate.
- Detects person and non-person in the area.
- Non-contact posture detection.
- Small size, light, easy installation to embed to other devices.

Specification

General	
Weight	Approx. 133 g (0.29 lb.)
Working Humidity	95% or less (non-condensing)
Working Temperature	-40 °C to 70 °C (-40 °F to 158 °F)
Radar	
Working Frequency Range	60 to 64 GHz
Modulation Waveform	FMCW
Capture Distance	4 m
Communication Interface	RS-485, WIFI (2.4 G)
Working Voltage	9 to 12 VDC
Working Current	≤ 200 mA @ 12 VDC

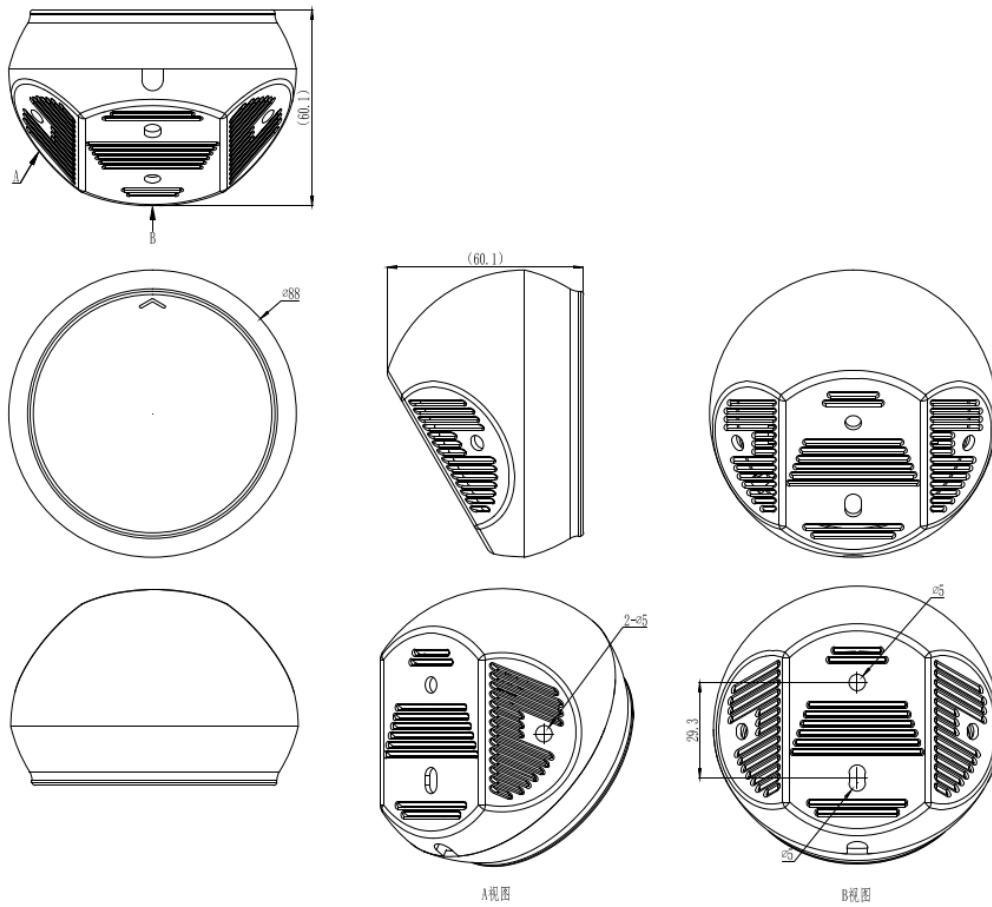
Typical Application



Available Model

DS-TDSB00-EKT/4m

Dimension



Unit: mm

Headquarters

No.555 Qianmo Road, Binjiang District,
Hangzhou 310051, China
T +86-571-8807-5998
www.hikvision.com



Follow us on social media to get the latest product and solution information.



Hikvision



HikvisionHQ



HikvisionHQ



Hikvision_Global



Hikvision
Corporate Channel



hikvisionhq