

DS-1701ZJ/HWB
Hoop & Bracket

- Wall mount bracket.
- Comes with 4 × M8 swell screws.
- Galvanized steel sheet and steel material with surface spray treatment.
- Can be used for supplemental light and new housing traffic unit.
- Outdoor white color.

▪ Specification

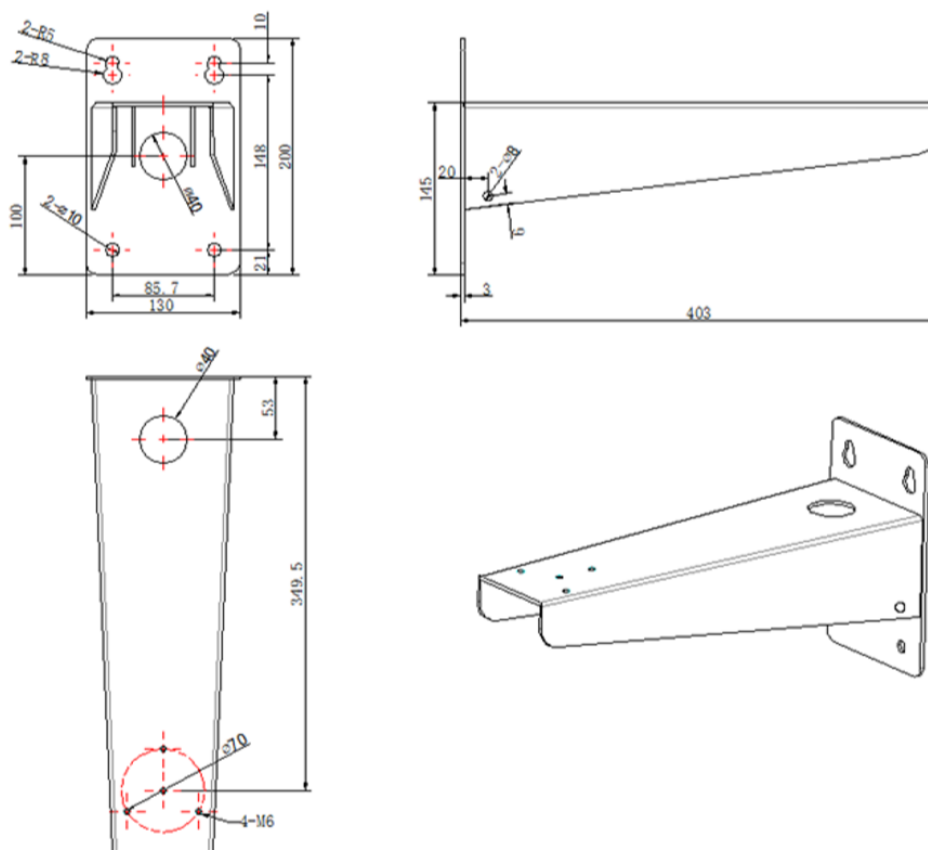
Parameters	
Dimension	403 mm × 200 mm × 130 mm
Weight	Approx. 2.66 kg (5.86 lb.)
Max. Load Capacity	Approx. 15 kg (33.07 lb.)
Appearance	Hikvision White
Material	Galvanized steel sheet and Steel(sus304)

▪ **Available Model**

DS-1701ZJ/HWB

DS-1701ZJ/HWB/316

▪ **Dimension**



Headquarters

No.555 Qianmo Road, Binjiang District,
Hangzhou 310051, China
T +86-571-8807-5998
www.hikvision.com



Follow us on social media to get the latest product and solution information.

