

DS-D4439RO-CB LED Display



- Cabinet is die-casting aluminum integrated.
- Modularized design: LED cabinet consists of frame, power box and modules. For different pixel pitches, they can share same power box and frame.
- Seamless connection: There are four locks totally on each cabinet. They can lock cabinets well for seamless splicing.
- One end of the power cables between two cabinets is fixed. Such design can help to realize fast installation and disassembly.
- Labor saving: One single person can manage installation easily, which can save labor cost.
- Screen can be both inward and outward curve. (optional)
- 90° connection is available. (needs customization)
- Anti-collision design: there are protectors at the four corners of the cabinets, which can help to protect lamps effectively during transportation. (needs customization)
- Multi-application scenarios: It is widely used in concerts, events, opera houses, theaters, hotels, auditorium, multi-function hall, lecture hall, high-end entertainment venues, and so forth.

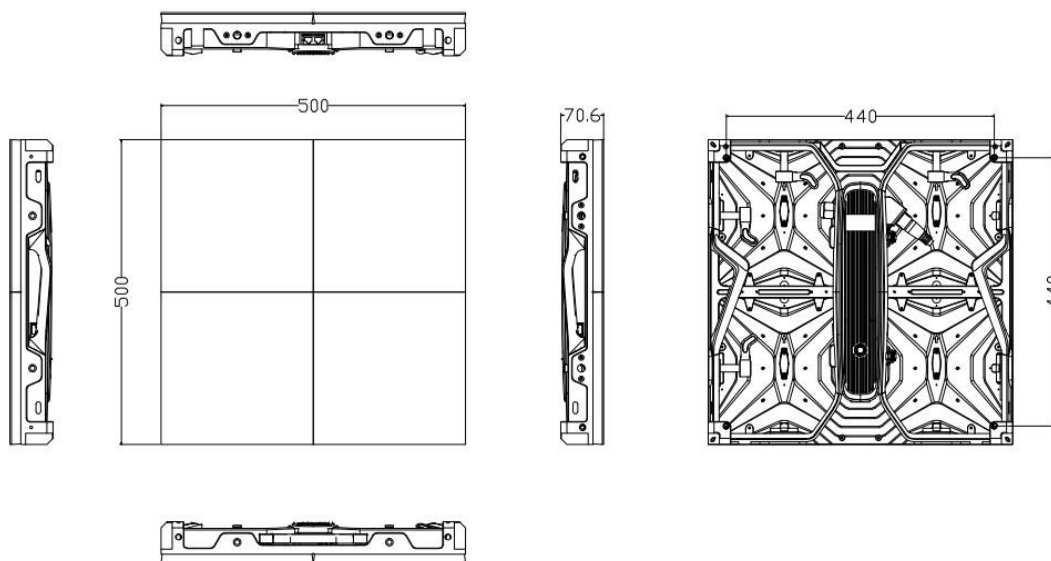
▪ Specification

| | Model | DS-D4439RO-CB |
|-----------------------------------|-----------------------------------|---|
| Cabinet | Pixel Configuration | SMD 3-in-1 |
| | Pixel Pitch Category | P3.91 |
| | Pixel Pitch | 3.91 mm |
| | Modules Component | 2 × 2 |
| | Dimensions (W × H × D) | 500 (H) × 500 (W) × 53 (D) mm (19.685" × 19.685" × 2.087") (not including modules) 500 (H) × 500 (W) × 70.6 (D) mm (19.685" × 19.685" × 2.78") (including modules) |
| | Resolution | 128 × 128 |
| | Area | 0.25 m ² |
| | Weight | 7.3 Kg (14.99 lb) |
| | Pixel Density | 65536 dots/m ² |
| | Lamp Board Housing | No housing |
| | Cabinet Material | Die-casting aluminum |
| | Maintenance Method | rear maintenance |
| | Cabinet Flatness | 0.1 mm |
| | Protection Level | Front protection level IP65 |
| Display | White Balance Brightness | ≥ 4500 cd/m ² |
| | Color Temperature | 6500 K to 10000 K adjustable |
| | Viewing Angle | Horizontal 160°, vertical 140° |
| | Contrast Ratio | ≥ 3000:1 |
| | Color Uniformity | ≤ ± 0.003Cx, Cy |
| | Brightness Uniformity | ≥ 97% |
| Processing Performance | Driving Method | Constant current driving |
| | Frame Frequency | 60 Hz |
| | Refresh Rate | Up to 3840 Hz |
| | Grey Level | Up to 16 bit |
| | Display Color | 281 trillion |
| Power | Power Supply | 110 V/220 V |
| | Max. Consumption | ≤ 700 W/m ² |
| | Average Consumption | ≤ 240 W/m ² |
| Working Environment | Working Temperature | -10~40 °C |
| | Working Humidity | 10%~80% RH |
| | Storage Humidity | 10%~85% RH |
| | Storage Temperature | -20~60 °C |
| General | Gross Weight | 90 Kg (198.42 lb) ± 10% |
| | Package Dimensions (W × H × D) | 840 (L) × 700 (W) × 570 (H) mm (33.07" × 27.56" × 22.44") (8-in-1 flight case) |
| | Lifespan | Lamp 100,000 hours |

▪ **Available Model**

DS-D4439RO-CB

▪ **Dimension**



Headquarters

No.555 Qianmo Road, Binjiang District,
Hangzhou 310051, China
T +86-571-8807-5998
www.hikvision.com



Follow us on social media to get the latest product and solution information.

