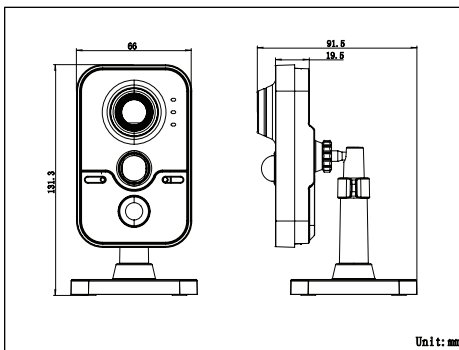


DS-2CD2432F-IW 3 MP IR Cube Network Camera



- Up to 3.0 MP (2048 x 1536) Resolution
- Full HD1080p Real-Time Video
- PIR Detection
- IR LEDs (33 ft/10 m Range)
- DWDR, 3D DNR, and BLC
- Built-In Microphone and Speaker
- SD/SDHC/SDXC Card Slot (Up to 128 GB)
- Wi-Fi (WPS Connection)

Dimensions



Order Models

DS-2CD2432F-IW

Hikvision USA Inc., 18639 Railroad St., City of Industry, CA 91748, USA • Hikvision Canada, 4848 rue Levy, Saint-Laurent, Quebec, Canada, H4R 2P1
Tel: +1-909-895-0400 • Toll Free in USA: +1-866-200-6690 • E-Mail: sales.usa@hikvision.com • www.hikvision.com
© 2017 Hikvision USA Inc. • All Rights Reserved • Specifications subject to change without notice.

DS-2CD2432F-IW	
Camera	
Image Sensor	1/3" progressive scan CMOS
Minimum Illumination	0.19 lux @ f/2.0, AGC on, 0 lux with IR
Shutter Speed	1/30 s to 1/100,000 s
Lens	4 mm @ f/2.0, angle of view: 79° (2.8 mm optional)
Lens Mount	M12
Day/Night	ICR
Digital Noise Reduction	3D DNR
Wide Dynamic Range	Digital WDR
Backlight Compensation	Yes, zone configurable
Compression Standard	
Video Compression	H.264/MJPEG
Compression Profile	Main Profile
Bit Rate	32 Kbps to 16 Mbps
Audio Compression	G.711/G.726
Audio Bit Rate	64 Kbps (G.711)/16 Kbps (G.726)
Image	
Maximum Image Resolution	2048 x 1536
Frame Rate	60 Hz: 20 fps (2048 x 1536), 30 fps (1920 x 1080), 30 fps (1280 x 720)
Image Settings	Saturation, brightness, contrast adjustable through client software or Web browser
Network	
Network Storage	NAS
Alarm Trigger	PIR detection, motion detection, tampering alarm, network disconnect, IP address conflict, storage exception, storage error
Protocols	TCP/IP, ICMP, HTTP, HTTPS, FTP, DHCP, DNS, DDNS, RTP, RTSP, RTCP, PPPoE, NTP, UPnP, SMTP, SNMP, IGMP, 802.1X, QoS, IPv6, Bonjour
System Compatibility	ONVIF, PSIA, CGI
General Functionalities	Flickerless, dual stream, heartbeat, mirror, user authentication, video mask, watermark
Interface	
Communication Interface	1 RJ-45 10M/100M Ethernet port
Onboard Storage	Built-in microSD/SDHC/SDXC card slot, up to 128 GB
Alarm I/O	1/1
WiFi Parameters	
WiFi Standard	IEEE802.11b/g/n
Frequency Range	2.4 GHz to 2.4835 GHz
Communication Bandwidth	Supports 20/40 MHz
Security	64/128-bit WEP, WPA/WPA2, WPA-PSK/WPA2-PSK, WPS
Transmission Rate	11b: 11 Mbps, 11g: 54 Mbps, 11n: 150 Mbps
Transmission Range	Outdoor: up to 656 ft (200 m); indoor: up to 164 ft (50 m). *Varies depending on actual environment
General	
Operating Conditions	-22° F to 140° F (-30° C to 60° C), humidity 95% or less (non-condensing)
Power	12 VDC ±10%, PoE (802.3af)
Power Consumption	Maximum 5 W
PIR Detection Range	33 ft (10 m)
PIR Detection Angle	80°
IR Range	33 ft (10 m)
Dimensions (mm)	2.60" x 2.78" x 5.48" (66 mm x 70.6 mm x 139.1 mm)
Weight	0.88 lbs (400 g)