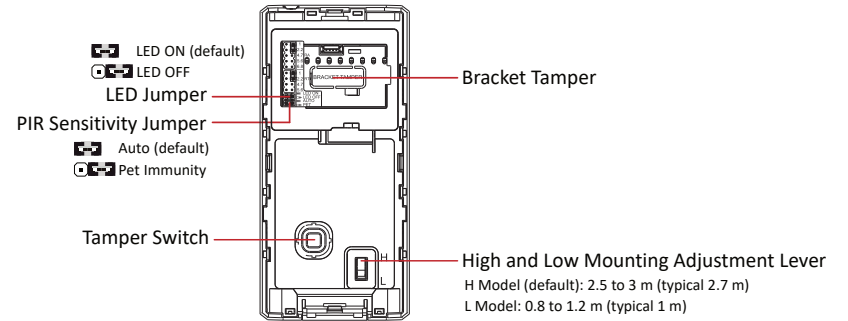
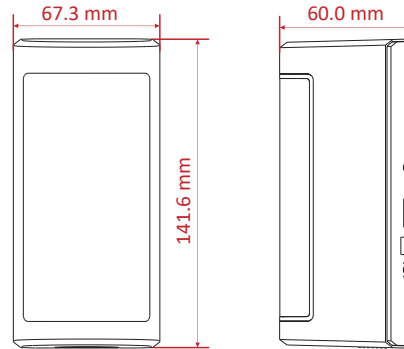


DS-PDP18-HM
Wired Double PIR Detector
User Manual

EN50131-2-2:2021
 Security Grade 2
 Environment Class IV

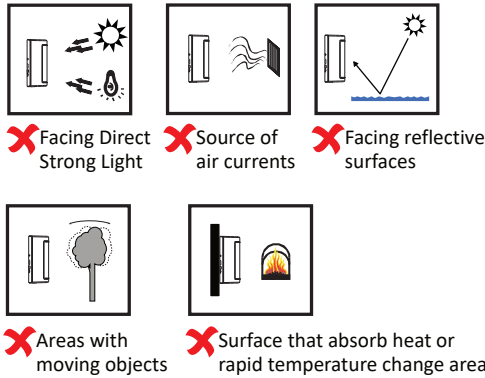
UD33808B

1 Appearance

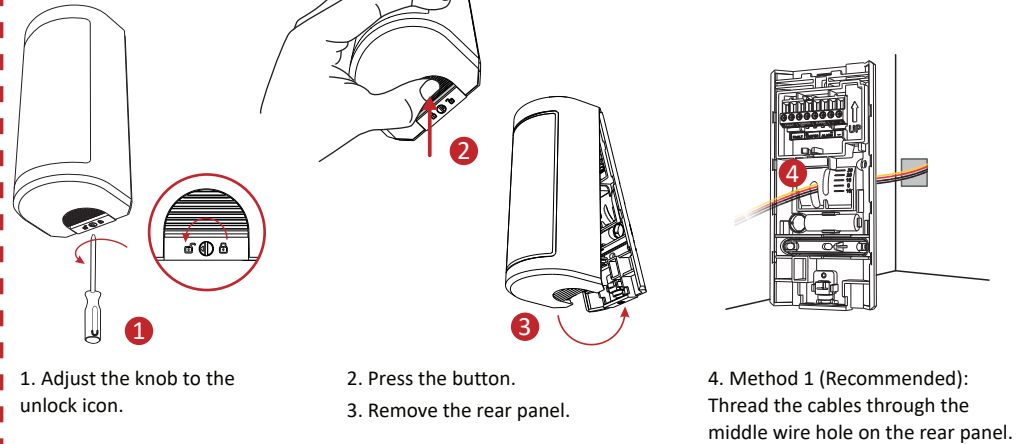


2 Installation

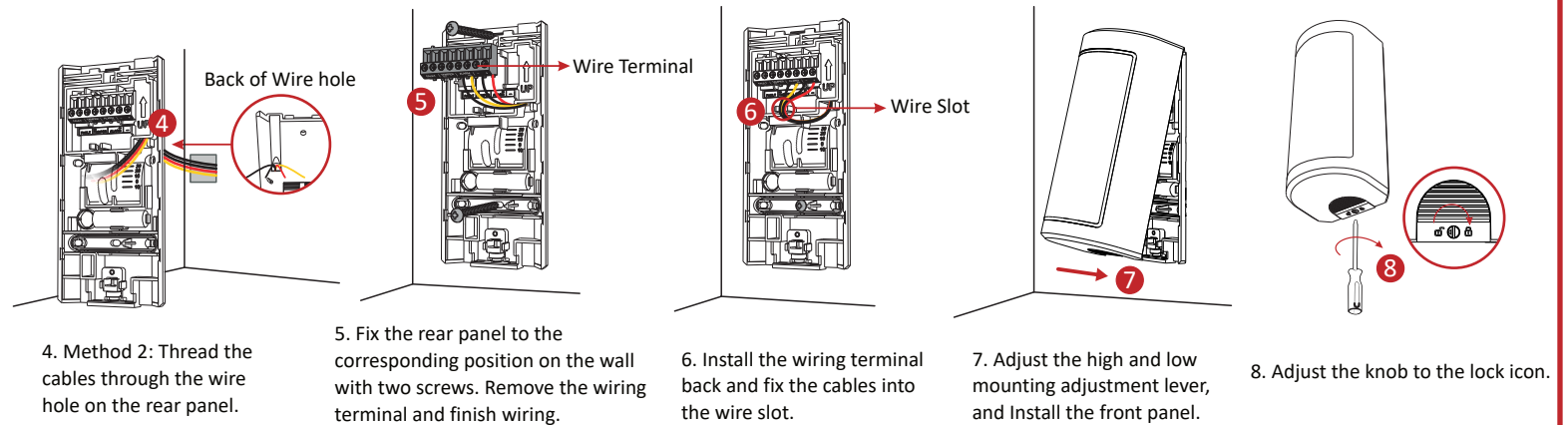
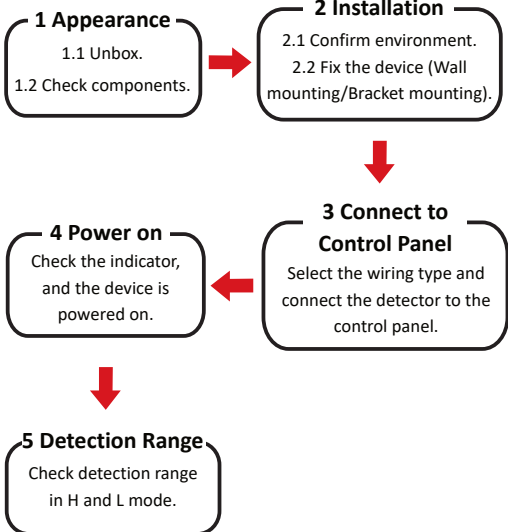
Installation Environment



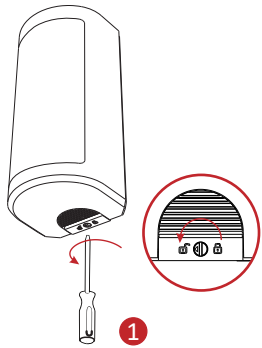
① Wall Mounting



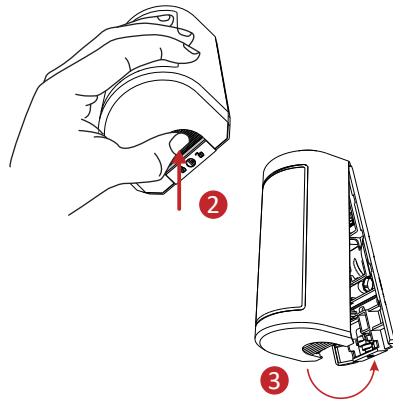
User Manual Flow Chart



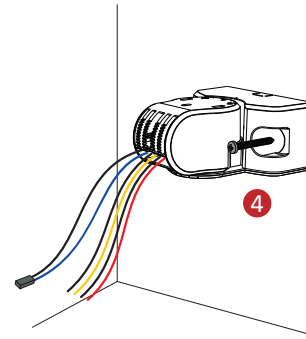
② Bracket Mounting



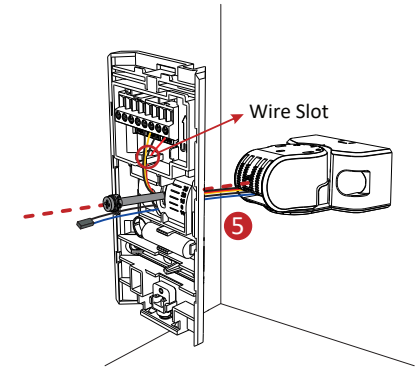
1. Adjust the knob to the unlock icon.



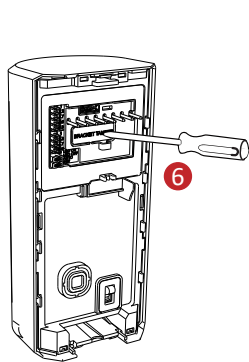
2. Press the button.
3. Remove the rear panel.



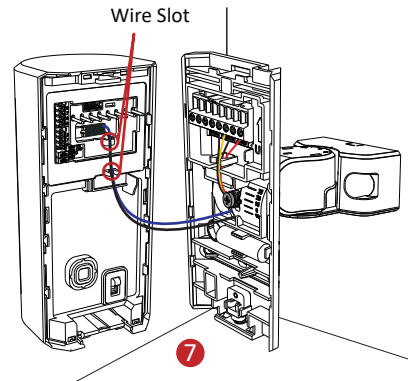
4. Install the bracket to the wall.



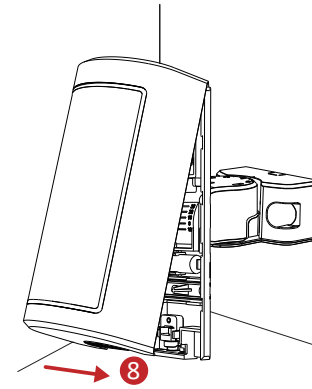
5. Install the wiring terminal back and fix the cables into the wire slot. Thread the tamper cable through the wire hole, and fix the rear panel to the bracket with one screw.



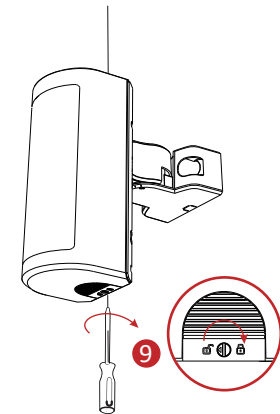
6. Remove the bracket tamper cover on the front panel.



7. Connect the tamper cable to the front panel, and fix the cable into the wire slot.



8. Adjust the high and low mounting adjustment lever, and install the front panel.

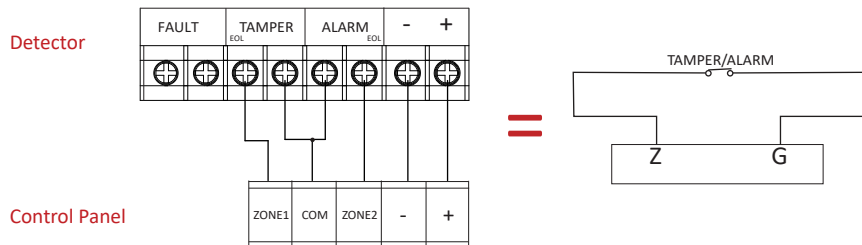


9. Adjust the knob to the lock icon.

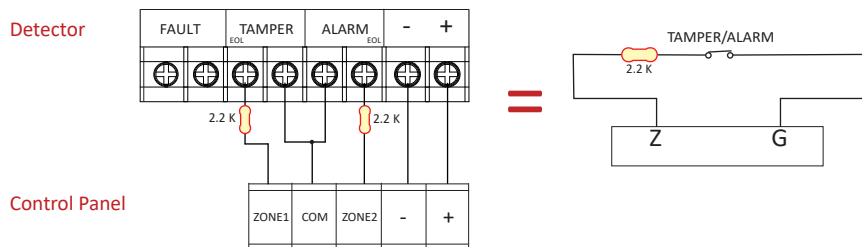
3 Connect to Control Panel

Note: The resistor needs to be connected to the end of detector.

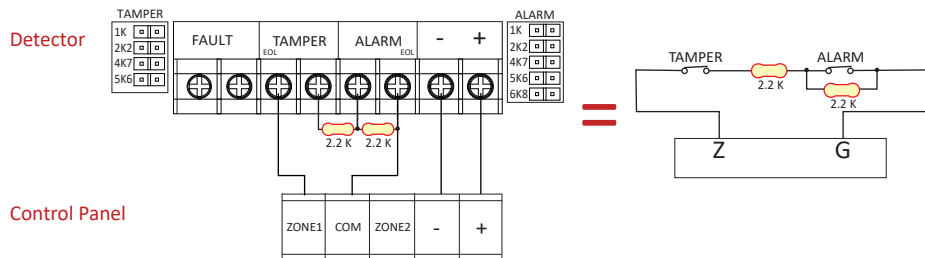
1 None Resistor Connection



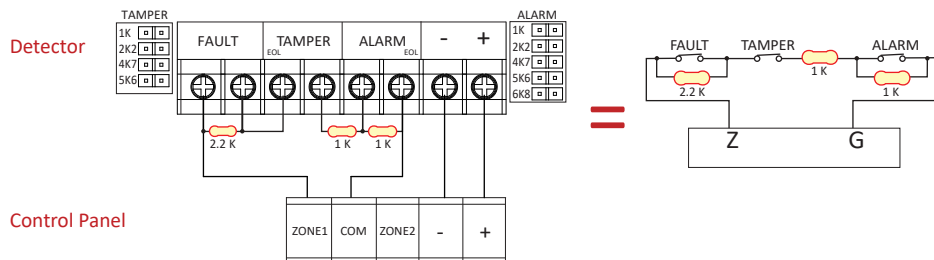
2 Single EOL Connection



3 Double EOL Connection

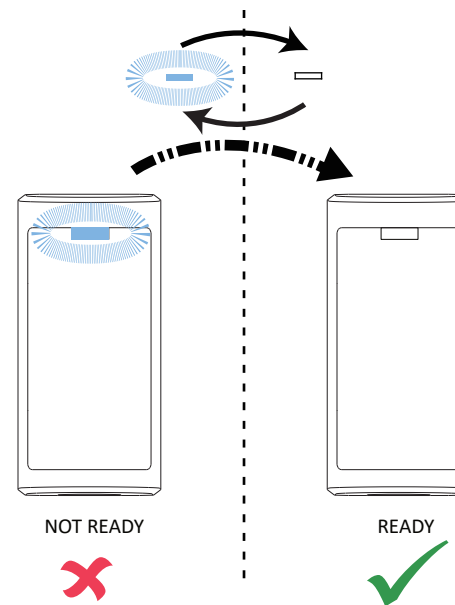


4 Triple EOL Connection



4 Power on

After powering on, the indicator flashes rapidly. Once the detector self test is completed, the LED indicator will go out until the detector detects movement.

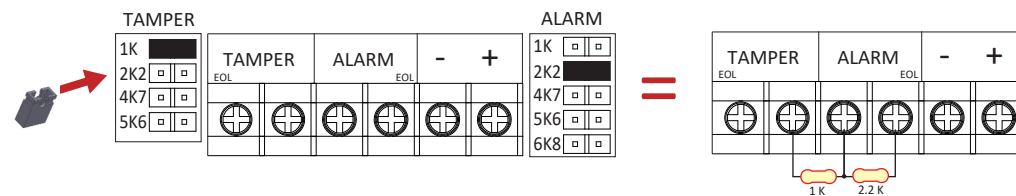


For double and triple EOL connection, the detector has two method for resistor wiring:

- (1) Use jumpers to select the End of Line resistance (Control panel dependent) on the ALARM/TAMPER pins.
- (2) Select an resistance (Control panel dependent), and add the resistor to ALARM/TAMPER wiring ports of the detector. Please select one resistor wiring method according to the figure below.

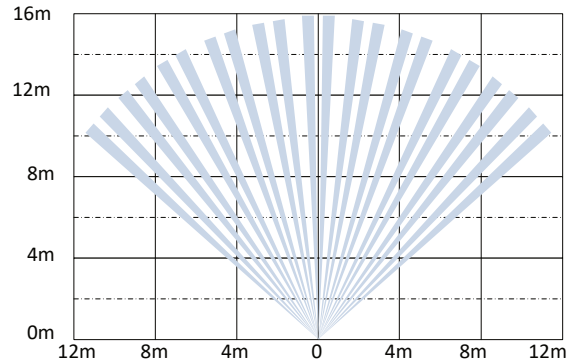
Alarm: 1K, 2K2, 4K7, 5K6, 6K8

Tamper: 1K, 2K2, 4K7, 5K6



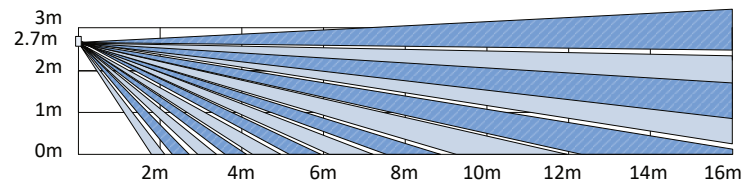
5 Detection Range

Top View

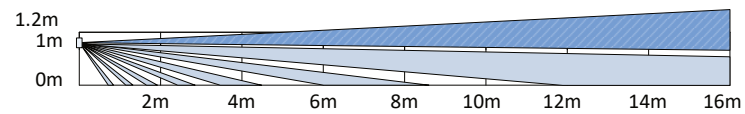


Side View

High Mounting



Low Mounting



6 Specification

Detection performance	Detection method	Passive Infrared
	Detection range	18 m (16m EN certified)
	Detection angle	90°
	Detection zones	118
	Detectable speed	0.3 to 2 m/s
	Sensitivity	Auto, Pet
	White light filter	20000 lux
	Pet immunity	Up to 24 Kg
Feature	Digital temperature compensation	Support
	Digital processing	Support
	Sealed optics	Support
Software features	Tamper protection	Front, Rear
	End of line resistance	Alarm: 1K, 2K2, 4K7, 5K6, 6K8 Tamper: 1K, 2K2, 4K7, 5K6
Hardware features	Alarm output	Normally Closed
Interface	LED	Blue (Alarm), Orange (Fault)
	Power supply	9 to 16 VDC
Electrical characteristics	Typical voltage	12 VDC
	Power consumption	Maximum current: 15 mA @12 VDC Quiescent current: 8 mA@12 VDC
General	Operation temperature	-25 °C to 70 °C (-13 °F to 158 °F)
	Storage temperature	-25 °C to 70 °C (-13 °F to 158 °F)
	Operation humidity	10% to 90%
	IP rate	IP65
	Dimension (W x H x D)	67.3 × 142.0 × 60.0 mm
	Weight	226.3 g
	Mounting height	2.5 to 3 m High Mount 0.8 to 1.2 m Low Mount
	Mounting method	Wall
Application scenario	Indoor, Outdoor	