

DS-2TD2667T-15/P

Thermographic Thermal & Optical Bi-spectrum Network Bullet Camera



Hikvision DS-2TD2667T-15/P Thermographic Thermal & Optical Bi-Spectrum Network Bullet Camera can be applied to substations, hydropower stations, waste incineration plants, manufacturing workshops, etc. The accurate temperature measurement device sends temperature exception alarms for loss prevention.

- 640 x 512 resolution, 17 μm , VOx UFPA, NETD < 35 mK (25 °C, F# = 1.0)
- Temperature exception alarm for fire prevention, -20 °C to 550 °C (-4 °F to 1022 °F), Max. (± 2 °C, $\pm 2\%$)
- Image processing technology: linear, histogram, self-adaptive thermal AGC mode, DDE, 3D DNR
- Fire detection algorithm

▪ Specification

| Thermal Module | |
|--------------------------|---|
| Image Sensor | Vanadium Oxide Uncooled Focal Plane Arrays |
| Resolution | 640 × 512 |
| Pixel Pitch | 17 μm |
| Spectral Range | 8 μm to 14 μm |
| NETD | <35 mk (25 °C, F# = 1.0) |
| Focal Length | 15 mm |
| IFOV | 1.13 mrad |
| Field of View | 42.5° × 33.6° (H × V) |
| Min. Focusing Distance | 2.5 m |
| Aperture | F 1.0 |
| Digital Zoom | ×2, ×4, ×8 |
| Optical Module | |
| Image Sensor | 1/2.7" Progressive Scan CMOS |
| Resolution | 2688 × 1520 |
| Min. Illumination | Color: 0.0089 Lux @ (F1.6, AGC ON), B/W: 0.0018 Lux @ (F1.6, AGC ON) |
| Shutter Speed | 1 s to 1/100,000 s |
| Focal Length | 4 mm |
| Field of View | 84° × 44.8° (H × V) |
| Aperture (Range) | F 1.6 |
| WDR | 120 dB |
| Image Effect | |
| Bi-spectrum Image Fusion | Display the details of optical channel on thermal channel |
| Picture in Picture | Display partial image of thermal channel on the full screen of optical channel |
| Target Coloration | Yes. Supported in white hot and black hot mode. |
| Illuminator | |
| IR Distance | Up to 40 m |
| IR Intensity and Angle | Automatically adjusted |
| Smart Function | |
| VCA | 4 VCA rule types (line crossing, intrusion, region entrance, and region exiting), up to 8 VCA rules in total. |
| Temperature Measurement | 3 temperature measurement rule types, 21 rules in total (10 points, 10 areas, and 1 line). |
| Temperature Range | - 20 °C to 550 °C (- 4 °F to 1022 °F) |
| Temperature Accuracy | Max (± 2 °C, ±2 %) |
| Fire Detection | Dynamic fire detection, up to 10 fire points detectable. |

| Video and Audio | |
|-------------------------|--|
| Main Stream | Thermal: 25 fps (1280 × 720, 704 × 576, 640 × 512, 352 × 288) Optical: 50 Hz: 25 fps (2688 × 1520, 1920 × 1080, 1280 × 720) 60 Hz: 30 fps (2688 × 1520, 1920 × 1080, 1280 × 720) |
| Sub-stream | Thermal: 25 fps (704 × 576, 640 × 512, 352 × 288) Optical: 50 Hz: 25 fps (704 × 576, 352 × 288, 176 × 144) 60 Hz: 30 fps (704 × 480, 352 × 240, 176 × 120) |
| Video Compression | Main Stream: H.265/H.264 Sub-Stream: H.265/H.264/MJPEG |
| Audio Compression | G.722.1/G.711ulaw/G.711alaw/MP2L2/G.726/PCM |
| Network | |
| Protocols | IPv4/IPv6, HTTP, HTTPS, 802.1x, QoS, FTP, SMTP, UPnP, SNMP, DNS, DDNS, NTP, RTSP, RTCP, RTP, TCP, UDP, IGMP, ICMP, DHCP, PPPoE,SSL |
| API | ISAPI, HIKVISION SDK, third-party management platform, ONVIF (Profile S, Profile G, Profile T) |
| Security | User authentication (ID and PW), MAC address binding, HTTPS encryption, IEEE 802.1x (EAP-MD5, EAP-TLS), access control, IP address filtering |
| Simultaneous Live View | Up to 20 channels |
| Client | iVMS-4200, Hik-Connect |
| Web Browser | Live view (plug-in allowed) : Internet Explorer 11 Live view (plug-in free) : Chrome 57.0 +, Firefox 52.0 + Local service : Chrome 57.0 +, Firefox 52.0 + |
| Network Storage | MicroSD/SDHC/SDXC card (up to 256 G) local storage, NAS (NFS, SMB/CIFS), Auto Network Replenishment (ANR) |
| User/Host level | Up to 32 users, 3 levels: Administrator, Operator, User |
| Interface | |
| Alarm Input | 2, alarm input (0-5 VDC) |
| Alarm Output | 2, alarm output (alarm response actions configurable) |
| Alarm Action | SD recording/Relay output/Smart capture/FTP upload/Email linkage |
| Audio Input | 1, 3.5 mm Mic in/Line in interface Line input: 2 - 2.4 V [p-p], output impedance: 1 KΩ ± 10% |
| Audio Output | Linear level, impedance: 600 Ω |
| Communication Interface | 1, RJ45 10 M/100 M self-adaptive Ethernet interface 1, RS-485 interface (half duplex) |

| General | |
|------------------------------|--|
| Web Client Language | 32 languages English, Russian, Estonian, Bulgarian, Hungarian, Greek, German, Italian, Czech, Slovak, French, Polish, Dutch, Portuguese, Spanish, Romanian, Danish, Swedish, Norwegian, Finnish, Croatian, Slovenian, Serbian, Turkish, Korean, Traditional Chinese, Thai, Vietnamese, Japanese, Latvian, Lithuanian, Portuguese (Brazil) |
| Power Supply | 24 VAC± 25%, 12 VDC± 25%, 24VDC, two-core terminal block PoE (802.3af, class 3) |
| Power Consumption | 18 VAC to 30 VAC: 0.38 A to 0.22 A, max. 9 W 9 VDC to 15 VDC: 0.63 A to 1.06 A, max. 9 W 24VDC: 0.375A, max 9W PoE (802.3af, class 3): 44 V to 57 V, 0.22 A to 0.17 A, max. 9.5 W |
| Working Temperature/Humidity | Temperature: - 40 °C to 65 °C (- 40 °F to 149 °F) Humidity: 95% or less |
| Protection Level | IP67 Standard TVS 6000V lightning protection, surge protection, voltage transient protection Ik10 rated housing |
| Dimensions | 376.1 mm × 119.1 mm × 118.1 mm (14.81" × 4.69" × 4.65") |
| Weight | Approx. 1.82 kg (4.01 lb) |

▪ Range Table

| VCA Range (Vehicles: 1.4 × 4.0 m) | VCA Range (Humans: 1.8 × 0.5 m) | Temperature Measurement (Object: 2 × 2 m) | Temperature Measurement (Object: 1 × 1 m) | Fire Detection (Object: 0.2 × 0.2 m) | Smoke Detection (Object: 0.5 × 0.5m) |
|--------------------------------------|------------------------------------|--|--|---|---|
| 309 m | 110 m | 351 m | 177 m | 150 m | 20 m |

▪ DORI

* The table is only for reference and the performance may vary according to different environment.

* The optimal human detection, recognition, and identification distances are calculated according to Johnson's Criteria.

Detection Range: In order to distinguish an object from the background, the object must be covered by 1.5 or more pixels.

Recognition Range: In order to classify the object (animal, human, vehicle, etc.), the object must be covered by 6 or more pixels.

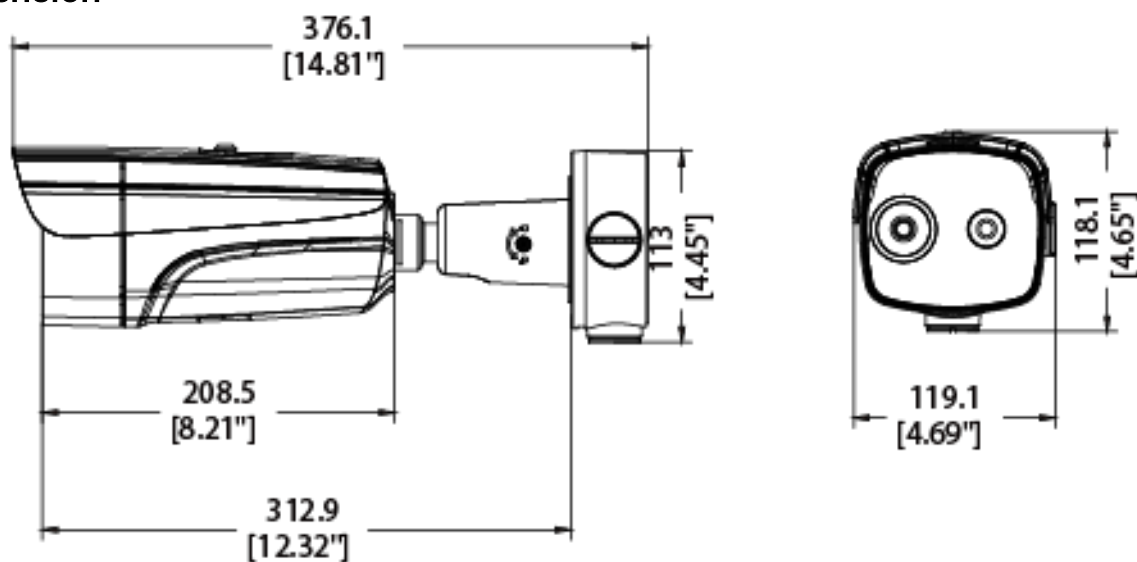
Identification Range: In order to identify the object and describe it in details, the object must be covered by 12 or more pixels.

| Detection Range (Vehicles: 1.4 × 4.0 m) | Detection Range (Humans: 1.8 × 0.5 m) | Recognition Range (Vehicles: 1.4 × 4.0 m) | Recognition Range (Humans: 1.8 × 0.5 m) | Identification Range (Vehicles: 1.4 × 4.0 m) | Identification Range (Humans: 1.8 × 0.5 m) |
|--|--|---|---|--|--|
| 1353 m | 441 m | 338 m | 110 m | 169 m | 55 m |

▪ **Available Model**

DS-2TD2667T-15/P

▪ **Dimension**





Unit:mm[Inch]

▪ **Accessory**

▪ **Included**

| DS-1260ZJ Junction box | DS-1260ZJ-AC#SA Junction box |
|---|---|
|  |  |

▪ **Optional**

| DS-1276ZJ-SUS Corner mount | DS-1275ZJ-S-SUS Vertical pole mount |
|---|---|
|  |  |

COMPLIANCE NOTICE: The thermal series products might be subject to export controls in various countries or regions, including without limitation, the United States, European Union, United Kingdom and/or other member countries of the Wassenaar Arrangement. Please consult your professional legal or compliance expert or local government authorities for any necessary export license requirements if you intend to transfer, export, re-export the thermal series products between different countries.

Headquarters

No.555 Qianmo Road, Binjiang District,
Hangzhou 310051, China
T +86-571-8807-5998
www.hikvision.com



Follow us on social media to get the latest product and solution information.

