

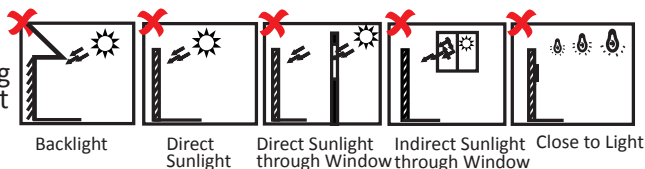


Card Reader  
Quick Start Guide  
UD30374B-B

## 1 Installation

### Installation Environment:

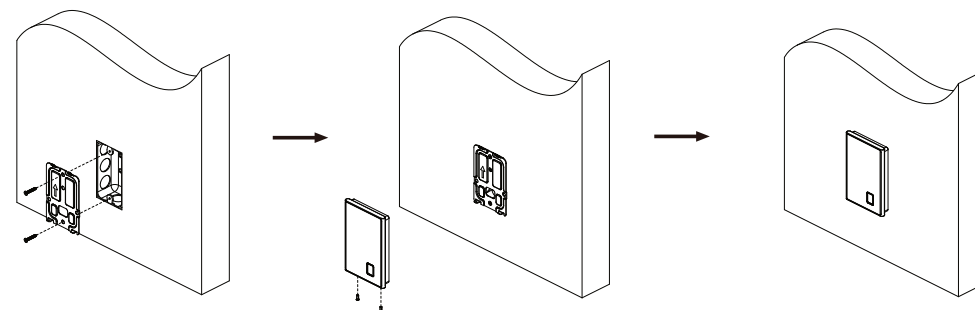
- Indoor and outdoor installation are supported. If installing the device indoors, the device should be at least 2 meters away from the light, and at least 3 meters away from the window or the door. If installing the device outdoors, you should apply Silicone sealant among the cable wiring area to keep the raindrop from entering.
- The additional force shall be equal to three times the weight of the equipment. The equipment and its associated mounting means shall remain secure during the installation. After the installation, the equipment, including any associated mounting plate, shall not be damaged.



### Wall Mounting with Gang Box

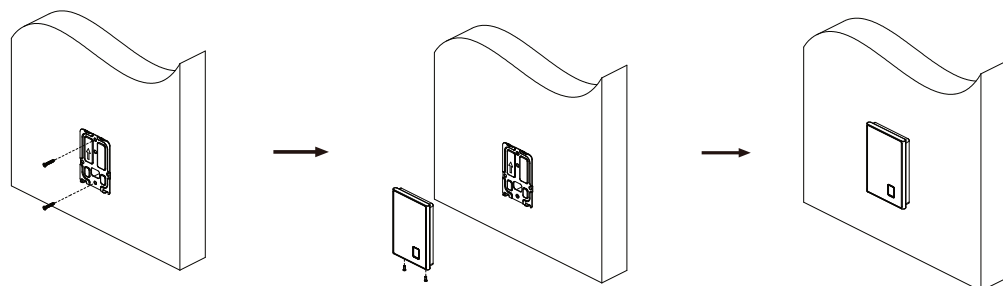
Gang box is not supplied.

- Make sure the gang box is installed on the wall.
- Secure the mounting plate on the gang box with the two supplied screws (SC-KA4X25). Remove the back cover and route the cable through the cable hole, wire the cables and insert the cables in the gang box.
- Align the device with the mounting plate, and secure the device on the mounting plate with 2 supplied screw (SC-KM3X8T10-SUS-NL).



### Wall Mounting without Gang Box

- Drill holes on the wall or other surface according to the instructions on the mounting template.
- Secure the mounting plate on the wall with two supplied screws (SC-KA4X25). Remove the back cover and route the cable through the cable hole, wire the cables and recover the back cover.
- Align the device with the mounting plate, and secure the device on the mounting plate with 1 supplied screw (SC-CM4X14\_5T10-SUSS).

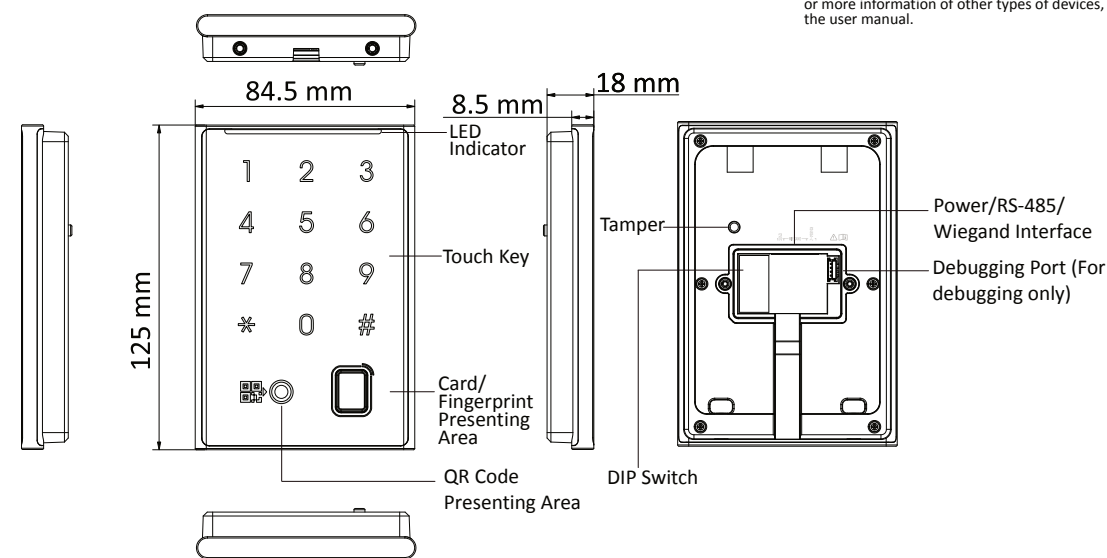


Scan the QR code to get the user manual for detailed information.



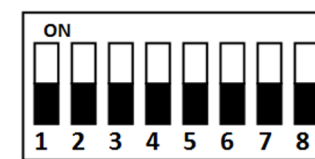
## 2 Appearance

Figures are for reference only.  
• The device which supports card, touch key, QR code and fingerprint is taken as an example for the figure of appearance. The function of touch key/QR code or fingerprint can only be supported by some types of devices. For figures of appearance or more information of other types of devices, please refer to the user manual.



## 3 DIP Switch Description

### DIP Switch Description



The DIP switch module is shown as left. The No. of DIP switch from left to right is 1 to 8.

- Represent 1 (ON) in binary mode
- Represent 0 (OFF) in binary mode

- DIP switch 1~4 refers to RS-485 address.** When the switch towards 1, it refers to 1. When the switch is towards 0, it refers to 0.

RS-485 Address	DIP Switch 1	DIP Switch 2	DIP Switch 3	DIP Switch 4
Address 1	ON	OFF	OFF	OFF
Address 2	OFF	ON	OFF	OFF
Address 3	ON	ON	OFF	OFF
Address 4	OFF	OFF	ON	OFF

- DIP switch 5 refers to card security.** When the switch is towards 1, it will enable M1 card encryption function and disable door open via NFC card. When the switch towards 0, it will disable M1 card encryption function, enable door open via NFC card, and read card No.
- DIP switch 6 refers to Wiegand protocol or RS-485 protocol.** When the switch is towards 1, it refers to Wiegand protocol. When the switch towards 0, it refers to RS-485 protocol.
- DIP switch 7 refers to Wiegand Protocol** (available when No. 6 is 1). When the switch towards 1, it refers to Wiegand protocol of 26-bit. When the switch is towards 0, it refers to Wiegand protocol of 34-bit.
- DIP switch 8 refers to Matched Resistance** (available for RS-485 protocol). When the switch towards 1, it refers to Enable. When the switch is towards 0, it refers to Disable.

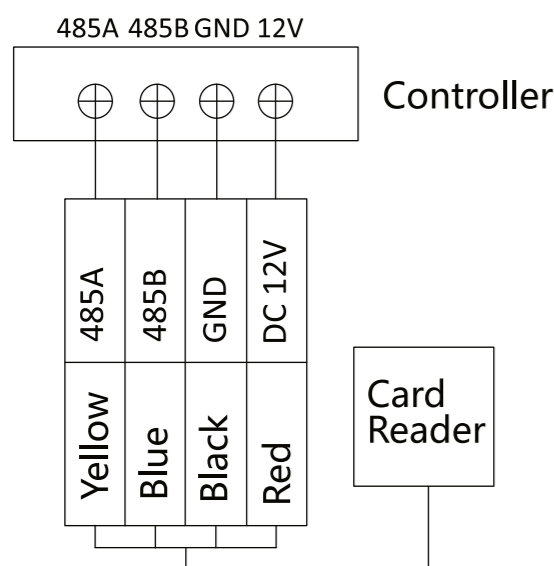
## 4 Wiring

Wire the cables between controller and card reader, thus to establish the communication between them.

### Wiring for RS-485 Communication Mode

#### Steps

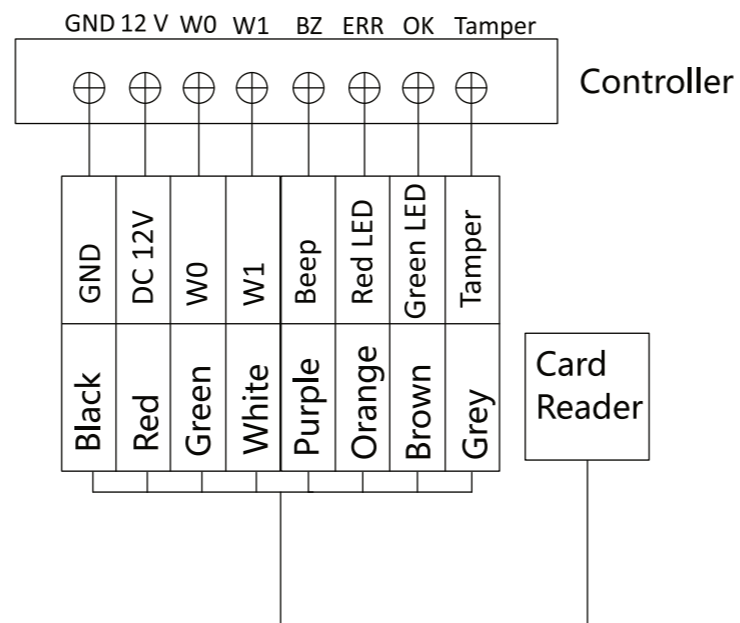
1. Set the DIP switch of No. 6 as 0.
2. Set the DIP switch of No. 1~4 for RS-485 address.
3. Wire the cable between controller and card reader as shown below.



### Wiring for Wiegand Communication Mode

#### Steps

1. Set the DIP switch of No. 6 as 1.
2. Set the DIP switch of No. 5 and 7 for reading card mode and Wiegand protocol.
3. Wire the cable between controller and card reader as shown below.



## 5 Sound Prompt and Indicator

After the card reader is powered on, LED status indicator will turn green and flashing once. Then it will turn red and flashing 3 times. At last the buzzer will send out a beep sound indicating the starting up process is completed.

### Sound Prompt Description

Sound Prompt	Description
One Beep	Successful operation of swiping card or pressing keys; QR code is detected; Time out prompt for pressing keys.
Two Beeps	The operation of swiping card is valid; The door is opened.
Three Beeps	The operation of swiping card is invalid; Fail to open the door.
Rapidly Continuous Beeps	Prompt for tamper-proof alarm; Prompt for buzzer alarm.
Slowly Continuous Beeps	The card reader is unencrypted.
Eight Rapid Beeps	The card is recognized as M1 card.

### LED Indicator Description

LED Indicator Status	Description
Green (flashing once), and red (flashing 3 times)	The card reader is power on.
Flashing green	Group recognition prompt.
Solid green for 2 s	The operation of pressing keys or swiping card is valid.
Flashing red for 3 times	The operation of pressing keys or swiping card is invalid.
Solid red	Standby mode under OSDP protocol. The indicator is controlled by the access controller.
Flashing red	For RS-485 protocol: Registering failed or card reader is offline.
White	Standby mode under RS-485 protocol.

## Regulatory Information

### FCC Information

Please take attention that changes or modification not expressly approved by the party responsible for compliance could void the user's authority to operate the equipment. FCC compliance: This equipment has been tested and found to comply with the limits for a Class B digital device, pursuant to part 15 of the FCC Rules. These limits are designed to provide reasonable protection against harmful interference in a residential installation. This equipment generates, uses and can radiate radio frequency energy and, if not installed and used in accordance with the instructions, may cause harmful interference to radio communications. However, there is no guarantee that interference will not occur in a particular installation. If this equipment does cause harmful interference to radio or television reception, which can be determined by turning the equipment off and on, the user is encouraged to try to correct the interference by one or more of the following measures:

- Reorient or relocate the receiving antenna.
- Increase the separation between the equipment and receiver.
- Connect the equipment into an outlet on a circuit different from that to which the receiver is connected.
- Consult the dealer or an experienced radio/TV technician for help.

### FCC Conditions

This device complies with part 15 of the FCC Rules. Operation is subject to the following two conditions:

1. This device may not cause harmful interference.
2. This device must accept any interference received, including interference that may cause undesired operation.



This product and - if applicable - the supplied accessories too are marked with "CE" and comply therefore with the applicable harmonized European standards listed under the RE Directive 2014/53/EU, the EMC Directive 2014/30/EU, the RoHS Directive 2011/65/EU.



2006/66/EC (battery directive): This product contains a battery that cannot be disposed of as unsorted municipal waste in the European Union. See the product documentation for specific battery information. The battery is marked with this symbol, which may include lettering to indicate cadmium (Cd), lead (Pb), or mercury (Hg). For proper recycling, return the battery to your supplier or to a designated collection point. For more information see: [www.recyclethis.info](http://www.recyclethis.info)



2012/19/EU (WEEE directive): Products marked with this symbol cannot be disposed of as unsorted municipal waste in the European Union. For proper recycling, return this product to your local supplier upon the purchase of equivalent new equipment, or dispose of it at designated collection points. For more information see: [www.recyclethis.info](http://www.recyclethis.info)

©2022 Hangzhou Hikvision Digital Technology Co., Ltd. All rights reserved.

### About this Manual

The Manual includes instructions for using and managing the Product. Pictures, charts, images and all other information hereinafter are for description and explanation only. The information contained in the Manual is subject to change without notice, due to firmware updates or other reasons. Please find the latest version of this Manual at the Hikvision website (<https://www.hikvision.com/>). Please use this Manual with the guidance and assistance of professionals trained in supporting the Product.

### Trademarks

HIKVISION and other Hikvision's trademarks and logos are the properties of Hikvision in various jurisdictions. Other trademarks and logos mentioned are the properties of their respective owners.

### Disclaimer

TO THE MAXIMUM EXTENT PERMITTED BY APPLICABLE LAW, THIS MANUAL AND THE PRODUCT DESCRIBED, WITH ITS HARDWARE, SOFTWARE AND FIRMWARE, ARE PROVIDED "AS IS" AND "WITH ALL FAULTS AND ERRORS". HIKVISION MAKES NO WARRANTIES, EXPRESS OR IMPLIED, INCLUDING WITHOUT LIMITATION, MERCHANTABILITY, SATISFACTORY QUALITY, OR FITNESS FOR A PARTICULAR PURPOSE. THE USE OF THE PRODUCT BY YOU IS AT YOUR OWN RISK. IN NO EVENT WILL HIKVISION BE LIABLE TO YOU FOR ANY SPECIAL, CONSEQUENTIAL, INCIDENTAL, OR INDIRECT DAMAGES, INCLUDING, AMONG OTHERS, DAMAGES FOR LOSS OF BUSINESS PROFITS, BUSINESS INTERRUPTION, OR LOSS OF DATA, CORRUPTION OF SYSTEMS, OR LOSS OF DOCUMENTATION, WHETHER BASED ON BREACH OF CONTRACT, TORT (INCLUDING NEGLIGENCE), PRODUCT LIABILITY, OR OTHERWISE, IN CONNECTION WITH THE USE OF THE PRODUCT, EVEN IF HIKVISION HAS BEEN ADVISED OF THE POSSIBILITY OF SUCH DAMAGES OR LOSS.

YOU ACKNOWLEDGE THAT THE NATURE OF THE INTERNET PROVIDES FOR INHERENT SECURITY RISKS, AND HIKVISION SHALL NOT TAKE ANY RESPONSIBILITIES FOR ABNORMAL OPERATION, PRIVACY LEAKAGE OR OTHER DAMAGES RESULTING FROM CYBER-ATTACK, HACKER ATTACK, VIRUS INFECTION, OR OTHER INTERNET SECURITY RISKS; HOWEVER, HIKVISION WILL PROVIDE TIMELY TECHNICAL SUPPORT IF REQUIRED.

YOU AGREE TO USE THIS PRODUCT IN COMPLIANCE WITH ALL APPLICABLE LAWS, AND YOU ARE SOLELY RESPONSIBLE FOR ENSURING THAT YOUR USE CONFORMS TO THE APPLICABLE LAW, ESPECIALLY, YOU ARE RESPONSIBLE, FOR USING THIS PRODUCT IN A MANNER THAT DOES NOT INFRINGE ON THE RIGHTS OF THIRD PARTIES INCLUDING WITHOUT LIMITATION, RIGHTS OF PUBLICITY, INTELLECTUAL PROPERTY RIGHTS, OR DATA PROTECTION AND OTHER PRIVACY RIGHTS. YOU SHALL NOT USE THIS PRODUCT FOR ANY PROHIBITED END-USES, INCLUDING THE DEVELOPMENT OR PRODUCTION OF WEAPONS OF MASS DESTRUCTION, THE DEVELOPMENT OR PRODUCTION OF CHEMICAL OR BIOLOGICAL WEAPONS, ANY ACTIVITIES IN THE CONTEXT RELATED TO ANY NUCLEAR EXPLOSIVE OR UNSAFE NUCLEAR FUEL-CYCLE, OR IN SUPPORT OF HUMAN RIGHTS ABUSES.

### Data Protection

During the use of device, personal data will be collected, stored and processed. To protect data, the development of Hikvision devices incorporates privacy by design principles. For example, for device with facial recognition features, biometrics data is stored in your device with encryption method; for fingerprint device, only fingerprint template will be saved, which is impossible to reconstruct a fingerprint image. As data controller, you are advised to collect, store, process and transfer data in accordance with the applicable data protection laws and regulations, including without limitation, conducting security controls to safeguard personal data, such as, implementing reasonable administrative and physical security controls, conduct periodic reviews and assessments of the effectiveness of your security controls.

## Safety Instruction



### Warning

- All the electronic operation should be strictly compliance with the electrical safety regulations, fire prevention regulations and other related regulations in your local region.
- Please use the power adapter, which is provided by normal company. The power consumption cannot be less than the required value.
- Do not connect several devices to one power adapter as adapter overload may cause over-heat or fire hazard.
- Please make sure that the power has been disconnected before you wire, install or dismantle the device.
- When the product is installed on wall or ceiling, the device shall be firmly fixed.
- If smoke, odors or noise rise from the device, turn off the power at once and unplug the power cable, and then please contact the service center.
- If the product does not work properly, please contact your dealer or the nearest service center. Never attempt to disassemble the device yourself. (We shall not assume any responsibility for problems caused by unauthorized repair or maintenance.)



### Caution

- Do not drop the device or subject it to physical shock, and do not expose it to high electromagnetic radiation. Avoid the equipment installation on vibrations surface or places subject to shock (ignorance can cause equipment damage).
- Do not place the device in extremely hot (refer to the specification of the device for the detailed operating temperature), cold, dusty or damp locations, and do not expose it to high electromagnetic radiation. The appropriate temperature is -40°C to 65°C.
- The device cover for indoor use shall be kept from rain and moisture.
- Exposing the equipment to direct sun light, low ventilation or heat source such as heater or radiator is forbidden (ignorance can cause fire danger).
- Do not aim the device at the sun or extra bright places. A blooming or smear may occur otherwise (which is not a malfunction however), and affecting the endurance of sensor at the same time.
- Please use the provided glove when open up the device cover, avoid direct contact with the device cover, because the acidic sweat of the fingers may erode the surface coating of the device cover.
- Please use a soft and dry cloth when clean inside and outside surfaces of the device cover, do not use alkaline detergents.
- Please keep all wrappers after unpack them for future use. In case of any failure occurred, you need to return the device to the factory with the original wrapper. Transportation without the original wrapper may result in damage on the device and lead to additional costs.
- Improper use or replacement of the battery may result in hazard of explosion. Replace with the same or equivalent type only. Dispose of used batteries according to the instructions provided by the battery manufacturer.
- Please take care of your card and report card loss in time when card is lost.
- If you require a higher security level, use multiple authentication modes.
- Multiple card types are supported. Please select an appropriate card type according to the card performance and the usage scenarios.