



# **Network Positioning System**

## **Quick Start Guide**

## **Quick Start Guide**

COPYRIGHT ©2018 Hangzhou Hikvision Digital Technology Co., Ltd.

### **ALL RIGHTS RESERVED.**

Any and all information, including, among others, wordings, pictures, graphs are the properties of Hangzhou Hikvision Digital Technology Co., Ltd. or its subsidiaries (hereinafter referred to be “Hikvision”). This user manual (hereinafter referred to be “the Manual”) cannot be reproduced, changed, translated, or distributed, partially or wholly, by any means, without the prior written permission of Hikvision. Unless otherwise stipulated, Hikvision does not make any warranties, guarantees or representations, express or implied, regarding to the Manual.

### **About this Manual**

This Manual is applicable to Network Positioning System.

The Manual includes instructions for using and managing the product. Pictures, charts, images and all other information hereinafter are for description and explanation only. The information contained in the Manual is subject to change, without notice, due to firmware updates or other reasons. Please find the latest version in the company website (<http://overseas.hikvision.com/en/>).

Please use this user manual under the guidance of professionals.

### **Trademarks Acknowledgement**

**HIKVISION** and other Hikvision’s trademarks and logos are the properties of Hikvision in various jurisdictions. Other trademarks and logos mentioned below are the properties of their respective owners.

### **Legal Disclaimer**

TO THE MAXIMUM EXTENT PERMITTED BY APPLICABLE LAW, THE PRODUCT DESCRIBED, WITH ITS HARDWARE, SOFTWARE AND FIRMWARE, IS PROVIDED “AS IS”, WITH ALL FAULTS AND ERRORS, AND HIKVISION MAKES NO WARRANTIES, EXPRESS OR IMPLIED, INCLUDING WITHOUT LIMITATION, MERCHANTABILITY, SATISFACTORY QUALITY, FITNESS FOR A PARTICULAR PURPOSE, AND NON-INFRINGEMENT OF THIRD PARTY. IN NO EVENT WILL HIKVISION, ITS DIRECTORS, OFFICERS, EMPLOYEES, OR AGENTS BE LIABLE TO YOU FOR ANY SPECIAL, CONSEQUENTIAL, INCIDENTAL, OR INDIRECT DAMAGES, INCLUDING, AMONG OTHERS, DAMAGES FOR LOSS OF BUSINESS PROFITS, BUSINESS INTERRUPTION, OR LOSS OF DATA OR DOCUMENTATION, IN CONNECTION WITH THE USE OF THIS PRODUCT, EVEN IF HIKVISION HAS BEEN ADVISED OF THE POSSIBILITY OF SUCH DAMAGES.

REGARDING TO THE PRODUCT WITH INTERNET ACCESS, THE USE OF PRODUCT SHALL BE WHOLLY AT YOUR OWN RISKS. HIKVISION SHALL NOT TAKE ANY RESPONSIBILITIES FOR

ABNORMAL OPERATION, PRIVACY LEAKAGE OR OTHER DAMAGES RESULTING FROM CYBER ATTACK, HACKER ATTACK, VIRUS INSPECTION, OR OTHER INTERNET SECURITY RISKS; HOWEVER, HIKVISION WILL PROVIDE TIMELY TECHNICAL SUPPORT IF REQUIRED. SURVEILLANCE LAWS VARY BY JURISDICTION. PLEASE CHECK ALL RELEVANT LAWS IN YOUR JURISDICTION BEFORE USING THIS PRODUCT IN ORDER TO ENSURE THAT YOUR USE CONFORMS THE APPLICABLE LAW. HIKVISION SHALL NOT BE LIABLE IN THE EVENT THAT THIS PRODUCT IS USED WITH ILLEGITIMATE PURPOSES.

IN THE EVENT OF ANY CONFLICTS BETWEEN THIS MANUAL AND THE APPLICABLE LAW, THE LATER PREVAILS.

## Regulatory Information

### FCC Information

Please take attention that changes or modification not expressly approved by the party responsible for compliance could void the user's authority to operate the equipment.

**FCC compliance:** This equipment has been tested and found to comply with the limits for a Class A digital device, pursuant to part 15 of the FCC Rules. These limits are designed to provide reasonable protection against harmful interference when the equipment is operated in a commercial environment. This equipment generates, uses, and can radiate radio frequency energy and, if not installed and used in accordance with the instruction manual, may cause harmful interference to radio communications. Operation of this equipment in a residential area is likely to cause harmful interference in which case the user will be required to correct the interference at his own expense.

### FCC Conditions

This device complies with part 15 of the FCC Rules. Operation is subject to the following two conditions:

1. This device may not cause harmful interference.
2. This device must accept any interference received, including interference that may cause undesired operation

### EU Conformity Statement



This product and - if applicable - the supplied accessories too are marked with "CE" and comply therefore with the applicable harmonized European standards listed under the Low Voltage Directive 2015/35/EU, the EMC

Directive 2014/30/EU, the RoHS Directive 2011/65/EU.



2012/19/EU (WEEE directive): Products marked with this symbol cannot be disposed of as unsorted municipal waste in the European Union. For proper recycling, return this product to your local supplier upon the purchase of equivalent new equipment, or dispose of it at designated collection points.

For more information see: [www.recyclethis.info](http://www.recyclethis.info).



2006/66/EC (battery directive): This product contains a battery that cannot be disposed of as unsorted municipal waste in the European Union. See the product documentation for specific battery information. The battery is marked with this symbol, which may include lettering to indicate cadmium (Cd), lead (Pb), or mercury (Hg). For proper recycling, return the battery to your

supplier or to a designated collection point. For more information see:

[www.recyclethis.info](http://www.recyclethis.info).

### Industry Canada ICES-003 Compliance

This device meets the CAN ICES-3 (A)/NMB-3(A) standards requirements.



## Safety Instruction

These instructions are intended to ensure that user can use the product correctly to avoid danger or property loss.

The precaution measure is divided into **Warnings** and **Cautions**:

**Warnings:** Neglecting any of the warnings may cause serious injury or death.

**Cautions:** Neglecting any of the cautions may cause injury or equipment damage.

	
<b>Warnings</b> Follow these safeguards to prevent serious injury or death.	<b>Cautions</b> Follow these precautions to prevent potential injury or material damage.



### Warnings

- Adopt the power adapter which can meet the safety extra low voltage (SELV) standard. The power consumption cannot be less than the required value.
- Do not connect several devices to one power adapter as an adapter overload may cause over-heating and can be a fire hazard.
- When the product is installed on a wall or ceiling, the device should be firmly fixed.
- To reduce the risk of fire or electrical shock, do not expose the indoor used product to rain or moisture.
- This installation should be made by a qualified service person and should conform to all the local codes.
- Install blackouts equipment into the power supply circuit for convenient supply interruption.
- If the product does not work properly, contact your dealer or the nearest service center. Never attempt to disassemble the product yourself. (We shall not assume any responsibility for problems caused by unauthorized repair or maintenance.)



### Cautions

- If the network positioning system fails to synchronize local time with that of the network, you need to set up network positioning system time manually. Visit the network positioning system (via web browser or client software) and enter system settings interface for time settings.
- Make sure the power supply voltage is correct before using the product.
- Do not drop the product or subject it to physical shock. Do not install the product on vibratory surface or places.
- Do not expose it to high electromagnetic radiating environment.
- Do not aim the lens at the strong light such as sun or incandescent lamp. The strong light can cause fatal damage to the product.

- The sensor may be burned out by a laser beam, so when any laser equipment is being used, make sure that the surface of the sensor not be exposed to the laser beam.
- For working temperature, refer to the specification manual for details.
- To avoid heat accumulation, good ventilation is required for a proper operating environment.
- While shipping, the product should be packed in its original packing.
- Use the provided glove when open up the product cover. Do not touch the product cover with fingers directly, because the acidic sweat of the fingers may erode the surface coating of the product cover.
- Use a soft and dry cloth when clean inside and outside surfaces of the product cover. Do not use alkaline detergents.
- Improper use or replacement of the battery may result in hazard of explosion. Use the manufacturer recommended battery type.

## Table of Contents

<b>1 Overview</b> .....	<b>7</b>
1.1 Introduction .....	7
1.1.1 Overview of DY5xxx Series Network Positioning System .....	7
1.1.2 Overview of DY7xxx Series Network Positioning System .....	8
1.1.3 Overview of DY9xxx Series Network Positioning System .....	10
1.2 Cable Descriptions .....	11
1.3 Alarm Input/Output .....	12
<b>2 Installation</b> .....	<b>13</b>
2.1 Installing DY9xxx Network Positioning System .....	13
2.1.1 Installing DY9xxx Series Laser Network Positioning System (Type III and Type IV) .....	13
2.1.2 Installing DY9xxx Series IR Network Positioning System (Type II) .....	18
2.1.3 Installing DY9xxx Series Network Positioning System (Type I) .....	21
2.2 Installing DY7xxx Network Positioning System .....	21
2.3 Installing DY5xxx Network Positioning System .....	21
<b>3 Setting the Positioning System over the LAN</b> .....	<b>22</b>
3.1 Wiring .....	22
3.2 Activating the Positioning System .....	22
3.2.1 Activation via Web Browser .....	23
3.2.2 Activation via SADP Software .....	24
3.3 Modifying the IP Address .....	25
<b>4 Accessing via Web browser</b> .....	<b>27</b>
<b>5 Operating via Hik-Connect App</b> .....	<b>29</b>
5.1 Enable Hik-Connect Service on Positioning System .....	29
5.1.1 Enable Hik-Connect Service via SADP Software .....	29
5.1.2 Enable Hik-Connect Service via Web Browser .....	30
5.2 Hik-Connect Setup .....	30
5.3 Adding Positioning System to Hik-Connect .....	31
5.4 Initializing the Memory Card .....	32

# 1 Overview

## 1.1 Introduction

The network positioning system has three series:

- DY5xxx Series
- DY7xxx Series
- DY9xxx Series

### 1.1.1 Overview of DY5xxx Series Network Positioning System

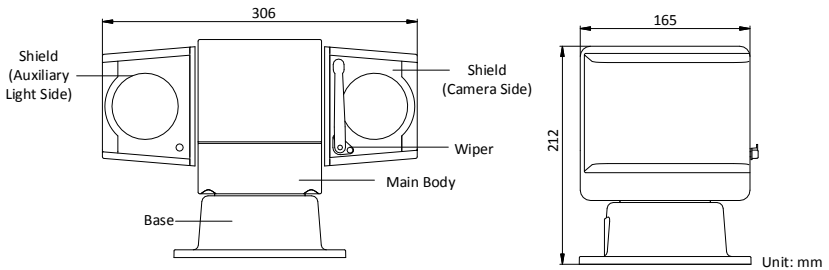


Figure 1-1 Dimensions of DY5xxx Series Network Positioning System (Type I)

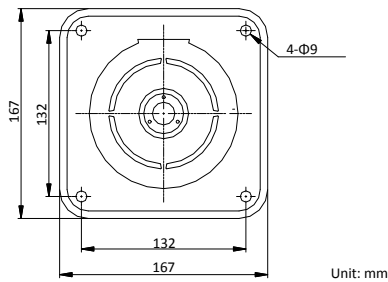


Figure 1-2 Bottom View of DY5xxx Series Network Positioning System (Type I)



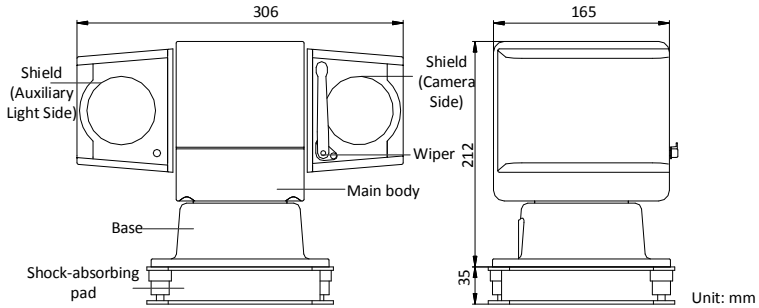


Figure 1-3 Dimensions of DY5xxx Series Mobile Network Positioning System (Type II)

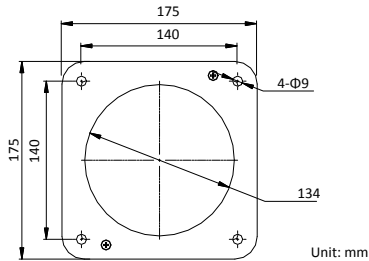


Figure 1-4 Dimensions of Shock-absorbing Pad for DY5xxx Series Mobile Network Positioning System (Type II)

### 1.1.2 Overview of DY7xxx Series Network Positioning System

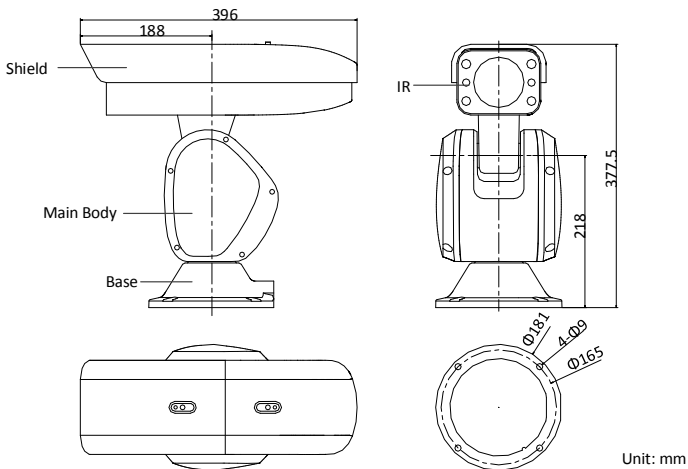


Figure 1-5 Dimensions of DY7xxx Series IR Network Positioning System (Type I)



### 1.1.3 Overview of DY9xxx Series Network Positioning System

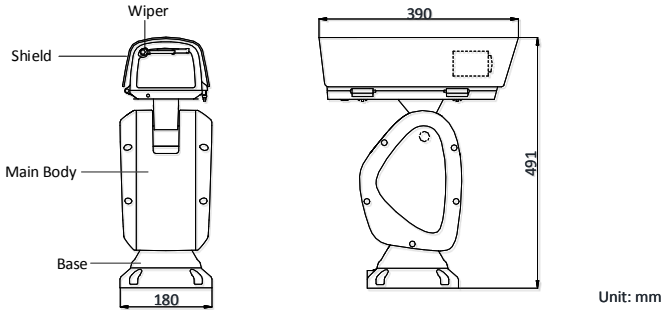


Figure 1-8 Dimensions of DY9xxx Series Network Positioning System (Type I)

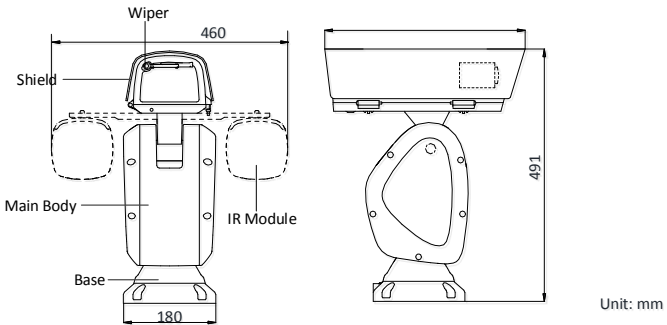


Figure 1-9 Dimensions of DY9xxx Series IR Network Positioning System (Type II)

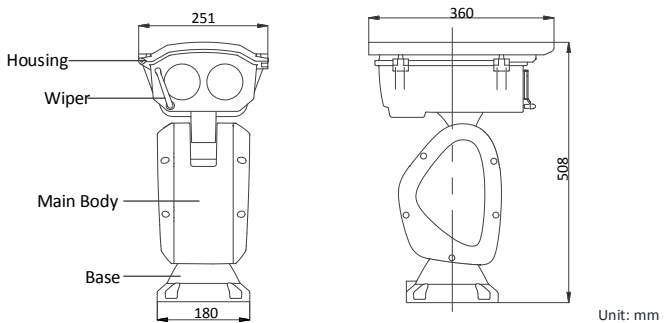


Figure 1-10 Dimensions of DY9xxx Series Laser Network Positioning System (Type III)

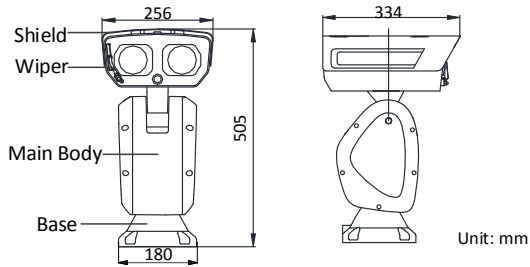


Figure 1-11 Dimension of DY9xxx Series Laser Network Positioning System (Type IV)

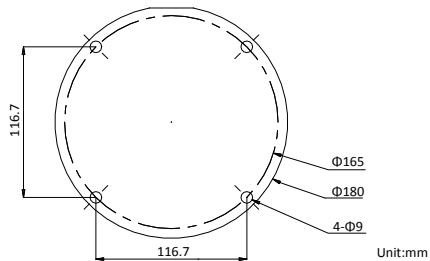


Figure 1-12 Bottom View of DY9xxx Series Network Positioning System

## 1.2 Cable Descriptions

Cables of network positioning system are shown in Figure 1-13. The cables are distinguished by different colors. Refer to the labels attached on the cables for identification.

**Notes:**

- The cables vary depending on different positioning system models.
- Make sure the positioning system is power-off before you connect the cables.

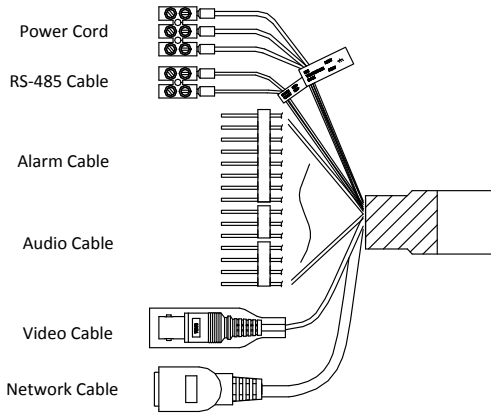


Figure 1-13 Cables

### 1.3 Alarm Input/Output

Network positioning system can be connected with alarm input (0 to 5 VDC) and alarm output as shown in Figure 1-14. The alarm provides the relay output (no voltage), and the external power supply is required when it connects to the alarm device.

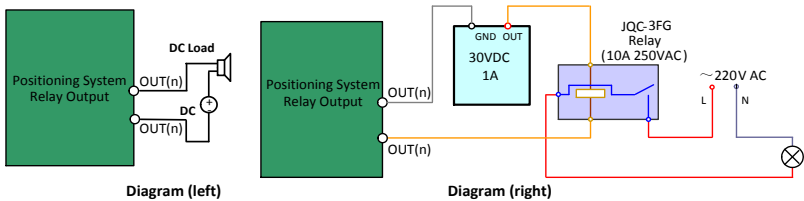


Figure 1-14 Alarm Output Connection

- For DC power supply (left diagram), the input voltage must be no more than 30 VDC, 1A.
- For AC power supply, the external relay must be used (right diagram) to prevent damages to the positioning system and avoid risk of electric shock.

**Note:**

Alarm input/output function varies depending on different positioning system models.

## 2 Installation

### **Before you start:**

Check the package contents and make sure that the device in the package is in good condition and all the assembly parts are included.

### **Notes:**

- Do not power the positioning system up until the installation is finished. To ensure safety of personnel and equipment, all the installation steps should be done with power supply off.
- The positioning system is much heavier than the normal camera, and it strongly demands for load-bearing and stability of the upholder. It's highly recommended to install the system to the upholder directly.
- If you need to install the positioning system to the bracket, refer to bottom view of the positioning system as shown in section **1.1 Introduction** to select the bracket. The load-bearing and anti-shake capabilities must be fully taken into consideration.

## 2.1 Installing DY9xxx Network Positioning System

### 2.1.1 Installing DY9xxx Series Laser Network Positioning System (Type III and Type IV)

#### **Steps:**

1. Fix the positioning system.
  - 1) Fix the positioning system onto the bracket pedestal with the supplied M8\*30 screws as shown in Figure 2-1 and Figure 2-2.

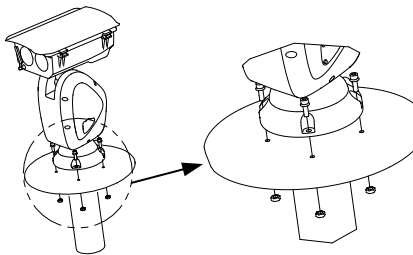


Figure 2-1 Fix the Positioning System (Type III)

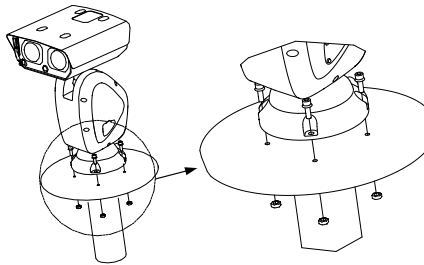


Figure 2-2 Fix the Positioning System (Type IV)

**Note:**

The thickness of the pedestal steel plate should be more than 5 mm.

- 2) Connect the corresponding cables.
2. Adjust the laser.
- 1) Observe the location of laser spot in the image. Adjust the zoom ratio of the lens to a large value, the laser supplementary lighting system will adjust the light according to the zoom ratio, and then you can see the laser spot on the live view image.  
If the spot location is the same as shown in figure A, you can skip the step of adjusting the laser; if not, you need to adjust the laser.

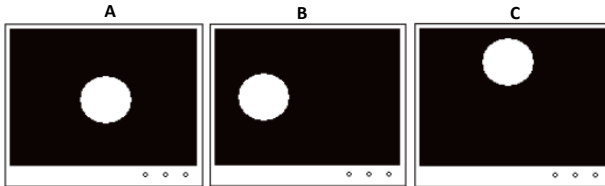


Figure 2-3 Laser Spot Location

**Note:**

You can zoom in/out to adjust the size of the laser spot. The spot location shown in figure A is the optimum location.

- 2) For type III camera, loosen the inner hexagon screws with the wrench and open the lid of housing.

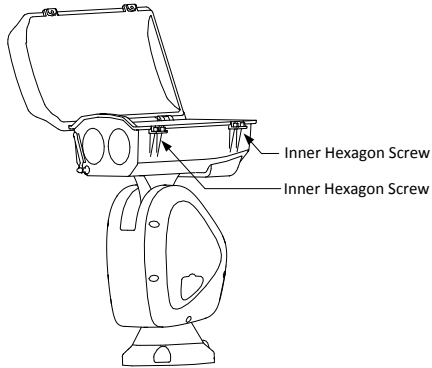


Figure 2-4 Open the Lid of Housing (Type III)

For type IV camera, loosen the screws of sunshield and top cover. Take down the sunshield and top cover.

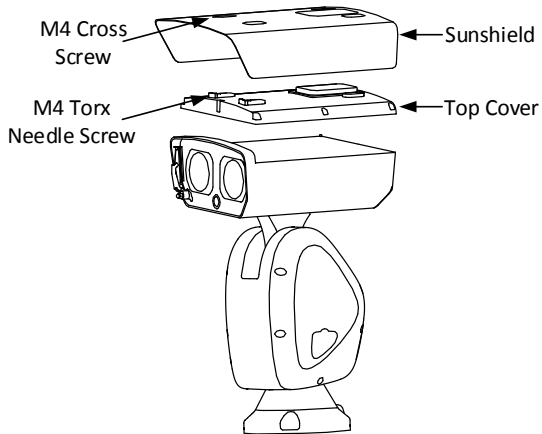


Figure 2-5 Open the Sunshield of Housing (Type IV)

- 3) Insert the memory card into the memory card slot.



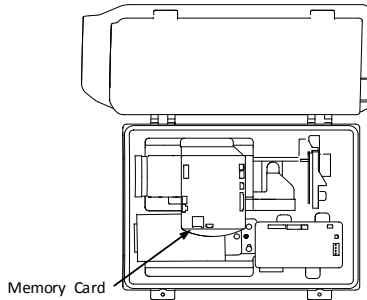
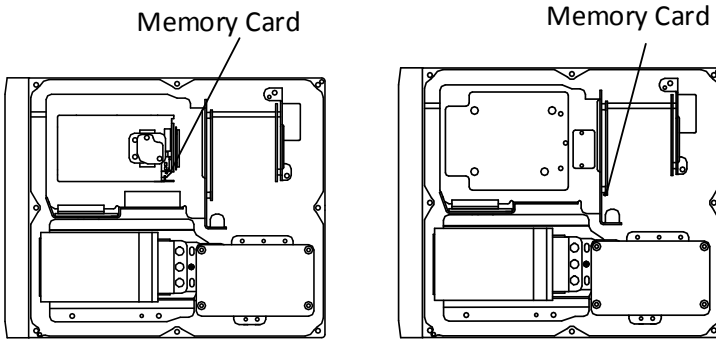


Figure 2-6 Insert the Memory Card (Type III)



DarkFighterX

Figure 2-7 Insert the Memory Card (Type IV)

- 4) Slightly adjust the control screws for the laser according to the actual situation.

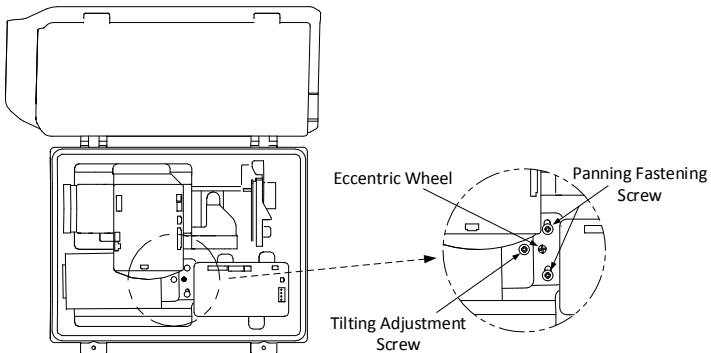


Figure 2-8 Adjust the Laser (Type III)

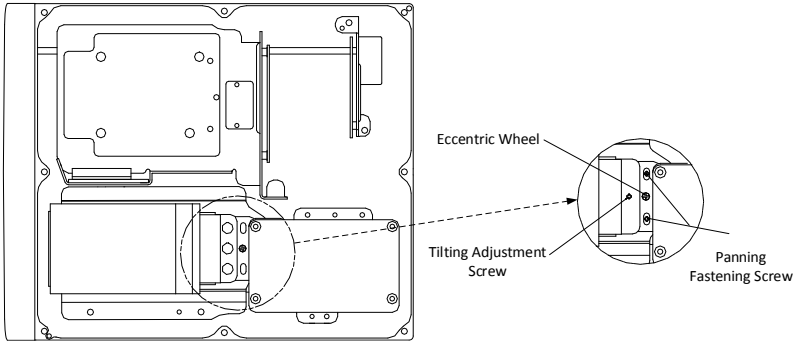


Figure 2-9 Adjust the Laser (Type IV)

**Notes:**

- **Panning Adjustment:** Loosen the two panning fastening screws, rotate the eccentric wheel to adjust the laser spot in the horizontal direction, and fasten the screws after adjusting.
  - **Tilt Adjustment:** Tighten or loosen the tilting adjustment screw to adjust the position of the laser spot in the vertical direction.
3. Restore the housing and tighten the screws for waterproof.

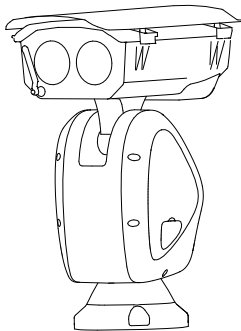


Figure 2-10 Restore the Housing (Type III)

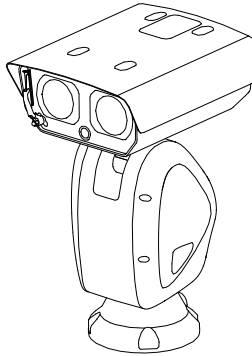


Figure 2-11 Restore the Housing (Type IV)

4. Connect the corresponding cables and turn the power on; the system will do the self-test automatically.

### 2.1.2 Installing DY9xxx Series IR Network Positioning System (Type II)

#### Steps:

1. Install the IR module.
  - 1) Align the screw holes on the IR bracket with the screw holes on the housing as shown in Figure 2-12. Insert and tighten the two M4\*10 screws to secure the bracket.

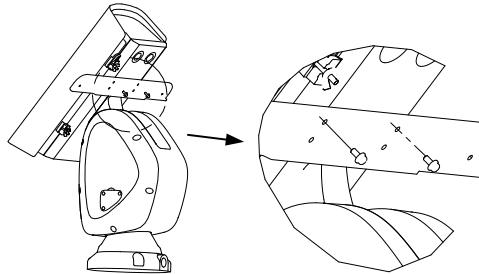


Figure 2-12 Secure the IR Bracket

- 2) Loosen and remove the screws on the top of IR module. Align the screw holes on the IR module with the screw holes on the IR bracket, and secure the IR module to the IR bracket with the screws.

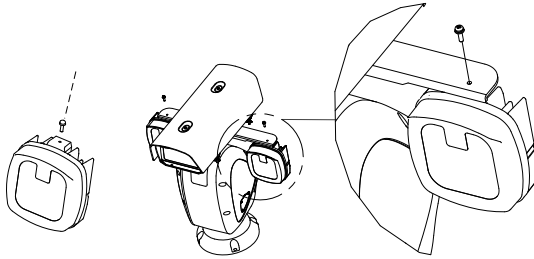


Figure 2-13 Secure the IR Module

- 3) Align the buckles to the screw holes on the IR bracket and secure them with two M4\*10 screws.

**Note:**

The buckles are fixed with the cable by default.

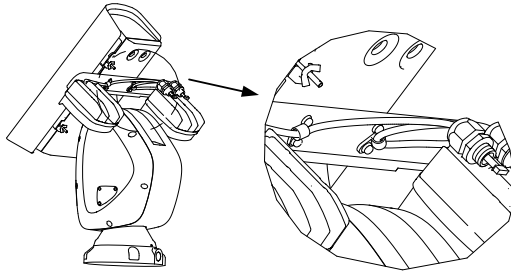


Figure 2-14 Secure the Cables to IR Bracket

2. Route the cables of IR modules.

- 1) Pull out the two original plugs from the housing.
- 2) Loosen the nuts on the water-proof cable plugs.
- 3) Route the IR module cables through the cable holes on the housing respectively.
- 4) Rotate the locking plug clockwise and tightly to the housing.
- 5) Insert the cables to the housing as much as possible, and fasten the water-proof cable nuts with a wrench.

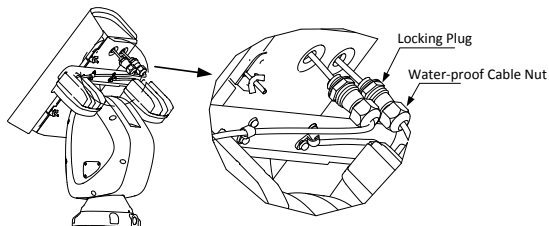


Figure 2-15 Route the Cables

3. Connect the cables of IR modules.
  - 1) Loosen the toggles from the bolts on the downside of the housing and pull the bolts outward from the housing.
  - 2) Open the lid.

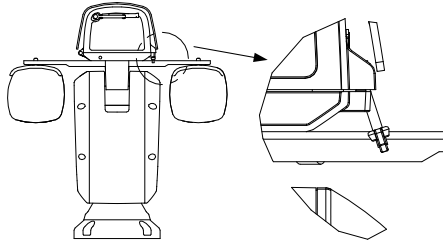


Figure 2-16 Open the Housing

- 3) Connect the cables to the connectors on the housing respectively.

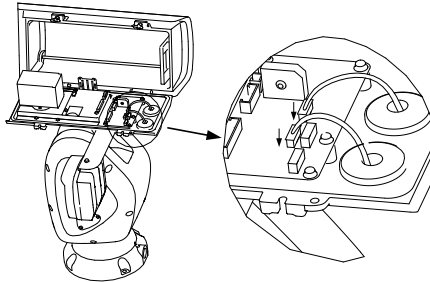


Figure 2-17 Connect the Cables

4. Insert the memory card into the memory card slot as shown in Figure 2-18 and Figure 2-19.

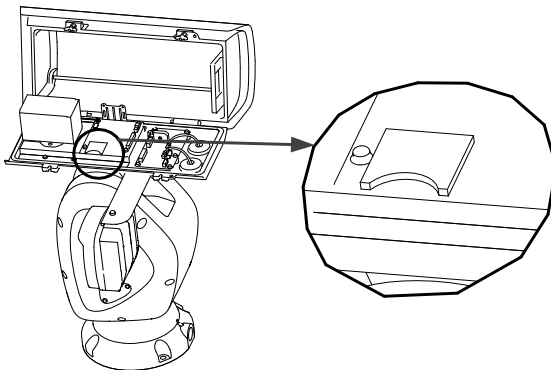


Figure 2-18 Install the Memory Card

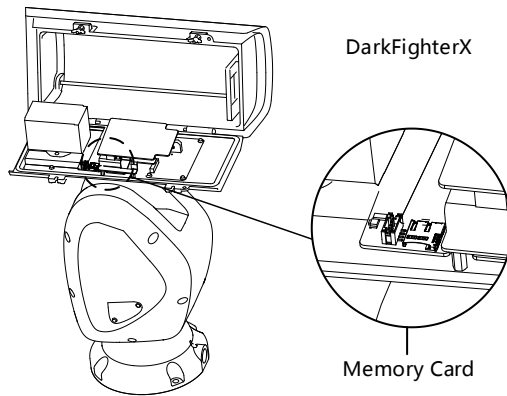


Figure 2-19 Install the Memory Card (DarkFighterX)

5. Restore the housing and tighten the screws for waterproof.
6. Fix the positioning system. Refer to **Step 1 Fix the positioning system**, in section **2.1.1 Installing DY9xxx Series Laser Network Positioning System (Type III and Type IV)**.
7. Connect the corresponding cables and turn the power on; the system will do the self-test automatically.

### 2.1.3 Installing DY9xxx Series Network Positioning System (Type I)

Installation for DY9xxx Series Network Positioning System (Type I) is similar to the installation for DY9xxx Series IR Network Positioning System (Type II). Refer to section **2.1.2 Installing DY9xxx Series IR Network Positioning System (Type II)**.

## 2.2 Installing DY7xxx Network Positioning System

There are two types of DY7xxx series network positioning system: DY7xxx Series IR Network Positioning System (Type I) and DY7xxx Series Network Positioning System (Type II).

Installation for DY7xxx series network positioning system is similar to the installation for DY9xxx Series Laser Network Positioning System (Type III). Refer to section **2.1.1 Installing DY9xxx Series Laser Network Positioning System (Type III and Type IV)**.

## 2.3 Installing DY5xxx Network Positioning System

Make sure that there is enough space to install the position system. Refer to section **1.1.1 Overview of DY5xxx Series Network Positioning System** for the dimensions.

## 3 Setting the Positioning System over the LAN

### Notes:

- You shall acknowledge that the use of the product with Internet access might be under network security risks. For avoidance of any network attacks and information leakage, strengthen your own protection. If the product does not work properly, contact with your dealer or the nearest service center.
- To ensure the network security of the network positioning system, we recommend you to have the positioning system assessed and maintained termly. You can contact us if you need such service.

### 3.1 Wiring

To view and configure the network positioning system via LAN (Local Area Network), you need to connect the positioning system in the same subnet with your PC. Then, install the SADP or client software to search and change the IP address of network positioning system.

Connect the network positioning system to network according to Figure 3-1 and Figure 3-2.

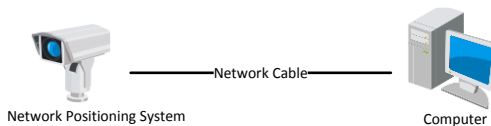


Figure 3-1 Connecting Directly

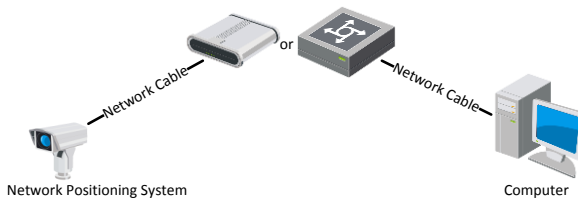


Figure 3-2 Connecting via a Switch or a Router

### 3.2 Activating the Positioning System

#### Purpose:

You are required to activate the positioning system first by setting a strong password for it before you can use the positioning system.

Activation via web browser, activation via SADP software, and activation via client software are supported. We will take activation via web browser and activation via SADP software as examples to introduce the positioning system activation.

**Note:**

For the details of activation via client software, refer to the user manual of the network positioning system.

### 3.2.1 Activation via Web Browser

**Steps:**

1. Power on the positioning system. Connect the positioning system to your computer or the switch/router which your computer connects to.
2. Input the IP address into the address bar of the web browser, and enter the activation interface.

**Notes:**

- The default IP address of the positioning system is 192.168.1.64.
- The computer and the positioning system should belong to the same subnet.
- For the positioning system enables the DHCP by default, you need to use the SADP software to search the IP address.

The screenshot shows a web browser window titled "Activation". It features three input fields: "User Name" (containing "admin"), "Password", and "Confirm". Below the "Password" field, there is a text box with the following text: "Valid password range (8-16). You can use a combination of numbers, lowercase, uppercase and special character for your password with at least two kinds of them contained." An "OK" button is located at the bottom right of the form.

Figure 3-3 Activation Interface (Web)

3. Create a password and input the password into the password field.



**STRONG PASSWORD RECOMMENDED**— *We highly recommend you create a strong password of your own choosing (using a minimum of 8 characters, including upper case letters, lower case letters, numbers, and special characters) in order to increase the security of your product. And we recommend you reset your password regularly, especially in the high security system, resetting the password monthly or weekly can better protect your product.*

4. Confirm the password.
5. Click **OK** to activate the positioning system and enter the live view interface.



### 3.2.2 Activation via SADP Software

SADP software is used for detecting the online device, activating the device, and resetting the password.

Get the SADP software from the supplied disk or the official website, and install the SADP software according to the prompts.

Follow the steps to activate the positioning system.

#### Steps:

1. Run the SADP software to search the online devices.
2. Check the device status from the device list, and select an inactive device.

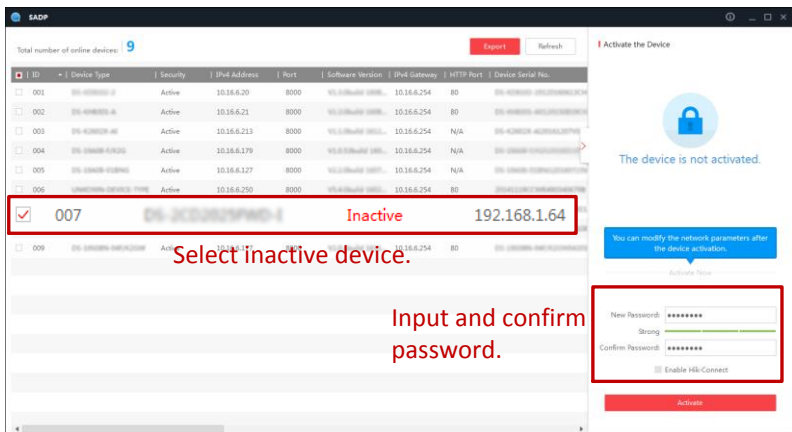


Figure 3-4 SADP Interface

#### Note:

The SADP software supports activating the positioning system in batch. Refer to the user manual of SADP software for details.

3. Create a password and input the password in the password field, and confirm the password.



**STRONG PASSWORD RECOMMENDED**– We highly recommend you create a strong password of your own choosing (using a minimum of 8 characters, including upper case letters, lower case letters, numbers, and special characters) in order to increase the security of your product. And we recommend you reset your password regularly, especially in the high security system, resetting the password monthly or weekly can better protect your product.

#### Note:

You can enable the Hik-Connect service for the device during activation. Refer to section **5.1 Enable Hik-Connect Service on Positioning System**.

Hik-Connect service is not supported by certain positioning system models.

4. Click **Activate** to save the password.

**Note:**

You can check whether the activation is completed on the popup window. If activation failed, make sure that the password meets the requirement and try again.

### 3.3 Modifying the IP Address

**Purpose:**

To view and configure the network positioning system via LAN (Local Area Network), you need to connect the positioning system in the same subnet with your PC. Then, install the SADP software or client software to search and change the IP address of network positioning system. We will take modifying the IP address via SADP software as an example to introduce the IP address modification.

**Note:**

For IP address modification via client software, refer to the user manual of client software.

**Steps:**

1. Run the SADP software.
2. Select an active device.
3. Change the device IP address to the same subnet with your computer by either modifying the IP address manually or checking the **Enable DHCP** checkbox.

Figure 3-5 Modify the IP Address

**Note:**

You can enable the Hik-Connect service for the device during activation. Refer to section **5.1 Enable Hik-Connect Service on Positioning System**.

Hik-Connect service is not supported by certain positioning system models.

4. Input the admin password and click **Modify** to activate your IP address modification. The batch IP address modification is supported by SADP. Refer to the user manual of SADP for details.

## 4 Accessing via Web browser

### System Requirement:

Operating System: Microsoft Windows XP SP1 and above version/Vista/Win7/Server 2003/Server 2008 32bits

CPU: Intel Pentium IV 3.0 GHz or higher

RAM: 1G or higher

Display: 1024×768 resolution or higher

Web Browser: Internet Explorer 7.0 and above version, Apple Safari 5.02 and above version, Mozilla Firefox 5 and above version and Google Chrome 8 and above version

### Steps:

1. Open the web browser.
2. In the browser address bar, input the IP address of the network positioning system, and enter the login interface.

#### Note:

The default IP address is 192.168.1.64. You are recommended to change the IP address to the same subnet with your computer.

3. Input the user name and password.

The admin user should configure the device accounts and user/operator permissions properly. Delete the unnecessary accounts and user/operator permissions.

#### Note:

The device IP address gets locked if the admin user performs 7 failed password attempts (5 attempts for the user/operator).

4. Click **Login**.

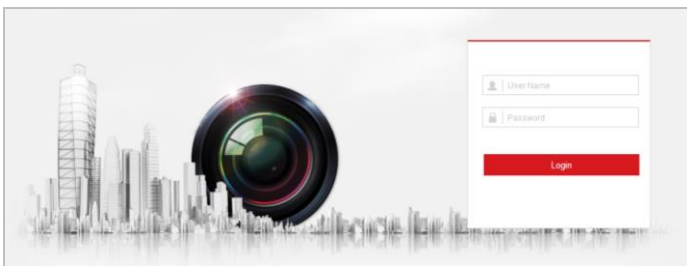


Figure 4-1 Login Interface

5. Install the plug-in before viewing the live video and managing the network positioning system. Follow the installation prompts to install the plug-in.

#### Note:

You may have to close the web browser to finish the installation of the plug-in.

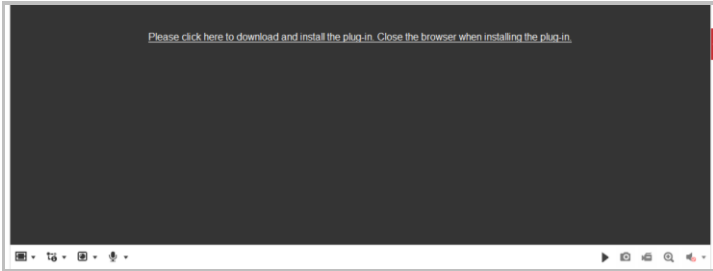


Figure 4-2 Download Plug-in

6. Reopen the web browser after the installation of the plug-in and repeat above step 2 to step 4 to login.

**Note:**

For detailed instructions of further configuration, refer to the user manual of network positioning system.

## 5 Operating via Hik-Connect App

### **Purpose:**

Hik-Connect is an application for mobile devices. With the App, you can view live image of the positioning system, receive alarm notification and so on.

### **Note:**

Hik-Connect service is not supported by certain positioning system models.

## 5.1 Enable Hik-Connect Service on Positioning System

### **Purpose:**

Hik-Connect service should be enabled on your positioning system before using the service.

You can enable the service through SADP software or web browser.

### 5.1.1 Enable Hik-Connect Service via SADP Software

#### **Steps:**

1. Check the **Enable Hik-Connect** checkbox on:
  - 1) "Activate the Device" page during positioning system activation, refer to section **3.2.2 Activation via SADP Software**.
  - 2) Or "Modify Network Parameters" page during modifying IP address, refer to section **3.3 Modifying the IP Address**.
2. Create a verification code or change the verification code.

Figure 5-1 Verification Code Setting (SADP)

### **Note:**

The verification code is required when you add the positioning system to Hik-Connect app.

3. Click and read "Terms of Service" and "Privacy Policy".
4. Confirm the settings.

### 5.1.2 Enable Hik-Connect Service via Web Browser

**Before you start:**

You need to activate the positioning system before enabling the service. Refer to section **3.2 Activating the Positioning System**.

**Steps:**

1. Access the positioning system via web browser. Refer to **Chapter 4 Accessing via Web browser**.
2. Enter platform access configuration interface:

**Configuration > Network > Advanced Settings > Platform Access**

The screenshot shows a web-based configuration form for Platform Access. It contains the following elements:

- Enable
- Platform Access Mode: Hik-Connect (dropdown menu)
- Server IP: dev.hik-connect.com (text input) with a  Custom checkbox
- Register Status: Offline (dropdown menu)
- Verification Code: [masked with 6 dots] (text input)
- Below the verification code field, there is a note: "6 to 12 letters (a to z, A to Z) or numbers (0 to 9), case sensitive. You are recommended to use"
- A red **Save** button at the bottom.

Figure 5-2 Platform Access Configuration (Web)

3. Select Platform Access Mode as Hik-Connect.
4. Check the **Enable** checkbox.
5. Click and read "Terms of Service" and "Privacy Policy" in pop-up window.
6. Create a verification code or change the verification code for the positioning system.

**Note:**

The verification code is required when you add the positioning system to Hik-Connect app.

7. Save the settings.

## 5.2 Hik-Connect Setup

**Steps:**

1. Download and install the Hik-Connect app by searching "Hik-Connect" in App Store or Google Play™.
2. Launch the app and register for a Hik-Connect user account.
3. Log in Hik-Connect app after registration.

## 5.3 Adding Positioning System to Hik-Connect

### Before you start:

You need to enable the Hik-Connect service on positioning system before adding it to your Hik-Connect account. Refer to section **5.1 Enable Hik-Connect Service on Positioning System**.

### Steps:

1. Use a network cable to connect the positioning system with a router if the positioning system does not support Wi-Fi.



Figure 5-3 Connect a Router

### Note:

- After the positioning system connects to the network, wait one minute before any operation on the positioning system using Hik-Connect app.
  - You can also connect the positioning system via optical interface.
2. In the Hik-Connect app, tap “+” on the upper-right corner and then scan the QR code of the positioning system to add the positioning system.

You can find the QR code on the positioning system or on the cover of the quick start guide of the positioning system in the package.

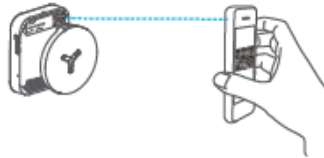



Figure 5-4 Scan QR Code

### Note:

If the QR code is missing or too blur to be recognized, you can also add the positioning system by tapping the  icon and inputting the positioning system 's serial number.

3. Input the verification code of your positioning system.

### Notes:

- The required verification code is the code you create or change when you enabling Hik-Connect service on positioning system.
- If you forget the verification code, you can check the current verification code on **Platform Access** configuration page via web browser.



4. Follow the prompts to set the network connection and add the positioning system to your Hik-Connect account.

**Note:**

For detailed information, refer to the user manual of the Hik-Connect app.

## 5.4 Initializing the Memory Card

Check the memory card status by tapping on the Storage Status in the Device Settings interface.

If the memory card status displays as Uninitialized, tap to initialize it. The status will then change to Normal. You can then start recording any event triggered video in the positioning system such as motion detection.

