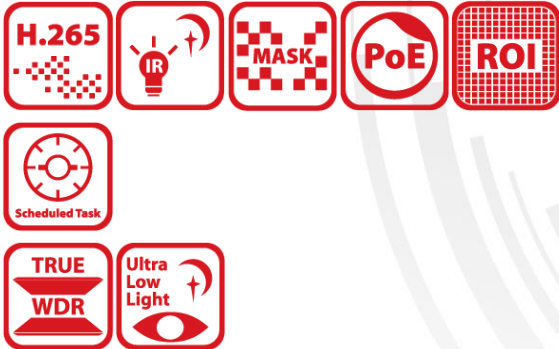


## DS-2DE7225IW-AE(S6) 2 MP 25× IR Network Speed Dome



Hikvision DS-2DE7225IW-AE(S6) 2 MP 25 × IR Network Speed Dome adopts 1/2.8" progressive scan CMOS chip. With the 25× optical zoom lens, the camera offers more details over expansive areas. This series of cameras can be widely used for wide ranges of high-definition, such as the rivers, roads, railways, airports, squares, parks, scenic spots, and venues.

- 1/2.8" progressive scan CMOS
- High quality imaging with 2 MP resolution
- Excellent low-light performance with powered-by-DarkFighter technology
- 25× optical zoom and 16× digital zoom provide close up views over expansive areas
- WDR, HLC, BLC, 3D DNR, defog, regional exposure, regional focus
- Expansive night view with up to 200 m IR distance
- 24 VAC & Hi-PoE
- Support H.265+/H.265 video compression



## ▪ DORI

The DORI (detect, observe, recognize, identify) distance gives the general idea of the camera ability to distinguish persons or objects within its field of view.

It is calculated based on the camera sensor specification and the criteria given by EN 62676-4: 2015.

| DORI            | Detect               | Observe             | Recognize           | Identify           |
|-----------------|----------------------|---------------------|---------------------|--------------------|
| Definition      | 25 px/m              | 63 px/m             | 125 px/m            | 250 px/m           |
| Distance (Tele) | 1600.0 m (5249.3 ft) | 634.9 m (2083.1 ft) | 320.0 m (1049.9 ft) | 160.0 m (524.9 ft) |

## ▪ Specification

| Camera Module           |   |
|-------------------------|---|
| Image Sensor            | 1/2.8" progressive scan CMOS  |
| Min. Illumination       | Color: 0.005Lux @ (F1.6, AGC ON); B/W: 0.001Lux @ (F1.6, AGC ON), 0 Lux with IR   |
| Shutter Speed           | 1 s to 1/30,000 s   |
| Slow Shutter            | yes   |
| Focus                   | semi-auto, manual, auto   |
| Day & Night             | ICR   |
| Day/Night Switch        | day, night, auto, scheduled-switch  |
| BLC                     | yes   |
| WDR                     | 120 dB WDR  |
| HLC                     | yes   |
| 3D DNR                  | yes   |
| Defog                   | yes   |
| Regional Exposure       | yes   |
| Regional Focus          | yes   |
| Image Settings          | saturation, brightness, contrast, sharpness   |
| Image Parameters Switch | yes   |
| White Balance           | auto, ATW, sodium lamp, fluorescent lamp, indoor, outdoor, MWB, Locked WB   |
| Digital Zoom            | 16x   |
| Optical Zoom            | 25x   |
| Privacy Mask            | up to 24 masks, mask color configurable   |
| SNR                     | > 52dB  |
| Lens                    |   |
| Focal Length            | 4.8 mm to 120 mm, 25x Optical   |
| Zoom Speed              | approx. 3.6 s   |
| FOV                     | Horizontal field of view: 57.6° to 2.5° (wide-tele),<br>Vertical field of view: 34.4° to 1.4° (wide-tele),<br>Diagonal field of view: 64.5° to 2.9° (wide-tele) |
| Aperture                | F1.6  |
| PTZ                     |   |
| Movement Range (Pan)    | 360°  |
| Movement Range (Tilt)   | -15° to 90° (auto flip)   |
| Pan Speed               | pan speed: configurable from 0.1° to 160°/s; preset speed: 240°/s   |
| Tilt Speed              | tilt speed: configurable from 0.1° to 120°/s, preset speed 200°/s   |
| Proportional Zoom       | yes   |

|                             |  |
|-----------------------------|--|
| Presets                     | 300  |
| Patrol Scan                 | 8 patrols, up to 32 presets for each patrol  |
| Pattern Scan                | 4 pattern scans  |
| Power-off Memory            | yes  |
| Park Action                 | preset, pattern scan, patrol scan, auto scan, tilt scan, random scan, frame scan, panorama scan  |
| 3D Positioning              | yes  |
| PTZ Status Display          | yes  |
| Preset Freezing             | yes  |
| Scheduled Task              | preset, pattern scan, patrol scan, auto scan, tilt scan, random scan, frame scan, panorama scan, dome reboot, dome adjust, aux output  |
| <b>Video</b>                |  |
| Max. Resolution             | 1920 × 1080  |
| Stream Type                 | main stream, sub-stream, third stream  |
| Main Stream                 | 50 Hz: 25 fps (1920 × 1080, 1280 × 960, 1280 × 720)<br>60 Hz: 30 fps (1920 × 1080, 1280 × 960, 1280 × 720)   |
| Sub-Stream                  | 50 Hz: 25 fps (704 × 576, 640 × 480, 352 × 288)<br>60 Hz: 30 fps (704 × 480, 640 × 480, 352 × 240)   |
| Third Stream                | 50 Hz: 25 fps (1920 × 1080, 1280 × 960, 1280 × 720, 704 × 576, 640 × 480, 352 × 288)<br>60 Hz: 30 fps (1920 × 1080, 1280 × 960, 1280 × 720, 704 × 480, 640 × 480, 352 × 240)                         |
| Video Compression           | H.265, H.264, MJPEG  |
| Video Bit Rate              | 32 kbps to 16384 kbps  |
| H.264 Type                  | baseline profile, main profile, high profile   |
| H.265 Type                  | main profile   |
| H.264+                      | yes  |
| H.265+                      | yes  |
| SVC                         | yes  |
| ROI                         | fixed region, main stream, sub-stream and third stream respectively support eight fixed areas  |
| <b>Audio</b>                |  |
| Audio Compression           | G.711alaw, G.711ulaw, G.722.1, G.726, MP2L2, PCM   |
| Audio Bit rate              | MP2L2: 32 kbps, 40 kbps, 48 kbps, 56 kbps, 64 kbps, 80 kbps, 96 kbps, 112 kbps, 128 kbps, 144 kbps, 160 kbps, 192 kbps   |
| Audio Sampling Rate         | MP2L2: 16 kHz, 32 kHz, 48 kHz, PCM: 8 kHz, 16 kHz, 32 kHz, 48 kHz  |
| Environment Noise Filtering | yes  |
| <b>Smart Features</b>       |  |
| Basic Event                 | motion detection, alarm input, alarm output, video tampering alarm, exception  |
| Smart Event                 | face detection, intrusion detection, line crossing detection, region entrance detection, region exiting detection, unattended baggage detection, object removal detection, audio exception detection |
| Smart Tracking              | manual tracking, event tracking, auto-tracking   |
| Smart Record                | ANR, Dual-VCA  |
| Alarm Linkage               | memory card video recording, alarm output, sending email, notify surveillance center, upload to FTP, smart tracking, NAS video recording   |

| Network                       |   |
|-------------------------------|---|
| Network Storage               | NAS (NFS, SMB/ CIFS)  |
| Protocols                     | IPv4/IPv6, HTTP, HTTPS, 802.1x, Qos, FTP, SMTP, UPnP, SNMP, DNS, DDNS, NTP, RTSP, RTCP, RTP, TCP/IP, UDP, IGMP, ICMP, DHCP, PPPoE, Bonjour, ISUP, WebSocket, WebSockets |
| API                           | Open-ended API, ISAPI, Hikvision SDK, Third-party management platform, Hik-Connect, ISUP, Open Network Video Interface, CGI   |
| Simultaneous Live View        | 20  |
| User/Host                     | 32  |
| Security Measures             | Authenticated username and password, MAC address binding, HTTPS encryption, 802.1X authenticated access, IP address filter  |
| Client                        | iVMS-4200, Hik-Connect  |
| Web Browser                   | IE10-11, Chrome 57+, Firefox 52+, Safari 12+  |
| Interface                     |   |
| Communication Interface       | RJ45, self-adaptive 10M/100M Ethernet port  |
| On-board Storage              | support microSD/microSDHC/microSDXC cards, up to 256 GB   |
| Alarm Input                   | 2 alarm inputs  |
| Alarm Output                  | 1 alarm output  |
| Audio Input                   | 1 audio input, 2.0 to 2.4Vp-p, 1k Ohm±10%   |
| Audio Output                  | 1 audio output, line level, impedance: 600 Ω  |
| Supplement Light              |   |
| IR Distance                   | Up to 200 m   |
| General                       |   |
| Power                         | 24 VAC, PoE (802.3at)   |
| Power Consumption and Current | Max. 24 W, including max. 1.6 W for heater and 12 W for IR  |
| Operating Conditions          | -30°C to 65°C (-22°F to 149°F), humidity lower than 90%RH   |
| Reset                         | yes   |
| Demist                        | yes   |
| Material                      | ADC12   |
| Dimensions                    | ∅ 220 mm × 353.4 mm (∅ 8.66" × 13.91")  |
| Weight                        | Approx. 4.5 kg (9.92 lb.)   |
| Approval                      |   |
| Protection                    | IP66 Standard, 6000V Lightning Protection, Surge Protection and Voltage Transient Protection, IK10 (excluding glass window)   |

## ▪ Available Model

DS-2DE7225IW-AE(S6)(B)

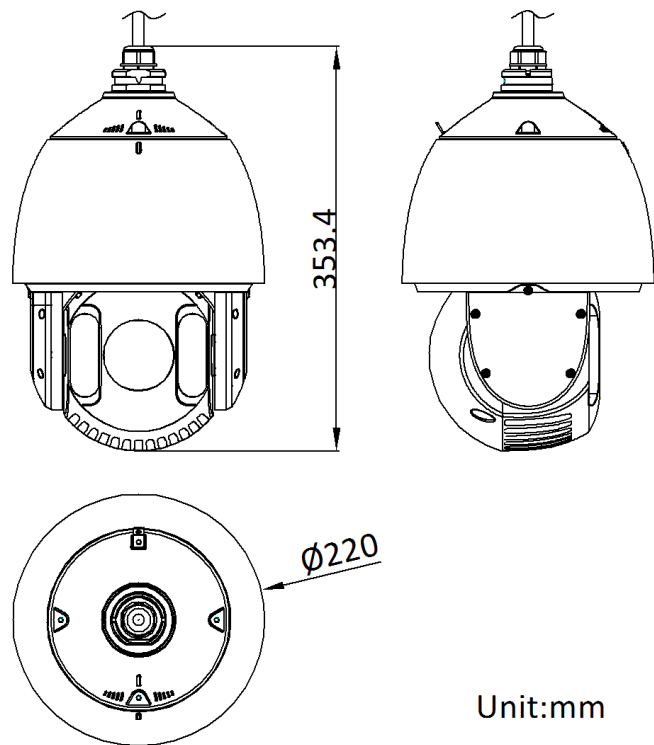
## ▪ Typical Application

Hikvision products are classified into three levels according to their anti-corrosion performance. Refer to the following description to choose for your using environment.

This model has NO SPECIFIC PROTECTION.

| Level                  | Description  |
|------------------------|--|
| Top-level protection   | Hikvision products at this level are equipped for use in areas where professional anti-corrosion protection is a must. Typical application scenarios include coastlines, docks, chemical plants, and more.   |
| Moderate protection    | Hikvision products at this level are equipped for use in areas with moderate anti-corrosion demands. Typical application scenarios include coastal areas about 2 kilometers (1.24 miles) away from coastlines, as well as areas affected by acid rain. |
| No specific protection | Hikvision products at this level are equipped for use in areas where no specific anti-corrosion protection is needed.  |

▪ **Dimension**



▪ **Accessory**

▪ **Optional**

| DS-1619ZJ | DS-1681ZJ | DS-1602ZJ | DS-1673ZJ | DS-1660ZJ |
|-----------|-----------|-----------|-----------|-----------|
|           |           |           |           |           |

|   |   |   |   |   |
|---|---|---|---|---|
| <b>DS-1100KI(B)</b>   | <b>DS-1682ZJ</b>  | <b>DS-1604ZJ-corner</b>   | <b>DS-1005KI</b>  | <b>DS-1663ZJ</b>  |
|    |    |    |  |  |
| <b>DS-1604ZJ-BOX-CORNER</b>   | <b>DS-1667ZJ</b>  | <b>DS-1604ZJ</b>  | <b>DS-1661ZJ</b>  | <b>DS-1604ZJ-box</b>  |
|    |    |    |  |  |
| <b>DS-1604ZJ-pole</b>   | <b>DS-1604ZJ-BOX-POLE</b>   | <b>DS-1662ZJ</b>  |   |   |
|  |  |  |   |   |

*\*DS-1673ZJ should be used with DS-1661ZJ or DS-1662ZJ.*

Distributed by

**HIKVISION®****Headquarters**

No.555 Qianmo Road, Binjiang District,  
Hangzhou 310051, China  
T +86-571-8807-5998  
overseasbusiness@hikvision.com

**Hikvision USA**  
T +1-909-895-0400  
sales.usa@hikvision.com

**Hikvision Australia**  
T +61-2-8599-4233  
salesau@hikvision.com

**Hikvision India**  
T +91-22-28469900  
sales@pramahikvision.com

**Hikvision Canada**  
T +1-866-200-6690  
sales.canada@hikvision.com

**Hikvision Thailand**  
T +662-275-9949  
sales.thailand@hikvision.com

**Hikvision Europe**  
T +31-23-5542770  
sales.eu@hikvision.com

**Hikvision Italy**  
T +39-0438-6902  
info.it@hikvision.com

**Hikvision Brazil**  
T +55 11 3318-0050  
Latam.support@hikvision.com

**Hikvision Turkey**  
T +90 (216)521 7070- 7074  
sales.tr@hikvision.com

**Hikvision Malaysia**  
T +601-7652-2413  
sales.my@hikvision.com

**Hikvision UK & Ireland**  
T +01628-902140  
sales.uk@hikvision.com

**Hikvision South Africa**  
Tel: +27 (10) 0351172  
sale.africa@hikvision.com

**Hikvision France**  
T +33(0)1-85-330-450  
info.fr@hikvision.com

**Hikvision Kazakhstan**  
T +7-727-9730667  
nikia.panfilov@hikvision.ru

**Hikvision Vietnam**  
T +84-974270888  
sales.vt@hikvision.com

**Hikvision UAE**  
T +971-4-4432090  
salesme@hikvision.com

**Hikvision Singapore**  
T +65-6684-4718  
sg@hikvision.com

**Hikvision Spain**  
T +34-91-737-16-55  
info.es@hikvision.com

**Hikvision Tashkent**  
T +99-87-1238-9438  
uzb@hikvision.ru

**Hikvision Hong Kong**  
T +852-2151-1761  
info.hk@hikvision.com

**Hikvision Russia**  
T +7-495-669-67-99  
saleru@hikvision.com

**Hikvision Korea**  
T +82-(0)31-731-8817  
sales.korea@hikvision.com

**Hikvision Poland**  
T +48-22-460-01-50  
info.pl@hikvision.com

**Hikvision Indonesia**  
T +62-21-2933759  
Sales.Indonesia@hikvision.com

**Hikvision Colombia**  
sales.colombia@hikvision.com